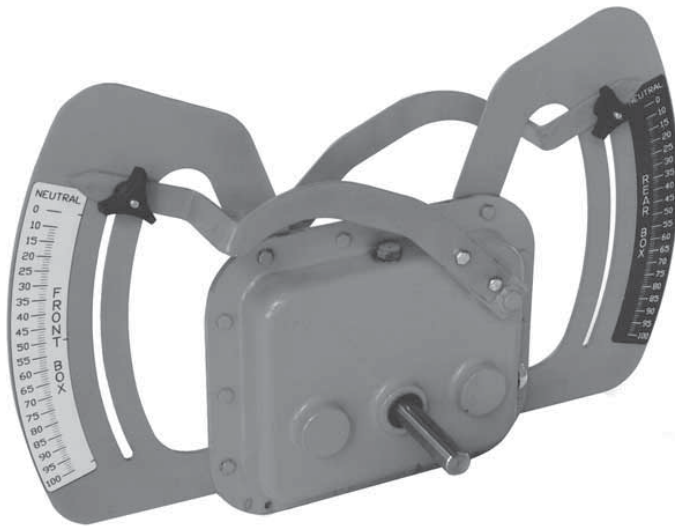


Parts List



'Gearbox'

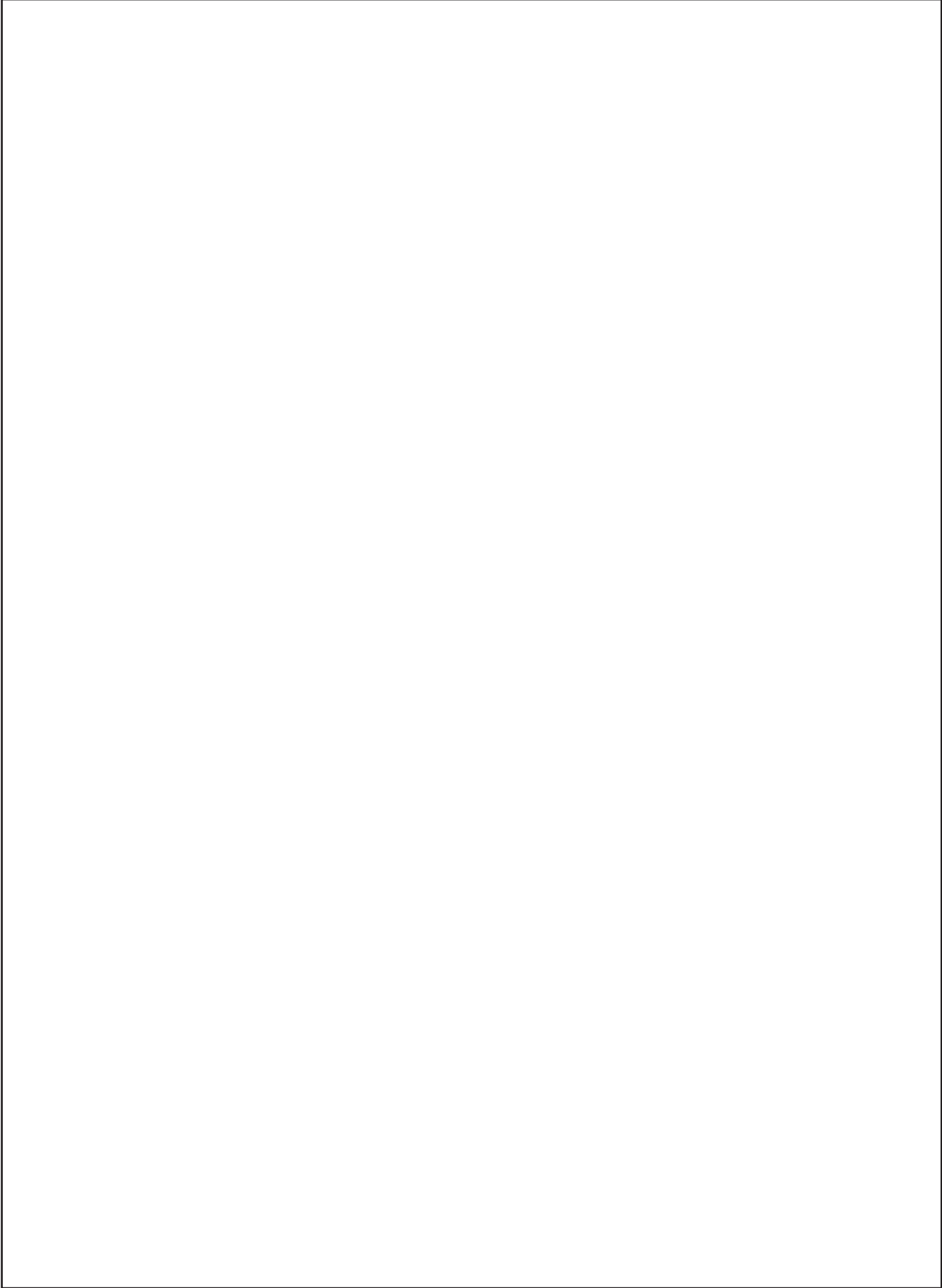


Built to work.

Head Office:
P.O. Box 2018
Hilton Highway, Washdyke
Timaru, New Zealand
Telephone (03) 688 2029
Facsimile (03) 688 2821

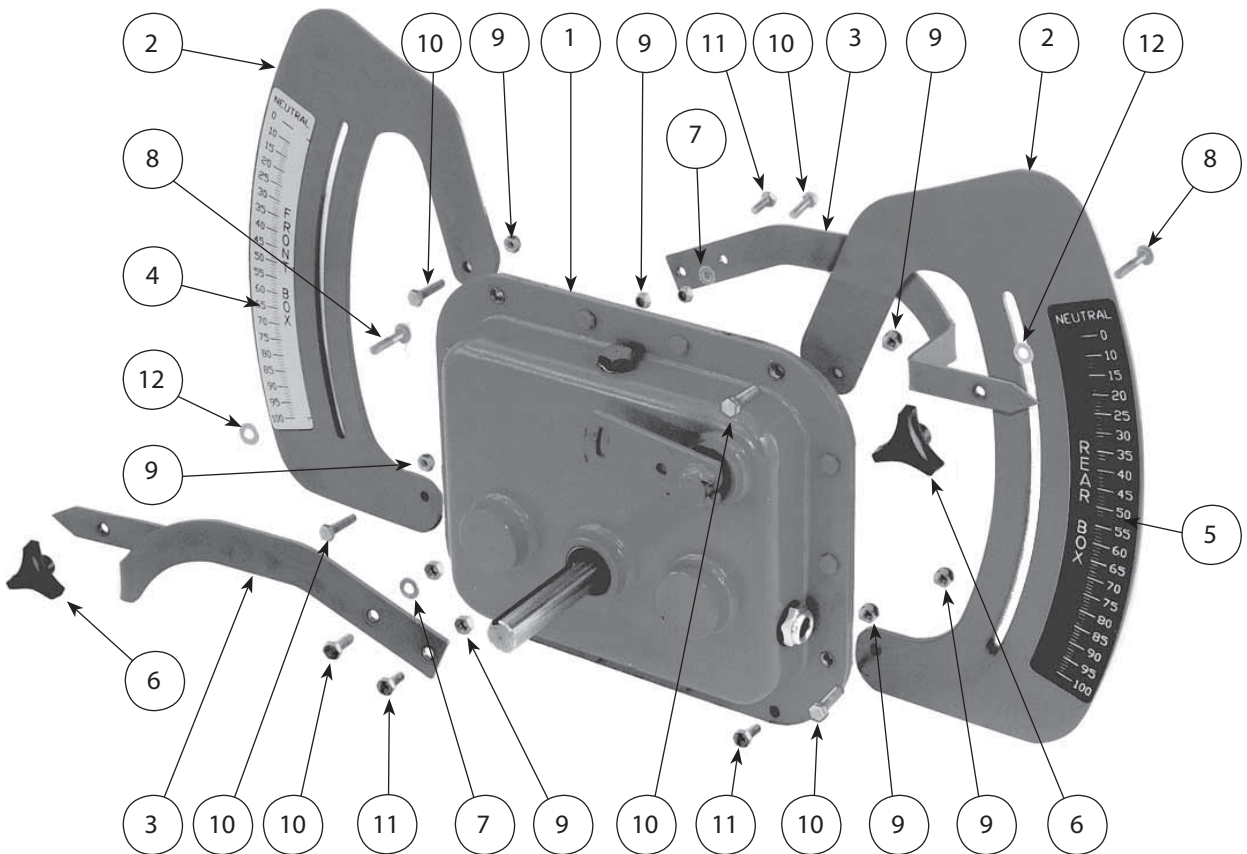
Australian Branch:
4B Silvertown Close
Laverton North 3026
Melbourne, Australia
Telephone (03) 9314-9666
Facsimile (03) 9314-6810

Pt. No. 67393
Issue 0710

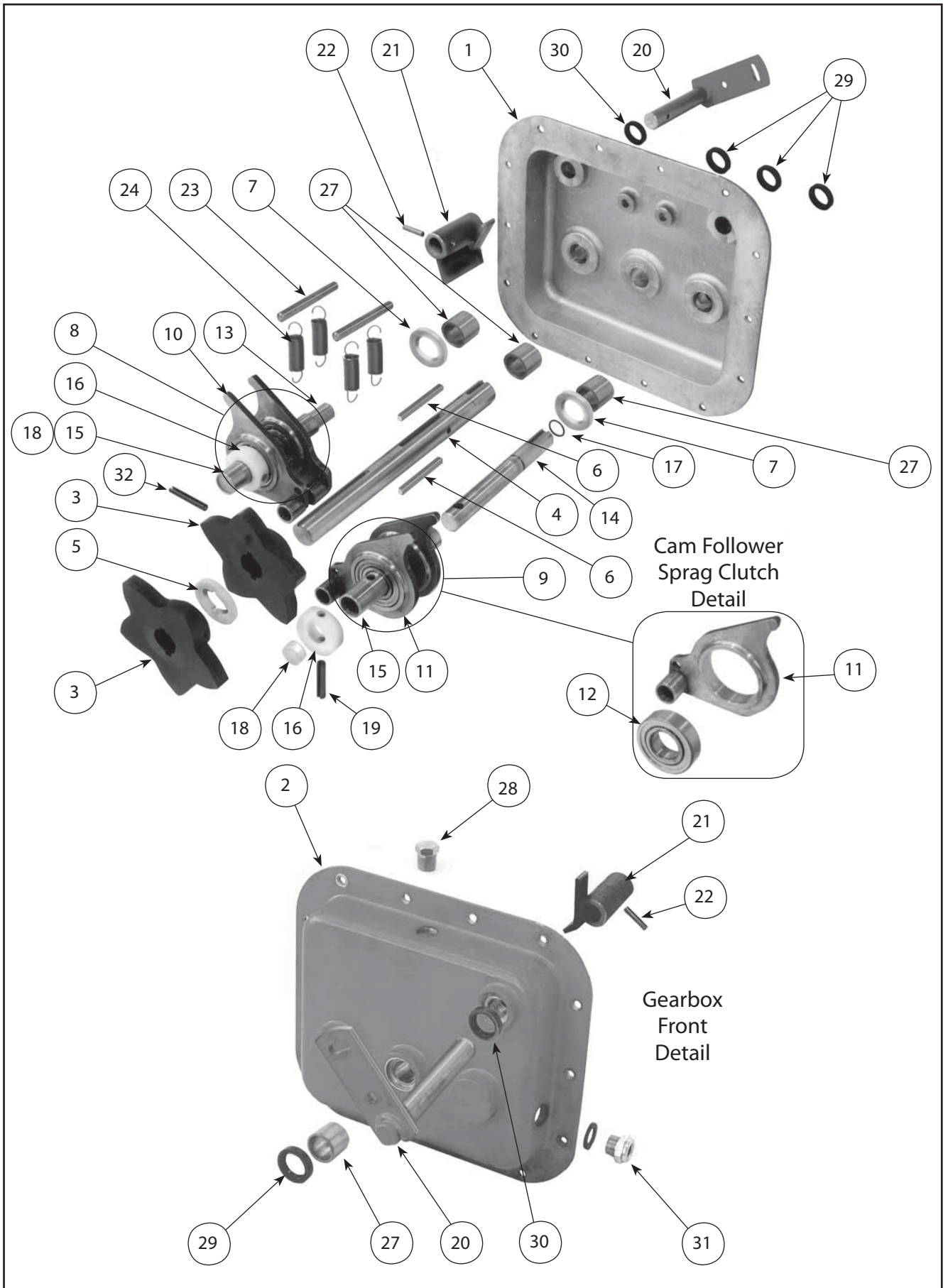


Gearbox Final Assembly

ITEM	PART No.	DESCRIPTION	QTY
1	22053	Gearbox Sub-Assembly	1
2	22036	Speed Adjusting Quadrant	2
3	22038	Speed Adjustment Lever	2
4	22041	Speed Indicator Label Anticlockwise	1
5	22042	Speed Indicator Label Clockwise	1
6	43366	Tri-Knob with M8 Tapped Centre	2
7	45157	M8 Flat Washer Heavy Duty Zinc Plated	2
8	47031	M8 x 30 Cup Head Class 4.6 Coach Bolt Zinc Plated	2
9	45137	M8 Nylock Nut	18
10	45399	M8 x 25 Class 4.6 Zinc Plated Bolt	6
11	45411s	M8 x 20 Class 4.6 Zinc Plated Set Screw	12
12	45151	M8 Light Flat Washer	2



Gearbox Sub-Assembly



Gearbox Sub-Assembly

ITEM	PART No.	DESCRIPTION	QTY
1	22006	Inner Gearbox Housing	1
2	22007	Outer Gearbox Housing	1
3	22009	Drive Cam Machined	2
4	22010	Gearbox Input Shaft -Enviro	1
4	25752	Gearbox Input Shaft -Renovator/EcoSeeder	1
5	22011	Input Shaft Spacer	1
6	22012	Cam Key 6 x 6 x 63 long	2
7	22014	Output Sleeve Spacer Small	2
8	22021	Clockwise Output Sleeve & Follower Assembly Complete	1
9	22022	Anti-Clockwise Output Sleeve & Follower Assembly Complete	1
10	22019	Clockwise Cam Follower Assembly	2
11	22020	Anti-Clockwise Cam Follower Assembly	2
12	43350	Sprag Clutch FK 6205	4
13	22016	Clockwise Output Shaft	1
14	22015	Anti-Clockwise Output Shaft -Enviro	1
14	22016	Anti-Clockwise Output Shaft -Renovator/EcoSeeder	1
15	22005	Output Shaft Sleeve	2
16	22013	Output Sleeve Spacer (Large)	2
17	43365	"O" Ring (ARP-016)	2
18	22004	Cam Follower Plug	2
19	45281	Roll Pin 8.0 Dia x 40 long	2
20	22027	Adjusting Shaft Assembly	2
21	22030	Adjusting Plate Assembly	2
22	45275	Roll Pin 6.0 Dia x 30 long	2
23	22033	Spring Anchor Rod	2
24	22034	Return Spring	4
27	22040	Bronze Bush 25 I.D. x 30 O.D. x 25	6
28	22039	Gearbox Breather Plug	1
29	43354	Oil Seal (CC 25 35 07)	4
30	43355	Oil Seal (CC 20 30 07)	2
31	43356	Sight Glass 1/2" BSP	1
32	45276	Roll Pin 6 Dia x 40 long	1

