



OWNERS MANUAL

**3 Point Linkage
Sidewinder' Hay Feeder
(S.E. Model)**

CONTENTS	PAGE
Introduction.....	3
Acquisition and warranty	3
Operation.....	3
Feeding Out.....	4
Cautions	4
Maintenance.....	4
Spare parts.....	5

Features:

- Feeds out either side with use of unique teaser roller system
- Sheet metal floor ensures all leaf and loose grain drops into window
- Handles all types of round bales and silage
- Hydraulic drive and automatic quick coupling
- Self loading forks
- Strong construction

MODEL:

SERIAL No:

OWNER:

DELIVERY DATE:

DEALER:

Introduction

Your new Feed-out machine will give long and efficient service if given normal care and operated properly. This operators manual is provided so that you can become more familiar with the special features in the design of the machine and to furnish information on correct operation and adjustment and maintenance. A separate illustrated parts section has been provided for the 3pt linkage sidewinder so that if any parts are required your dealer will be able to supply them by reference to part numbers. Right and left hand references in this manual are determined by standing behind the machine and facing the direction of travel.

Acquisition and Warranty

On delivery of your new Feed-out machine please check that the machine is not damaged. In cases of shipping damage, please ask your dealer to arrange for the appropriate claim to be lodged immediately. Assemble any parts supplied loose and inspect your machine with the aid of this manual to familiarise yourself with its features. If you have any queries ask your dealer straight away. The machine is covered by our 12 months warranty on faulty parts subject to normal use.

Operation

Having fitted machine to tractor, pull string to disengage locking latch and drive off. Pick up bale and sit on machine. Re-engage forks into RHS tubes until locking latch clips in. Hydraulic motor drive will automatically engage. Cut and remove strings before feeding out.

Feeding Out

The bales can be fed out either side depending on which way the bale was picked up and also the type of bale. If the bale is very egg shaped it may refuse to turn, rock it from side to side and it will turn over. Once the first few turns are gone the bale should turn freely. Experiment with your machine and see the different effects with the various types of bale (long or short hay, or silage, tight or loose bales, Lucerne grass or straw, bale loaded one way round or other). Note: Some owners have been tempted to lengthen the spikes on the battons to feed out very short bales. This works quite well but does create a problem, when harder bales are fed out the K1 attachment links holding the battons to the chain can be overloaded and may tear off with the tighter bales pulling at the spikes. Any resulting warranty claims will be refused by the manufacturer.

Cautions

- Do not ride on or allow passengers on machine
- Lower machine onto ground when not in use
- Ensure tractor is turned off and machine hydraulics are disconnected when working on machine
- Use only 'Genuine' spare parts
- Keep all nuts and bolts tight
- Watch for moving parts
- Read operators manual carefully

Maintenance

Lubrication

By regular lubrication you will get service from your machine and save on maintenance costs. Grease main drive shaft bearings regularly.

Chains

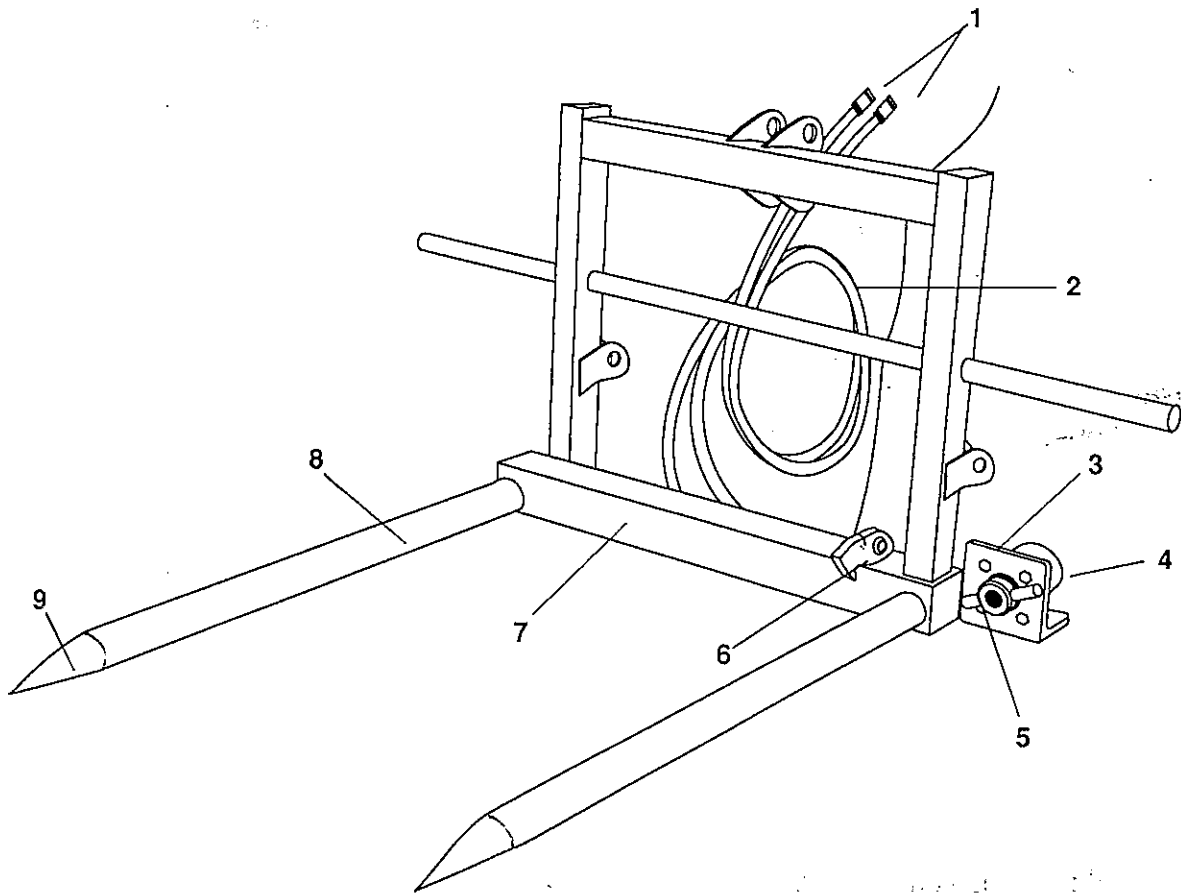
Keep chains free by oiling. If machine is to be stored outside for long periods ensure the chains are well oiled. At start up time carefully move chains to ensure they have not seized and avoid unnecessary damage.

For Chain Tension

Keep floor chains firm. If chains are operated loosely the battons may screw sideways when one chain jumps a tooth on the drive shaft. Note: The machine will still work if this happens but it overloads the K1 attachment links and they will eventually break off. These are time consuming to replace. Use jack screws to adjust. Adjust floor chain drive shaft tension block when adjusting floor chain.

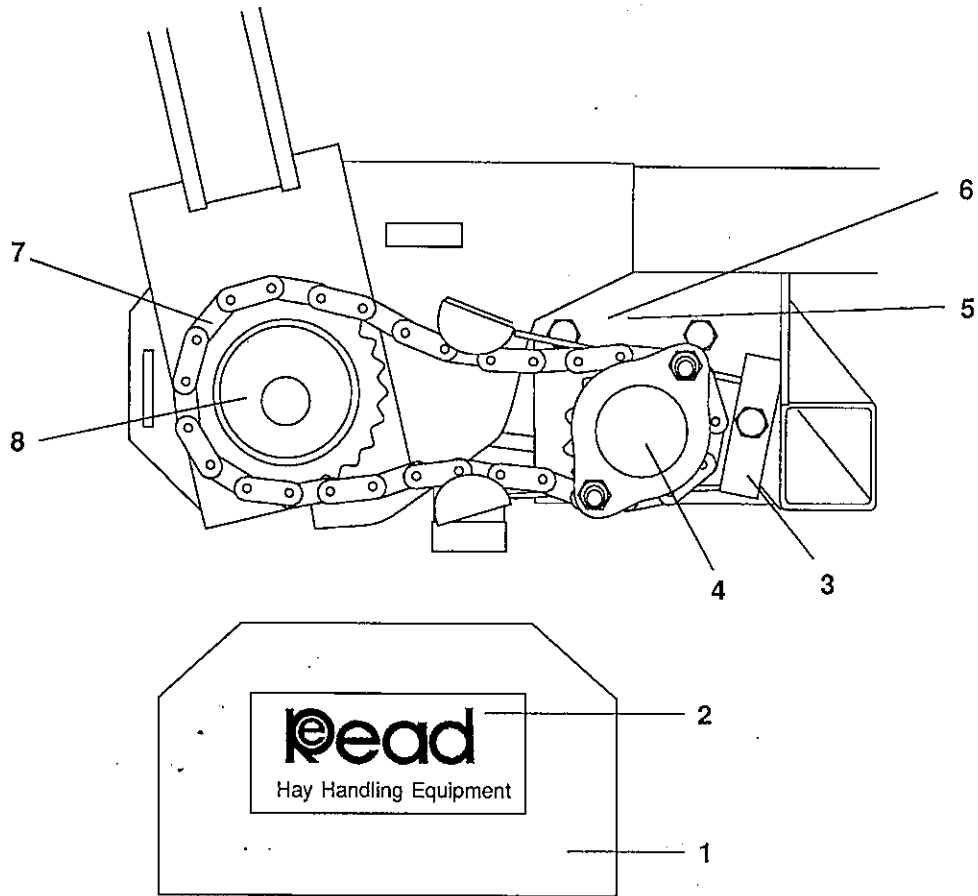
Wishbone Chain Tensioners

Do not allow chains to stretch to the point where the wish bone become ineffective. Remove a link if this happens. When the chains reverse a slack chain has a tendency to jump a tooth. The wishbone tensioner must also be free to pivot on its carrier stud.



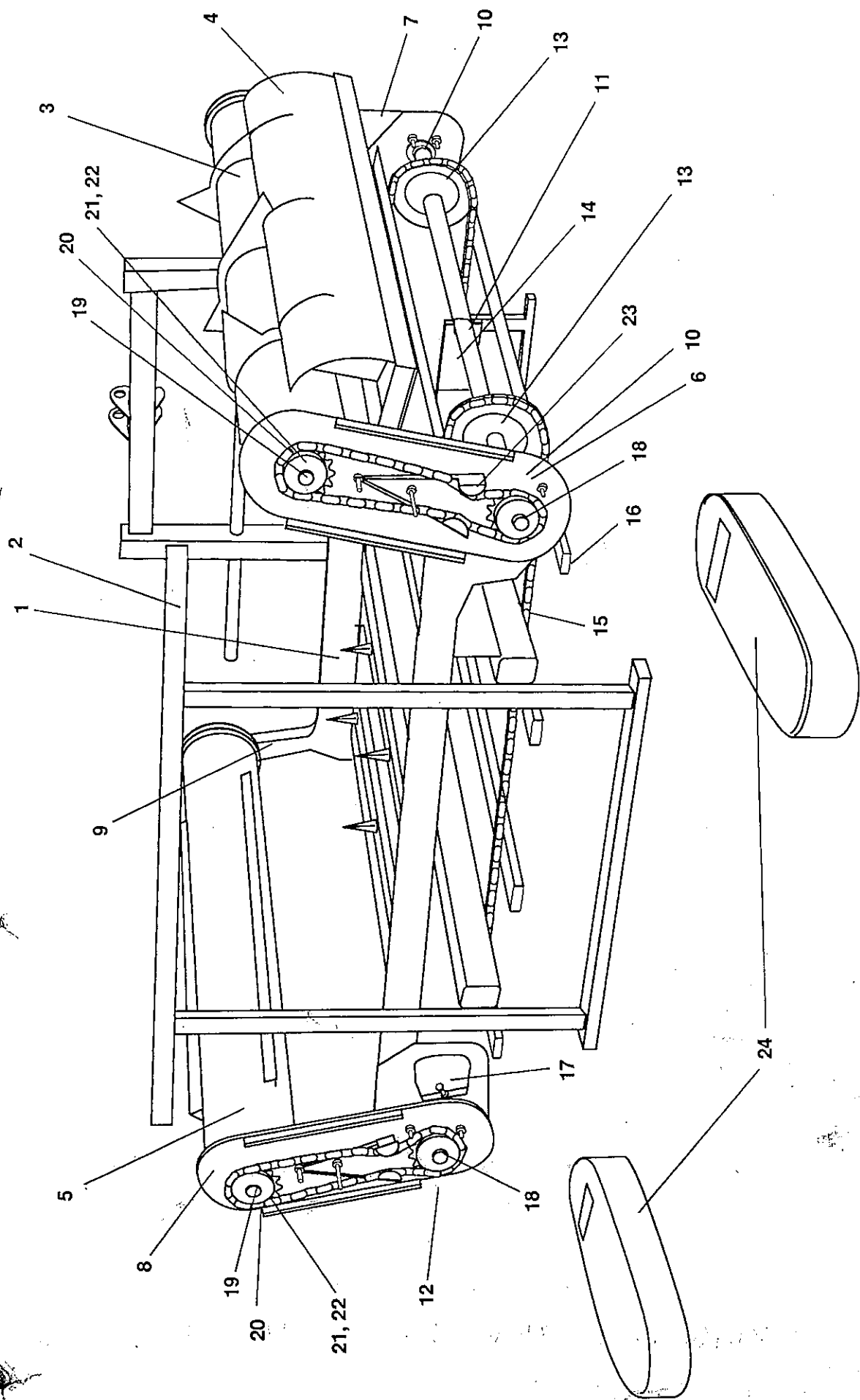
FORKS ASSEMBLY

ITEM	PART NO.	DESCRIPTION
1	43147	1/2" BSP Male coupling
2	30545	Hydraulic Hose
3	43035	7/8" to 3/8" nipple
4	30546	Hydraulic Motor
5	31272	Drive Dog assembly
6	31262	Fork lock hook
	31263	Fork lock spacer
	31264	Fork lock tension spring
	45464	Fork lock pivot bolt (M16x70)
	45160	H.D. Washer
	45140	Nylock nut
7	31525R	Fork frame assembly
8	31512	Fork point assembly
9		Cast fork point
	45169	H.D. spring Washer. (Fork mount bolt)
	45065	H.T. Bolt (M20x65). (Fork mount bolt)
	45292R	Hitch Pin (Export only)
	45295R	Linch Pin (Export only)



DRIVE ASSEMBLY

ITEM	PART NO.	DESCRIPTION
1	31269	Drive Guard
2	43231	"READ" Transfer
3	31285	Chain tensioner and shoe assembly
4	31279	Drive dog shaft assembly
5	30295	Outer bearing bearing
	30296	1 1/2" outer housing
6	30359	Inner bearing housing (Pressed)
	30358	1" Inner Bearing
7	30662	3/4" Pitch chain/link (43 links) - 31247 . COMPLETE
	30668	3/4" Pitch joiner link
8	31251	23 3/4" Pitch x 1 1/4" sprocket



MAIN FRAME ASSEMBLY

ITEM	PART NO.	DESCRIPTION	
1	31330	Feeder Mainframe Assembly	
	31507	Feeder Mainframe Assembly	(Export)
2	31498	Headboard Assembly	(Export)
3	31360	Knife roller Assembly	R.H.
4	31368	Deflector	R.H.
	30747	Knife roller Assembly	L.H. (Optional)
	31368	Deflector	L.H. (Optional)
	31488	Knife roller Assembly	R.H. (Export)
	31492	Deflector	R.H. (Export)
	31487	Knife roller Assembly	L.H. (Export)
	31492	Deflector	L.H. (Export)
	5	31358	Plain Roller Assembly
6	31344	Knife Roller Drive Support	
7	31353	Knife Roller Support	
8	31342	Plain Roller Drive Support	
9	31351	Plain Roller Support	
10	30295	Bearing Housing	
	30296	Bearing	
11	31254	R.H. Floor Shaft Assembly	
12	31256	L.H. Floor Shaft Assembly	
13	30302	13 ^T Cast Gear	
14	31260	Plastic wear Block	
	45440S	Wear Block Adjusting Block	
	45131	Lock Nut	
15	43331	Floor Chain (90 Links)	
	30399	KI Attachment Links	
	30435	Joiner Link	
16	31334	Floor Batten	
17	31287	Floorshaft Adjusting Bolt	
18	31250	23 ^T x 5/8 Pitch x 1 1/4" Sprocket	
19	30605	23 ^T x 5/8 Pitch x 1" Sprocket	
20	30417	5/8" Pitch Chain (73 Links)	
	30669	5/8" Pitch Joiner	
21	30359	Pressed Bearing Housing	
22	30358	1" Bearing	
23	31285	Chain Tensioner and Shoe Assembly	
24	31268	Fibreglass Guard	31552. PLASTIC
	43230	Transfer "Read Sidewinder SE"	
	43231	Transfer "Read"	
	43234	Transfer "Top Farm"	
	43236	Transfer "Chain Tension"	

71. LINK

43610

31466. WEAR STRIP NYLON