



GILTRAP

ENGINEERED PERFORMANCE

RF Series Forage Wagon – All Models

Operating Manual



NEW ZEALAND (HEAD OFFICE)
GILTRAP ENGINEERING LTD
7 Main North Road
Otorohanga 3900

TEL [+64 7 873 4199](tel:+6478734199)
FAX [+64 7 873 8131](tel:+6478738131)
FREE [0800 804 458 \(NZ ONLY\)](tel:0800804458)
GENERAL info@giltrapag.co.nz
PARTS parts@giltrapag.co.nz
WEBSITE: www.giltrapag.co.nz
EMAIL: Info@giltrapag.co.nz

AUSTRALIA
GILTRAP AG EQUIPMENT PTY LTD
105-117 Boundary Road
Laverton North
Melbourne
Vic 3026

TEL: [+61 3 936 96 548](tel:+61393696548)
FAX: [+61 3 936 96 549](tel:+61393696549)
FREE: [1800 127 030 \(AU ONLY\)](tel:1800127030)
SALES: sales@giltrapag.com.au
PARTS: Melboffice@Giltrapag.com.au
WEBSITE: www.Giltrapag.com.au

Part Number: 595-0035

Disclaimer

While every attempt has been made to ensure that information and diagrams in this manual are correct, *Giltrap Engineering Limited* will not be responsible for any damage or consequential loss arising out of misinterpretation or failure to follow recommended procedures; nor will it be liable for any damage caused by or arising out of modification or misuse of its product.

For parts or service enquiries, please use the applicable contacts on the previous page.

Printed August 2023

Copyright © 2023 by Giltrap Engineering Ltd.
Printed in New Zealand

All rights reserved. Reproduction or use, without express permission, of editorial or pictorial content, in any manner, is prohibited.

Table of Contents

Introduction.....	5
Manual Evaluation.....	5
Delivery and Warranty.....	5
Warranty	6
Warranty Claims	6
SERIAL NUMBER IDENTIFICATION	7
General Safety.....	8
Pre-Service Guidelines & Settings.....	11
MAINTENANCE	12
<i>Adjusting the Conveyer Belt</i>	14
GREASING & LUBRICATION	15
<i>Oil and Grease</i>	16
OPERATION.....	16
<i>Loading the Wagon</i>	17
<i>Feeding Out</i>	17
<i>Controlling the Feed-Out Rate</i>	17
<i>Conveyor Belt Speed Control</i>	18
<i>Back Gate Tension Setting</i>	18
HYDRAULIC TROUBLESHOOTING GUIDE – SIDE DELIVERY MODELS.....	19
HYDRAULIC TROUBLESHOOTING GUIDE – CENTRE FEED MODELS	22
Parts Section	25
TRANSFERS & LABELS.....	27
HYDRAULIC CONTROL VALVE – 1899B	29
HYDRAULIC CONTROL VALVE – 1918	30
JACK ASSEMBLY – MODEL 4	31
SIMOL JACK.....	33
RIMA JACK	34
CONVEYOR BED ASSEMBLY	35
CONVEYOR BED 1200MM ASSEMBLY.....	37
<i>Conveyor Bed 1200mm Parts list</i>	38
CONVEYOR SLAT & CHAIN 900/1200.....	39
<i>Conveyor Slat & Chain 900/1200 Parts List</i>	40
HD CROSS CONVEYOR EXTENSION	41
HD CROSS CONVEYOR EXTENSION HYDRAULIC CONNECTION	43
VALVE ADJUSTER ASSEMBLY (MANUAL CONTROL).....	43
REAR GATE ASSEMBLY	45
ELEVATOR ASSEMBLY.....	47
PANELS, GUARDS & COVERS.....	49
FLOOR TRANSMISSION – RF9 & RF11	51
FLOOR TRANSMISSION – RF13	54
FLOOR TRANSMISSION – RF16	56
FLOOR TRANSMISSION – RF19 & RF21	58
REAR FLOOR IDLER ADJUSTER ASSEMBLY.....	60
REAR FLOOR DRIVE ASSEMBLY – RF11	62
REAR FLOOR DRIVE ASSEMBLY – RF13 & RF16	64
REAR FLOOR DRIVE ASSEMBLY – RF19 & RF21	66
SINGLE AXLE ASSEMBLY – RF9	68
TANDEM AXLE ASSEMBLY – RF9 & RF11	69
TANDEM AXLE ASSEMBLY – RF13 & RF16	70
TANDEM AXLE ASSEMBLY – RF19 & RF21	71

RF Forage Wagon Operating Manual

MONROC HUBS.....	72
60x60 Stub	72
300x60C Stub.....	73
70x70 Stub	74
300x70C Stub80x80 Stub	75
300x80C Stub.....	77
HUB ASSEMBLY – ADR.....	78
HUB ASSEMBLY – TIZETA	80
BRAKE HOSE AND CYLINDER CONFIGURATIONS RF16	82
BRAKE HOSE AND CYLINDER CONFIGURATIONS RF21	83
HYDRAULIC HOSES (EXCLUDING SIDELIFT MODELS).....	84
HYDRAULIC HOSES – SIDELIFT MODELS	85
SIDELIFT HYDRAULIC RAM	86
SIDELIFT ASSEMBLY.....	87
RF25	88
REAR GATE ASSEMBLY	89
<i>Rear Gate Parts list</i>	90
FOUR CHAIN ELEVATOR ASSEMBLY RF25	91
<i>4 Chain Elevator parts list RF25</i>	92
PANELS, GUARDS & COVERS.....	93
<i>Panels, Guards & Covers Parts List</i>	93
FLOOR TRANSMISSION.....	95
<i>Floor Transmission RF25 Parts list</i>	96
REAR FLOOR DRIVE ASSEMBLY	97
<i>Rear Floor Drive Assembly Parts List</i>	97
RF25 BRAKE HOSE AND RAMS.....	99
TANDEM AXLE ASSEMBLY RF25	100
ADR 21.5T SPRUNG BOGIE	101
<i>ADR 130mm Axle Brake Configuration</i>	102
<i>ADR 1360 8 Leaf Bogie</i>	103
<i>ADR 1500 9 Leaf Bogie</i>	104
<i>ADR Steering Axle Assembly</i>	105
<i>Steering Axle parts list</i>	106
Notes:.....	108

Introduction

Thank you for purchasing a Giltrap product. *Giltrap Engineering Ltd* has enjoyed a long-standing success with their machinery. We would like you to enjoy the benefits of owning a Giltrap too. By following the guidelines laid out in this book, you will ensure trouble free, low maintenance operating for years.

Giltrap Engineering Ltd is a progressive company which continually strives to satisfy your needs, so we welcome any feedback which you can provide to help us improve our products and services and to ensure that they perform to your expectations. Any constructive comments about this operator's manual are also welcome.

Your machine has been designed to perform its task efficiently and with a minimum of maintenance. This handbook provides safety guidelines, instructions, maintenance requirements and parts listings. We recommend that you read the entire handbook, before operating the machine as this will enable you to take full advantage of your new machine's considerable potential.

Manual Evaluation

We update our operating manuals regularly. Your suggestions for improvement help us to create even more user friendly manuals. Send your suggestions by email to admin@giltrapag.co.nz.

Delivery and Warranty

Before you begin to use your machine, please check it to make sure there is no delivery damage. If damage is evident, contact the dealer who supplied the machine so that they can make the appropriate claims.

If you have any other queries, please contact your dealer or *Giltrap Engineering Ltd* (0800 80 GILTRAP).

All Giltrap products are covered by a 24-month warranty on parts and labour, subject to normal use.

Please fill in the details below for future reference.

Model:

Serial No:

Delivery Date:

Dealer:

Warranty

The Goods specified in the Price List as designed and supplied by Giltrap Engineering Ltd are warranted against faulty workmanship and defective materials for a period of 24 months from the date of purchase. In addition to the primary 24 month warranty for Giltrap products, there is a further 12 month structural warranty for the goods, against faulty workmanship and/or defective materials for structural items only. The structural warranty does not apply to electronics or component parts.

Such warranty is subject to the following conditions:

1. This warranty covers the repair or replacement of parts or machinery sold by the manufacturer and damaged as a result of the faulty workmanship or materials in such parts or machinery. It does not extend to any other loss or damage including consequential loss or damage or loss to other property or persons.
2. Without limiting the generality of paragraph 1 above, this warranty does not cover the following:
 - (a) Travel expenses.
 - (b) Damaged caused by accident, misuse or abuse.
 - (c) Damage to any goods which have been altered or modified by someone other than the manufacturer or its authorised agent.
 - (d) Damage or loss to the goods due to their unsuitability for any particular use or for using with any particular tractor except where such use or tractor had been specifically approved by the manufacturer.
 - (e) Damage or loss where the fitting and installation of the goods were not carried out by the manufacturer or its authorised dealer.
3. Procedure for recovery under warranty.

No loss or damage will be covered by this warranty unless the loss or damage is reported immediately to the dealer (who will contact the distributor who will advise whether it is covered by the warranty and undertake the necessary action).

No warranty repair work is to be undertaken prior to an order number being obtained.

This warranty shall be interpreted according to the laws of New Zealand and the parties agree to submit to the jurisdiction of the Courts of New Zealand.

Warranty Claims

If you wish to make a claim under warranty:

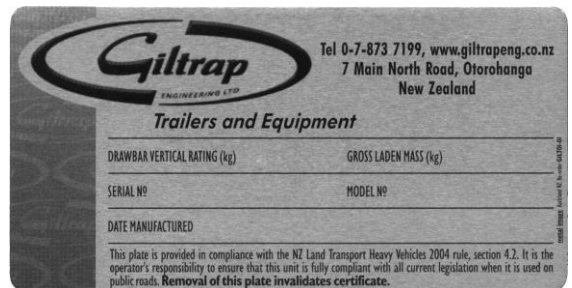
- Immediately stop using the machine.
- List details of the machine and damaged item including serial numbers and date of purchase.
- Consult with your Giltrap dealer (supplier) and have him forward your claim and the damaged item to Giltrap Engineering Ltd.

No warranty to be undertaken unless an order number is obtained from the Seller (Giltrap Engineering Ltd) prior to any work being done.

Serial Number Identification

Before ordering any parts, check the serial number and the delivery date of the machine and include this information with all orders.

If the Serial Number Plate is missing, the serial number will be stamped on the front of the drawbar or on the top of the drive reduction box on Sidelift models.



Serial number stamped onto chassis here



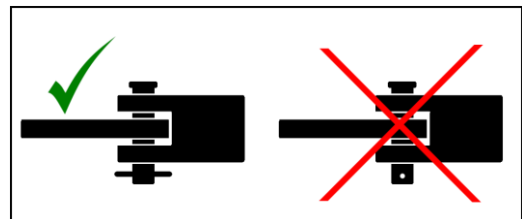
General Safety

For the safety of others and yourself, please read and follow the precautions in this operator's manual. Pay particular attention to the following safety aspects of operating machinery.

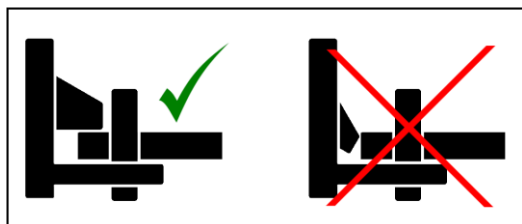
Do not ride on or allow passengers on the machine.



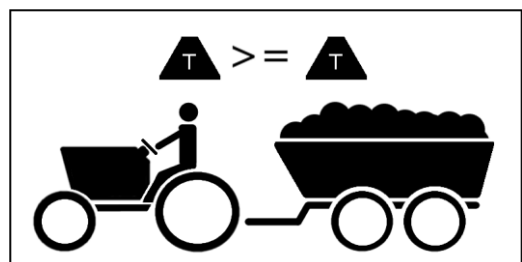
Always use a recognised hitch pin with a safety clip to hook trailed implements on behind the tractor.



Always ensure when using a quick hitch that the locking tab has come out and is in the locked position before moving.



When pulling trailed implements or loads, be sure to use a tractor of greater or equal weight than the combined weight of the load and trailer.



Carry a suitable fire extinguisher.

A fire can ignite under certain conditions, so please take the following precautions:

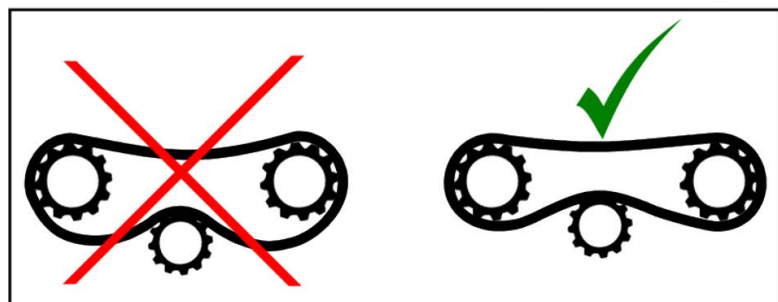
- After running your machine for a short time, check for defective bearings. A faulty bearing can become very hot, eventually discolouring, requiring immediate replacement.
- Do not allow combustible material to accumulate inside guards or around rollers and other moving parts.
- If your machine becomes blocked, stop immediately and remove the obstruction.
- Be careful when operating in hot or dry conditions or on extreme fire risk days.



Never operate your machine without the safety guards in place.



All chains should be properly adjusted and replaced when necessary.



Release all hydraulic pressure from implements before commencing service work. Never look for suspected oil leaks with your hands or body - use a piece of cardboard instead.

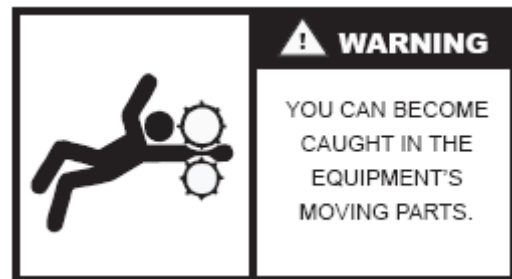
Any fluid that penetrates the skin will have to be removed immediately by a medical expert. Seek specialist advice on this type of injury.



Never attempt to unblock equipment while it is still operating.

Always disengage power take-off, hydraulics and shut down engine before removing materials, checking or servicing.

Failure to follow these precautions is likely to result in serious injury.



Wear proper protective clothing. Loose attire can easily be snagged by rotating machinery resulting in serious injury or death.



Pre-Service Guidelines & Settings

Prior to delivering your machine, your dealer should have completed a pre-delivery check. It is required to check the following points before using the machine for the first time.

- CHECK FLOOR CHAIN TENSION. A simple check is to stand in the bin and exert a strong pull at the centre of the floor. There should be approximately **75mm (3")** of vertical movement in this area.
- CHECK ELEVATOR CHAIN TENSION. Exert a pull at the mid-point of the elevator face. If necessary, adjust for approximately **35mm (1-1/2")** of movement from rest towards the rear of the wagon.
- CHECK ALL TRANSMISSION CHAINS. These should have some slack. The factory settings should be okay.
- CHECK ALL WHEEL NUTS ARE SUFFICIENTLY TIGHT.

Wheel Nut Recommended Torque Settings

M18 - 200 ft/lbs or 270Nm
M20 - 280 ft/lbs or 380Nm
M22 - 330 ft/lbs or 450Nm



- CHECK ALL TYRE PRESSURES ARE CORRECT.

Recommended Tyre Pressures

11.5/80-15.3	58psi	4.0 bar
400/60-15.5	50psi	3.5 bar
15.0/70-18	45psi	3.1 bar
400/55-22.5	46psi	3.2 bar
500/45-22.5	35psi	2.4 bar
500/60-22.5	35psi	2.4 bar
560/45R22.5	58psi	4.0 bar
560/60R22.5	58psi	4.0 bar
650/55R26.5	58psi	4.0 bar



- CHECK ALL AXLE MOUNTING BOLTS AND NUTS ARE SUFFICIENTLY TIGHT.

Axle Mounting Bolt Recommended Torque Settings

M16 - 180 ft/lbs or 245Nm
M20 - 355 ft/lbs or 480Nm



- THE CONVEYOR BELT ON SIDE DELIVERY MODELS should be checked for alignment and tension, and adjusted if necessary to ensure it is tracking correctly. See page 10 for information on conveyer belt adjustment.
- THERE ARE SEVERAL GREASE POINTS on all Giltrap wagons. Check the yellow label on the side of your machine to see how many grease points there are. You should fully grease everything before running it for the first time. See 'Greasing & Lubrication' section for lubrication details.
- CHECK AND RETIGHTEN WHEEL NUTS AFTER:
 - First use
 - First laden journey
 - The first 50 hours of use and every 50 hours thereafter

Maintenance

Tension all chains as per the pre-service guidelines. The location of the floor chain tension adjuster is at the rear of the machine and is shown in Fig.1.



Figure 1

Transmission chains have floating arms with a nylon bush contacting the chain. Chain slack can be removed by adjusting the nylon blocks in the slotted holes (Fig.2 B). Bearings are greased via a central greasing location (Fig.2 A).

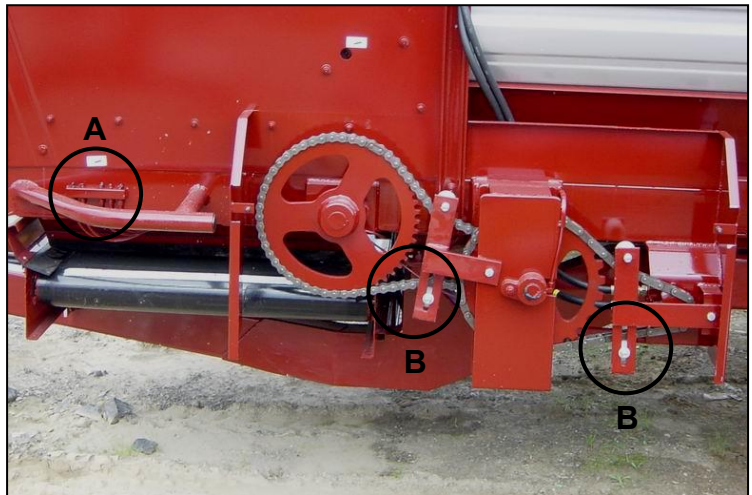


Figure 2

The back gate is protected by a crash lock mechanism that can be opened manually by pulling on the handle shown; otherwise the gate will open under pressure applied by a reversing load on the floor. The load setting of the crash lock system can be adjusted by removing the end cap fitting which encloses a compression spring that applies pressure to the ball bearing that locks the handle in place. The adjustment is made via a threaded adjuster within the spring assembly. Replace the end cap after adjusting.



Figure 3

RF Forage Wagon Operating Manual

The easiest way to check and service the floor and elevator chains is from inside the bin.

Access through the back gate is made simple by using the stay provided to hold the back gate open (Fig.4)

It may be necessary to loosen the nyloc nut on the stay slightly on a new machine, as this is tightened for delivery purposes.



Figure 4

An important feature of the RF series wagons is the ability to adjust the position of the cross conveyor assembly relative to the chassis.

This is done by loosening the 2 clamps at the front of the machine (Fig.5).

A positioning bracket is also located under the conveyor bed. This will need removing before the bed can be moved.

If the optional 'side-shift' ram is fitted, bed movement can be done from the tractor seat via hydraulics.



Figure 5



CAUTION: Do not stand in the bin or near the shredder elevator while the machine is running.

Adjusting the Conveyor Belt

The side delivery belt is set up and adjusted at the factory before delivery; however it is usual after a period of time to notice the belt running off centre. This is normal and is caused by belt stretch or movement under load.

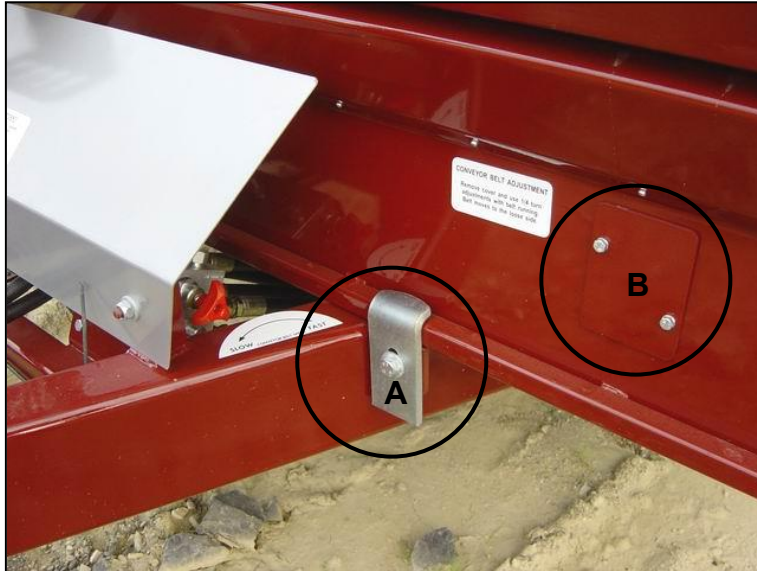


Figure 6

Remove the cover plate (B) from the front of the conveyor bed and you will see a locking nut and an adjusting nut. Slacken off the lock nut before adjusting. For access to the adjuster at the rear of the conveyor bed, it may be necessary to slide the bed out 300mm (12") from its retracted position. The bed clamps (A) may need loosening for this to be achieved.



Figure 7

Turn the nuts $\frac{1}{4}$ turn at a time with the conveyor running, until the belt runs true again. You should either loosen one adjuster slightly, or tighten the other, or a combination of both. Tighten the locking nut after completion.

All adjustments must be made with wagon running, preferably empty. Only adjust $\frac{1}{4}$ of a turn at a time and run for at least 2 minutes between adjustments. THE BELT WILL RUN TO THE LOOSE SIDE.



DO NOT OVERTIGHTEN - THIS WILL CAUSE A POWER LOSS!

Greasing & Lubrication

Greasing & Lubrication Schedule

- Elevator Sprockets** – Grease every 5 loads
- Floor Shaft** – Grease every 10 loads
- Floor Idler Sprockets** – Grease every 10 loads
- Axle Bushes** – Grease every second day
- Wheel Hubs** – Grease every 3 months
- Conveyor Bed Bearings** – N/A (sealed bearings)
- Rear Gate Latch** – Grease every 3 months
- Floor Reduction Bearings** – Grease monthly
- Floor Reduction Chain** – Oil every month
- Jack Stand** – Grease monthly

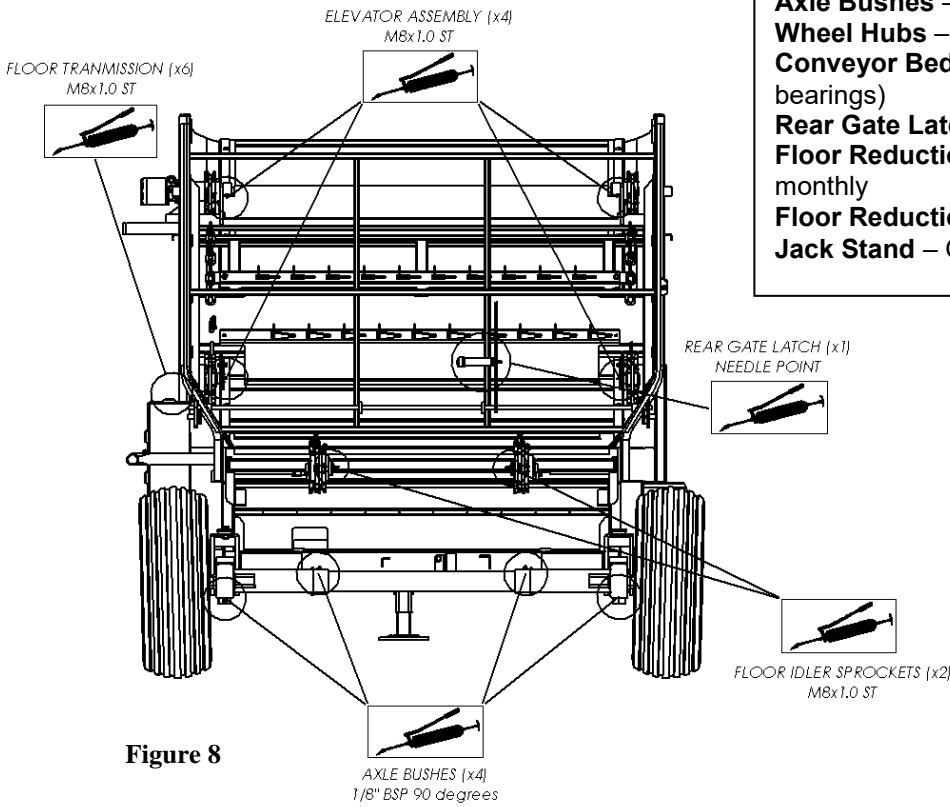


Figure 8

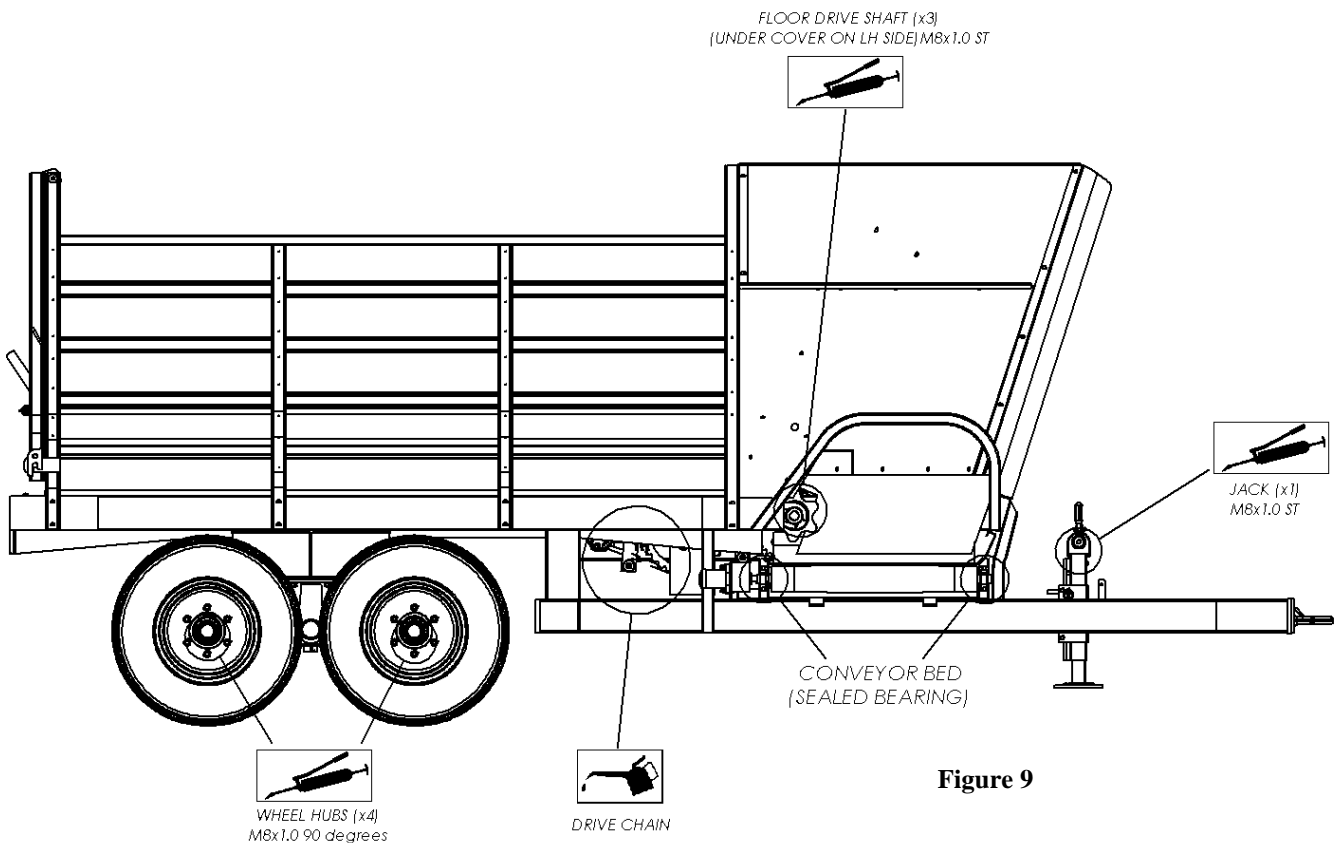


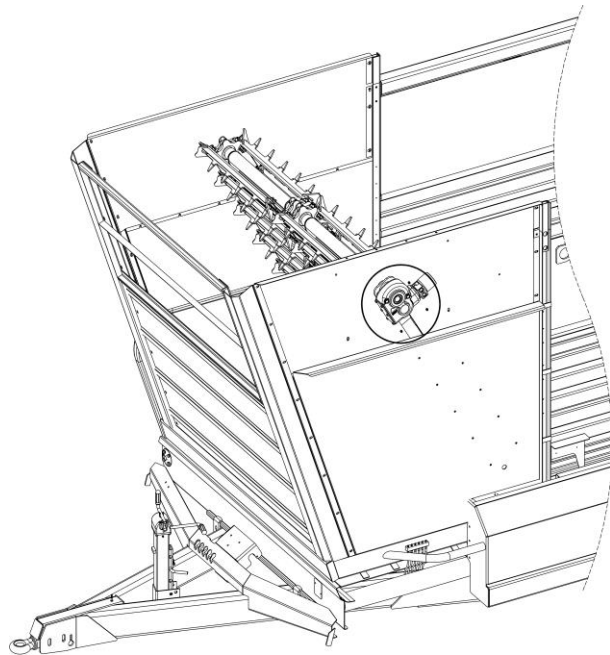
Figure 9

Oil and Grease

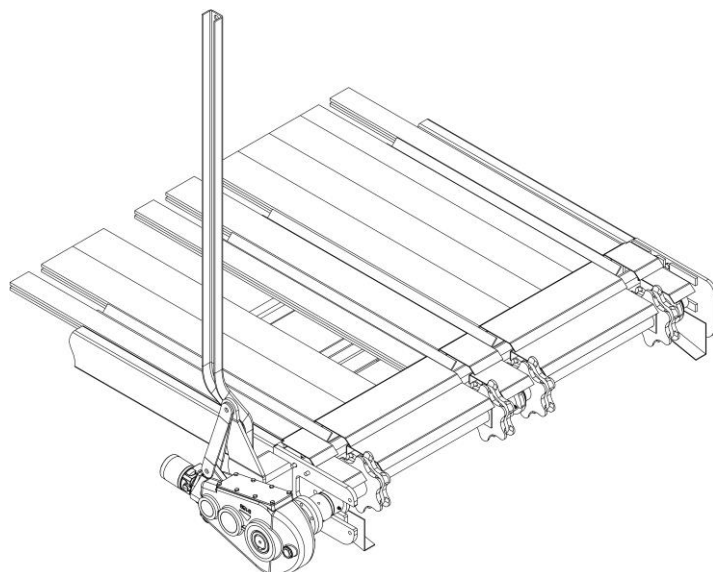
Grease Grade Recommended
NLGI 2 oil based

Elevator Gearbox
Type: BERMA RT160 G/BOX 8980
Oil: GL-5 80w-90

Four Chain
Elevator only



Rear floor drive
Type: BERMA RT400-55 G/BOX 35.2:1 9159
Oil: GL-5 80w-90



Operation

If the machine is fitted with RF (radio frequency) cab control, consult the separate manual for specific operation instructions.

Loading the Wagon

Load the wagon from the rear to the front. When difficult material has to be handled, eg long, wet silage, load the material in sections. It may sometimes be necessary to reverse the load a short distance and then bring it forward again to present a new face to the elevator. Note: reverse the floor by pushing the hydraulic lever on your tractor in the opposite direction.

Feeding Out

Best feeding out conditions occur when the wagon is freshly loaded. If left loaded overnight, the material can settle into a hard mass that becomes difficult to feed out. The practice of leaving a load in the machine for hours before feeding out will also accelerate the deterioration of the wagon because of the acidic nature of the material.

Controlling the Feed-Out Rate

This is done from the tractor cab or by using the override knob mounted on the valve (if fitted with RF control) or remotely on the drawbar, (if no RF control is fitted). This adjusts the load pressure that the valve uses to start and stop the floor automatically. When you have adjusted the feed-out rate to your requirements, the valve will maintain an even flow of material to the elevator by automatically adjusting the floor speed. As the wagon empties the floor will automatically speed up to its maximum speed. If the elevator chain stalls from overloading, reduce this setting.

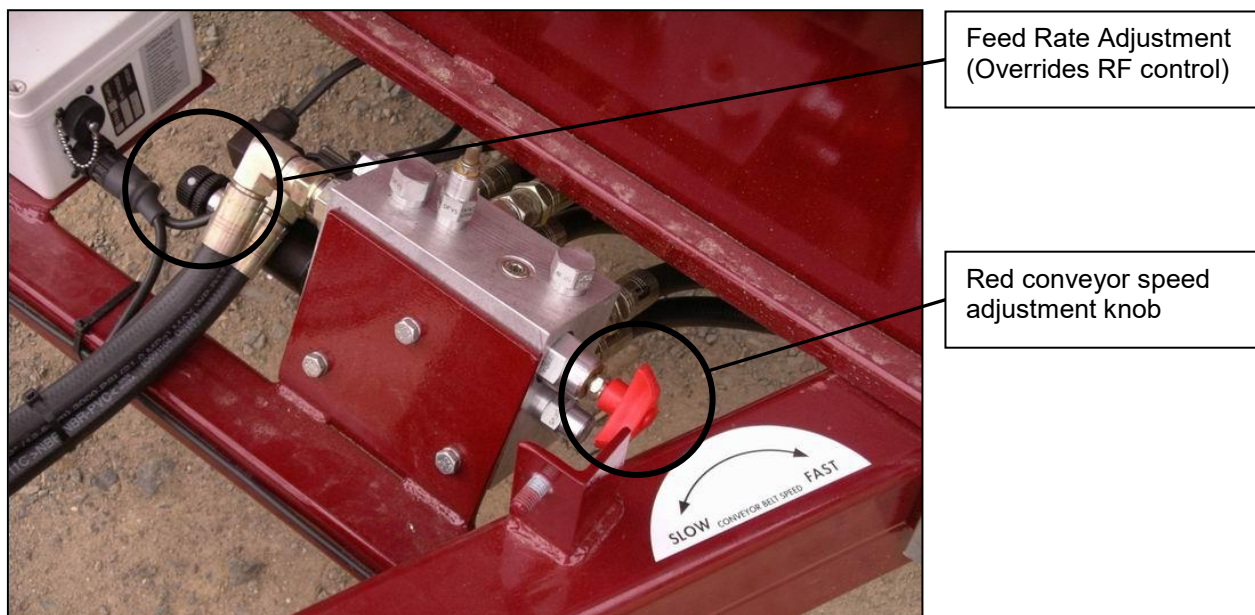
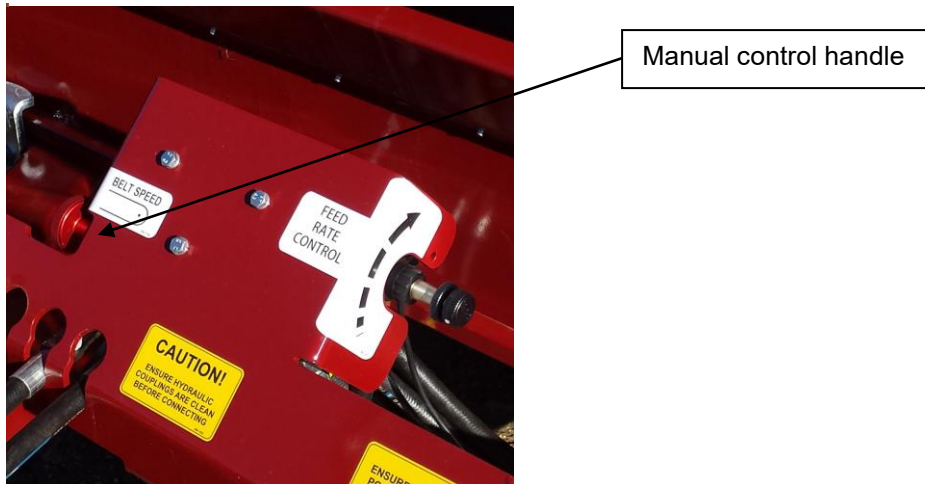


Figure 10



Conveyor Belt Speed Control

Side delivery models have independent belt speed control that is adjusted using the knob shown (Figure 10). This adjustment can only be made with the tractor hydraulics disengaged. The conveyor belt takes priority oil flow. You can run the belt only to clear it by running the tractor at idle or by feathering the hydraulic control lever on tractors with high oil flow. As the oil flow increases, the elevator and floor will begin to operate.

Back Gate Tension Setting

The back gate is protected by a crash lock mechanism (Figure 11) that can be opened manually by pulling on the handle shown; otherwise the gate will open under pressure applied by a reversing load on the floor. When harvesting silage, adjust the tension of the latch so it will open without breaking.

The load setting of the crash lock system can be adjusted by removing the end cap fitting which encloses a compression spring that applies pressure to the ball bearing that locks the handle in place. The adjustment is made via a threaded adjuster within the spring assembly. Replace the end cap after adjusting.



Figure 11

Hydraulic Troubleshooting Guide – Side Delivery Models



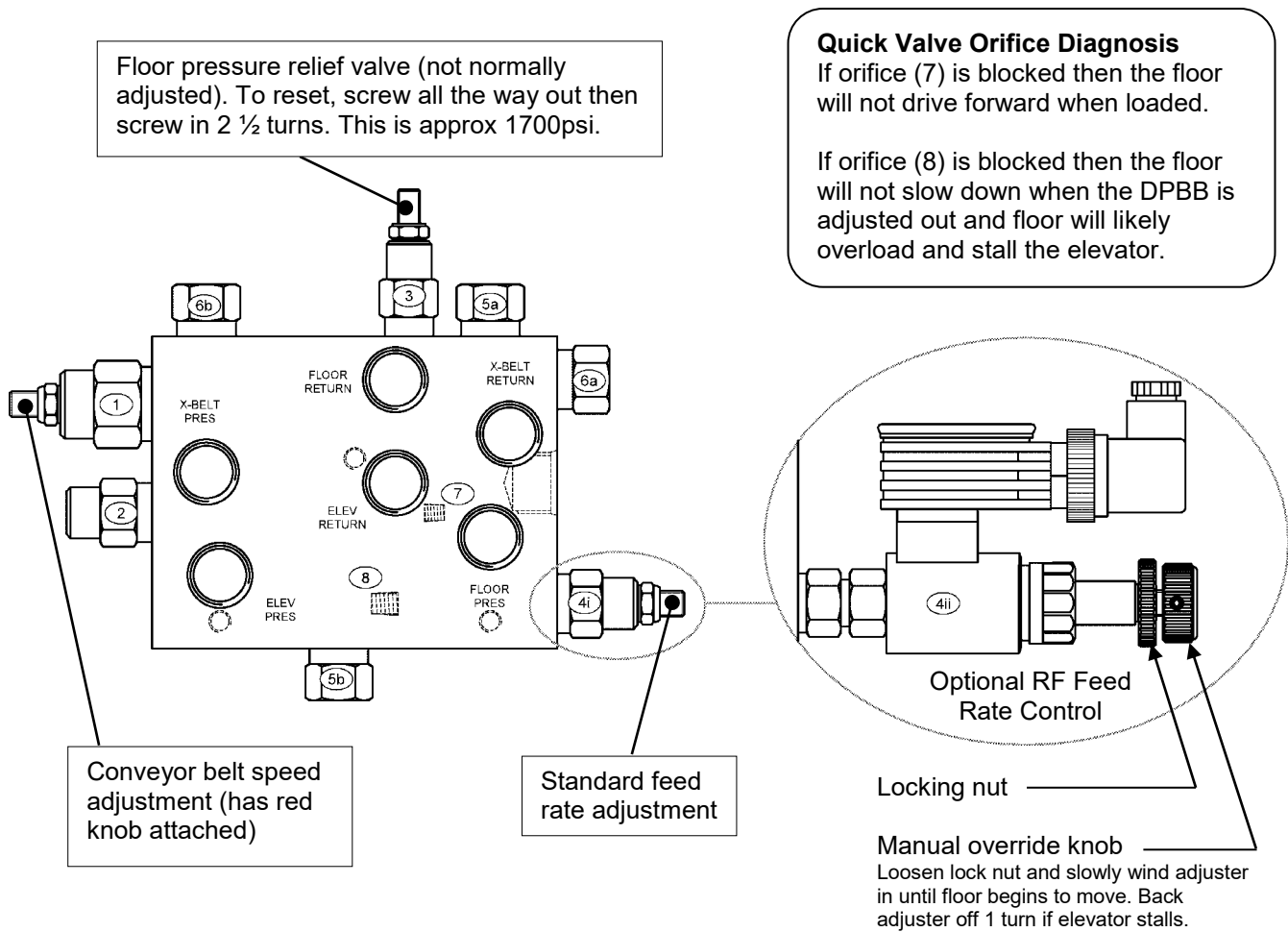
When using the guide, it has been assumed that the tractor has been checked to provide a oil flow rate of between 30 and 60 litres per minute at full working pressure, usually between 2500psi (170 bar) and 2800psi (190 bar). If these conditions are not satisfied, the forage wagon will perform poorly or not at all.

If RF Control is fitted to the machine, follow all diagnostic procedures with the system in Standard (STD) mode unless otherwise requested.

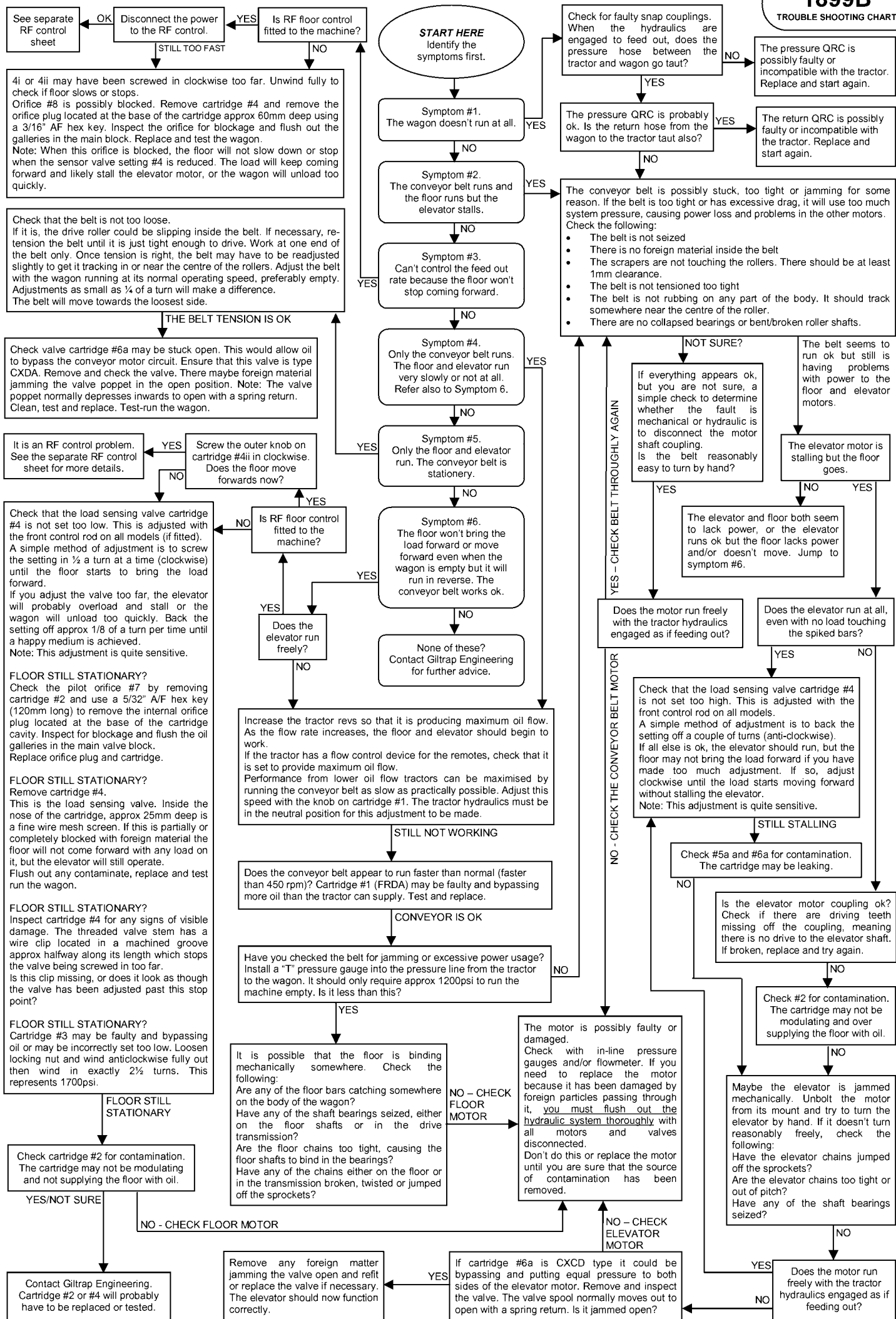
Technical Notes:

- To allow for lower flow tractors (30l/min and below), cartridge #6a can be changed with other types of valve cartridges to change the floor and elevator motor circuit from a parallel to a series type circuit to reduce the oil flow requirement. Please note that this arrangement will cause the machine to run with acceptable speed but reduced power compared to the parallel circuit.
- Cartridge #6a (as fitted as standard) is a check valve (CXCD) for a permanent series connection between the floor and elevator motors. By replacing this with a cavity blank (XFOA) permanent parallel connection is achieved.
- By replacing cartridge #6a with a free flow reverse needle valve (NCCB), it is possible to convert the circuit between series and parallel in the field by winding fully in for series or fully out for parallel.
- Changing cartridge #6b from CXCD to SCCB (set @ 1500psi) will provide pressure relief when the floor is reversed. When relief pressure is reached, the conveyor belt will begin to operate in reverse.
- Machines that develop or operate with a jerking or shuddering action can be rectified by fitting a non-standard inline valve (SCCB 154Z P8) with relevant fittings between the port marked 'ELEV PRES' and the elevator motor. This preloads the hydraulic circuit and smoothes the operation.

1899B Valve Layout



Position	Qty	Supplier Part #	Description	Setting
1	1	FRDA LAN	Flow Control (3.6mm)	16 lpm
1(a)	1	KNOB547B-1	Tri-Knob 3/8" UNF (not shown)	
2	1	LHDA XEN	Flow Compensator	
3	1	RDBA LWN	Floor Relief Valve	1700 psi
4i	1	DPBB LAN	Sequencing Element N.C.	2000psi
4ii	1	DVBB 8FN	Sequence Element Integrated T-8A	
	1	RBAP LAN	Proportional Pilot Relief	
	1	770 212	Coil	12VDC
	1	991 211	Knob	
	1	LEPP 221	Solenoid Driver (not used with Gen II)	4-20mA
5 (a & b)	2	CXDA XAN	Check Valve	4 psi
6(a)	1	CXCD XAN (std)	Check Valve (for perm. series conn.)	4 psi
6(a,i)	1	XFOA XXN	Cavity Blank (for perm. parallel conn.)	
6(a,ii)	1	NCCB LCN	Needle Valve (for selectable conn.)	
6(b)	1	CXCD XAN (std)	Check Valve	4 psi
6(b,i)	1	SCCB LAN	Sequence Valve (see note on prev. pages)	1500psi
7	1	1/16" NPT x 0.8mm	Dampening Orifice	
8	1	1/8" BSPT x 0.8mm	Dampening Orifice	



Hydraulic Troubleshooting Guide – Centre Feed Models



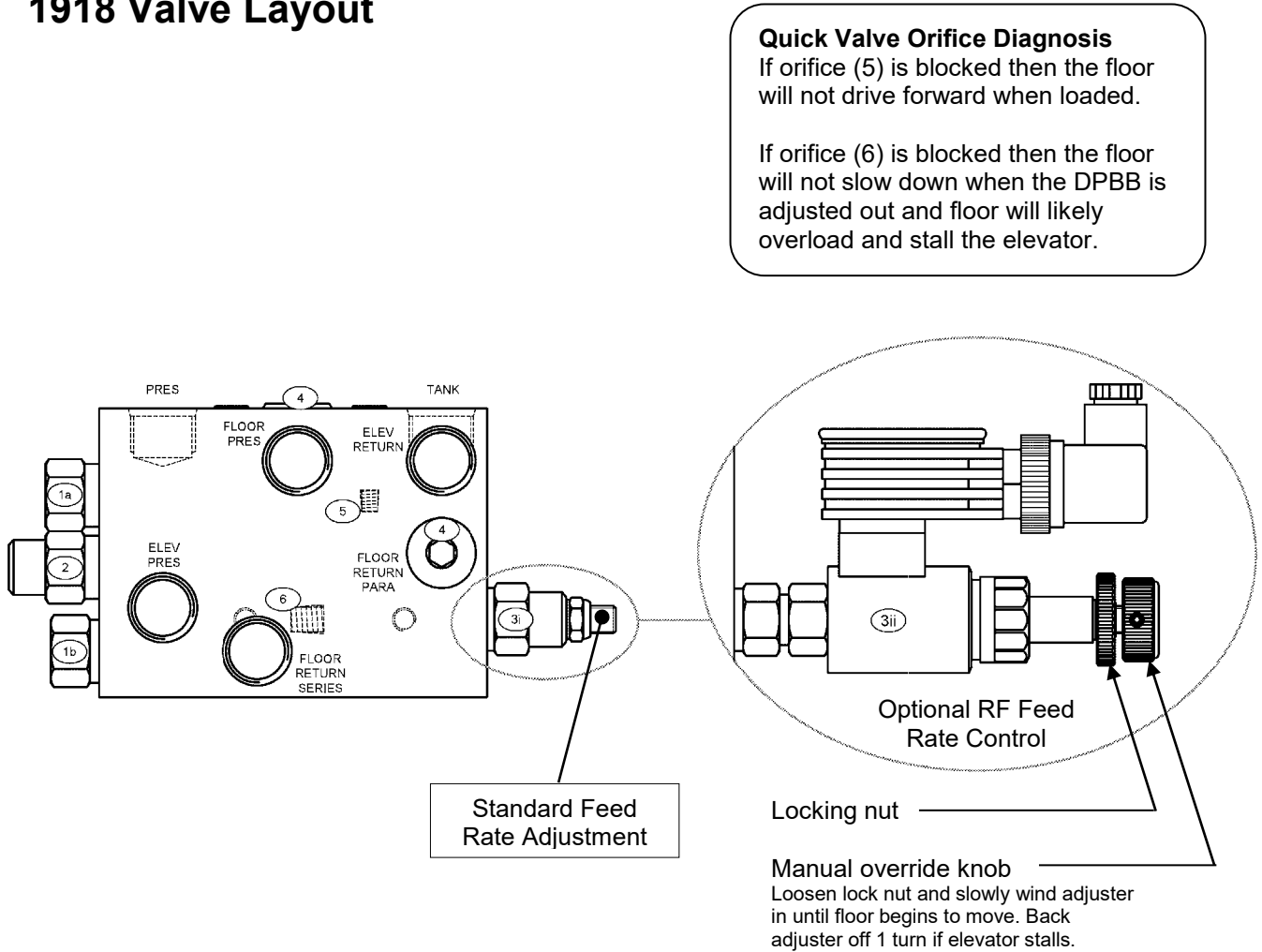
When using the guide, it has been assumed that the tractor has been checked to provide a oil flow rate of between 20 and 60 litres per minute at full working pressure, usually between 2500psi (170 bar) and 2800psi (190 bar). If these conditions are not satisfied, the forage wagon will perform poorly or not at all.

If RF Control is fitted to the machine, follow all diagnostic procedures with the system in Standard (STD) mode unless otherwise requested.

Technical Notes:

- Machines that develop or operate with a jerking or shuddering action can be rectified by fitting a non-standard inline valve (SCCB 154Z P8) with relevant fittings between the port marked 'ELEV PRES' and the elevator motor. This preloads the hydraulic circuit and smoothes the operation.

1918 Valve Layout



Position	Qty	Supplier Part #	Description	Setting
1 (a & b)	2	CXDA XAN	Check Valve	4 psi
2	1	LHDA XEN	Flow Compensator	75 psi
3i	1	DPBB LAN	Sequencing Element N.C.	2000psi
3ii	1	DVBB 8FN	Sequence Element Integrated T-8A	
	1	RBAP LAN	Proportional Pilot Relief	
	1	770 212	Coil	12VDC
	1	991 211	Knob	
	1	LEPP 221	Solenoid Driver (not used with Gen II)	4-20mA
4	1	7/8" UN Plug	Blank Plug	
5	1	1/16" NPT x 0.8mm	Dampening Orifice	
6	1	1/8" BSPT x 0.8mm	Dampening Orifice	

Parts Section

(RF 9-21)



TRANSFERS & LABELS.....	27
HYDRAULIC CONTROL VALVE – 1899B	29
HYDRAULIC CONTROL VALVE – 1918.....	30
JACK ASSEMBLY – MODEL 4	31
SIMOL JACK.....	33
RIMA JACK	34
CONVEYOR BED ASSEMBLY	35
CONVEYOR BED 1200MM ASSEMBLY.....	37
<i>Conveyor Bed 1200mm Parts list.....</i>	38
CONVEYOR SLAT & CHAIN 900/1200.....	39
<i>Conveyor Slat & Chain 900/1200 Parts List</i>	40
HD CROSS CONVEYOR EXTENSION	41
HD CROSS CONVEYOR EXTENSION HYDRAULIC CONNECTION	43
VALVE ADJUSTER ASSEMBLY (MANUAL CONTROL).....	43
REAR GATE ASSEMBLY	45
ELEVATOR ASSEMBLY.....	47
PANELS, GUARDS & COVERS.....	49
FLOOR TRANSMISSION – RF9 & RF11.....	51
FLOOR TRANSMISSION – RF13	54
FLOOR TRANSMISSION – RF16	56
FLOOR TRANSMISSION – RF19 & RF21.....	58
REAR FLOOR IDLER ADJUSTER ASSEMBLY.....	60
REAR FLOOR DRIVE ASSEMBLY – RF11	62
REAR FLOOR DRIVE ASSEMBLY – RF13 & RF16	64
REAR FLOOR DRIVE ASSEMBLY – RF19 & RF21	66
SINGLE AXLE ASSEMBLY – RF9.....	68
TANDEM AXLE ASSEMBLY – RF9 & RF11	69
TANDEM AXLE ASSEMBLY – RF13 & RF16.....	70
TANDEM AXLE ASSEMBLY – RF19 & RF21	71
MONROC HUBS.....	72
60x60 Stub	72
300x60C Stub.....	73
70x70 Stub	74
300x70C Stub80x80 Stub.....	75

RF Forage Wagon Operating Manual

300x80C Stub.....	77
HUB ASSEMBLY – ADR.....	78
HUB ASSEMBLY – TIZETA	80
BRAKE HOSE AND CYLINDER CONFIGURATIONS RF16	82
BRAKE HOSE AND CYLINDER CONFIGURATIONS RF21	83
HYDRAULIC HOSES (EXCLUDING SIDELIFT MODELS).....	84
HYDRAULIC HOSES – SIDELIFT MODELS	85
SIDELIFT HYDRAULIC RAM	86
SIDELIFT ASSEMBLY.....	87
RF25	88
REAR GATE ASSEMBLY	89
<i>Rear Gate Parts list</i>	90
FOUR CHAIN ELEVATOR ASSEMBLY RF25	91
<i>4 Chain Elevator parts list RF25</i>	92
PANELS, GUARDS & COVERS.....	93
<i>Panels, Guards & Covers Parts List</i>	93
FLOOR TRANSMISSION.....	95
<i>Floor Transmission RF25 Parts list</i>	96
REAR FLOOR DRIVE ASSEMBLY	97
<i>Rear Floor Drive Assembly Parts List</i>	97
RF25 BRAKE HOSE AND RAMS.....	99
TANDEM AXLE ASSEMBLY RF25	100
ADR 21.5T SPRUNG BOGIE	101
<i>ADR 130mm Axle Brake Configuration</i>	102
<i>ADR 1360 8 Leaf Bogie</i>	103
<i>ADR 1500 9 Leaf Bogie</i>	104
<i>ADR Steering Axle Assembly</i>	105
<i>Steering Axle parts list</i>	106

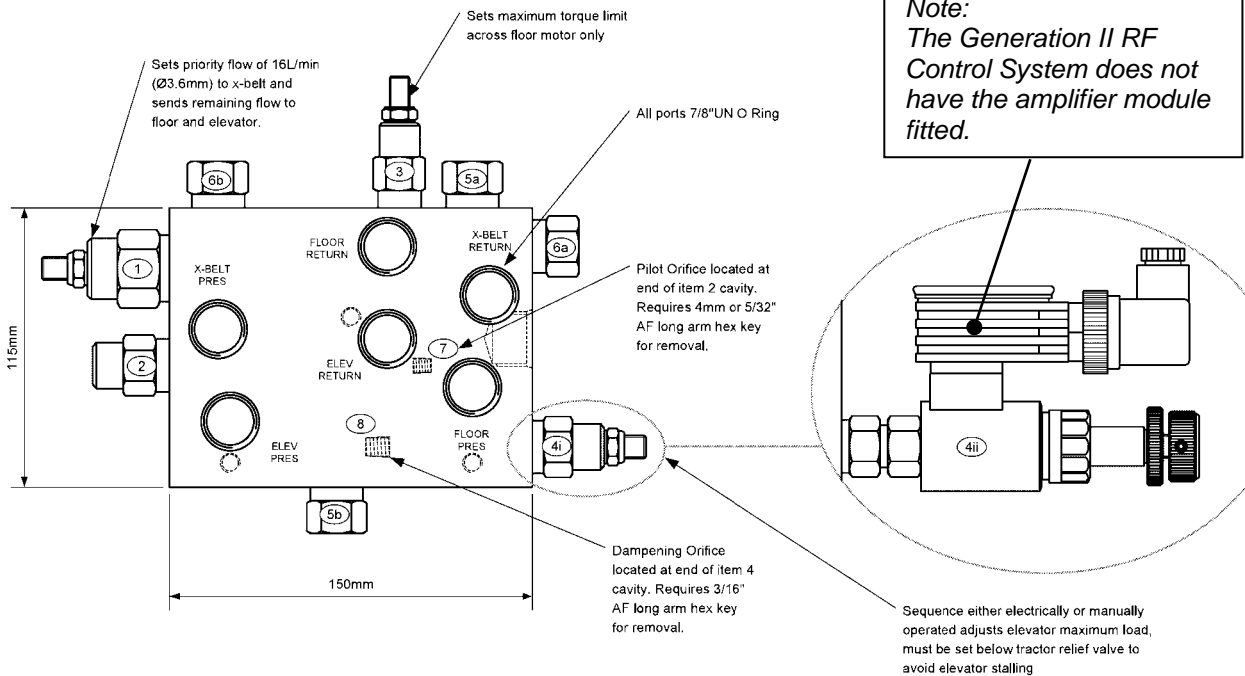
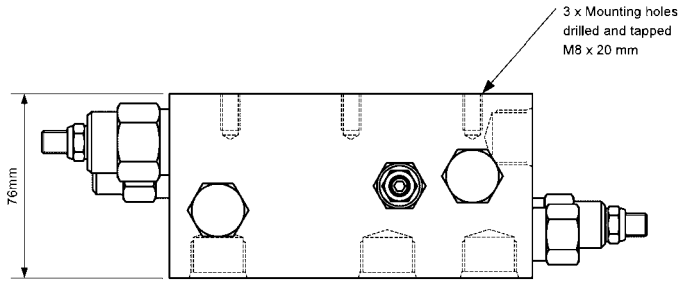
Transfers & Labels



Transfers & Labels

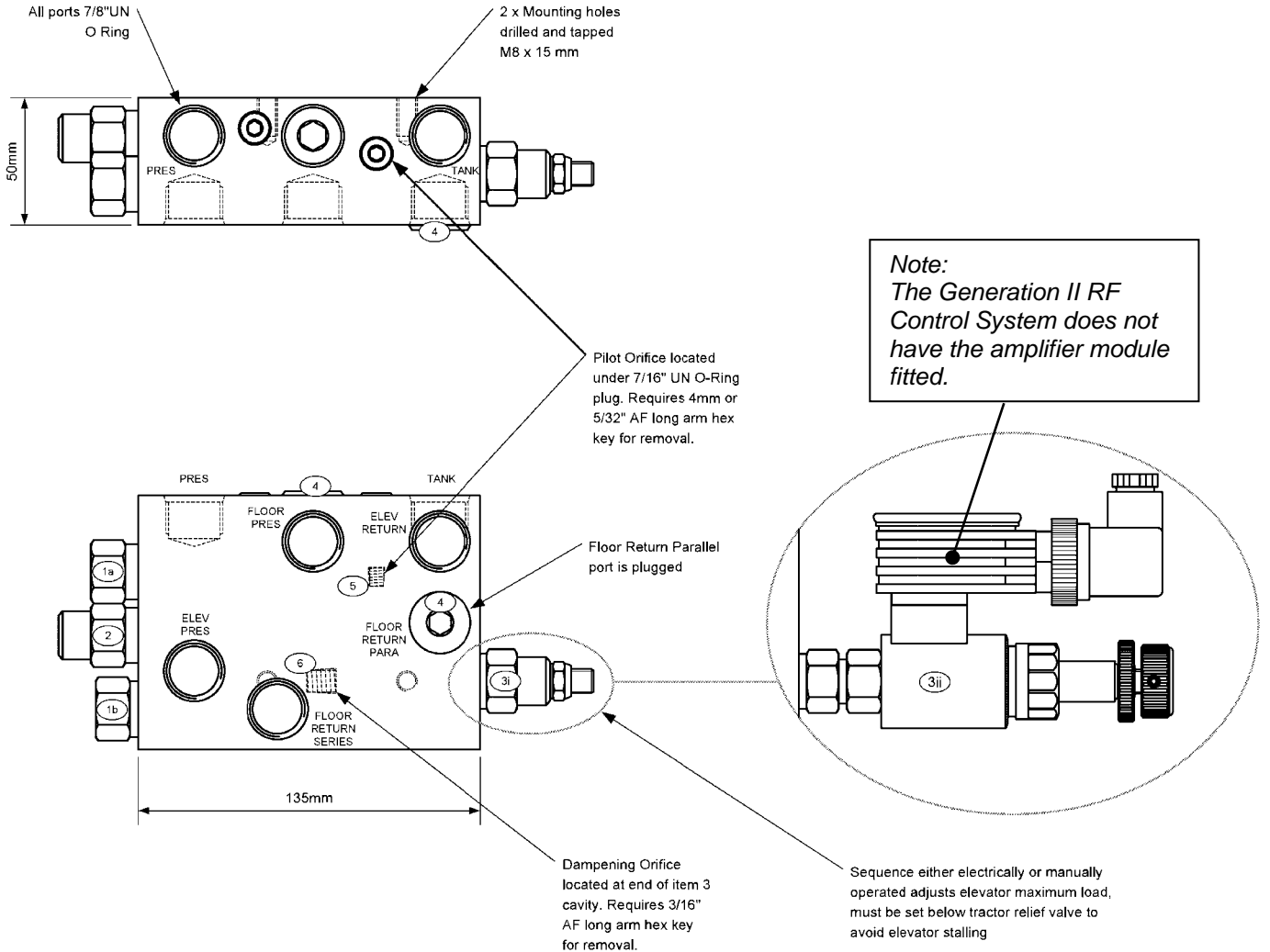
Item	Part Number	Description	Qty
1	995-1025	Label 'Caution! Ensure Hydraulic...'	1
-	995-1120	Label 'Manual Over-Ride...'	1
2	995-1136	Transfer 'Belt Speed' White	1
3	995-1125	Label 'Conveyor Adjustment...'	1
-	995-1130	Label 'Conveyor - Slow <- -> Fast'	1
4	995-1135	Transfer 'Feed Rate Control' White	1
-	995-1195	Label 'Award Nz National Fieldays'	2
6	995-1221	Label 'Stand Well Clear...'	1
7	995-1222	Label 'Do Not Stand In...'	2
8	995-1223	Label 'This Machine Has...'	1
9	995-1228	Label 'Ensure Jack Is In...'	1
10	995-1229	Label 'Do Not Operate...'	1
11	995-1230	Label 'Read Operators Manual...'	1
12	995-1240	Label 'DANGER'	1
13	995-1245	Label Grease Gun	5
14	995-1900	Transfer 'Giltrap Rf9' Silver (Pre 2014)	2
14	995-2000	'G Giltrap Rf9' Decal-White	2
14	995-1910	Transfer 'Giltrap Rf11' Silver (Pre 2014)	2
14	995-2010	'G Giltrap Rf11' Decal-White	2
14	995-1920	Transfer 'Giltrap Rf13' Silver (Pre 2014)	2
14	995-2020	'G Giltrap Rf13' Decal-White	2
14	995-1930	Transfer 'Giltrap Rf16' Silver (Pre 2014)	2
14	995-2030	'G Giltrap Rf16' Decal-White	2
14	995-1940	Transfer 'Giltrap Rf19' Silver (Pre 2014)	2
14	995-1950	Transfer 'Giltrap Rf21' Silver (Pre 2014)	2
14	995-2040	'G Giltrap Rf21' Decal-White	2
14	995-2050	'G Giltrap Rf25' Decal-White	2
15	995-2060	Wagon 'G' decal-White	1

Hydraulic Control Valve – 1899B



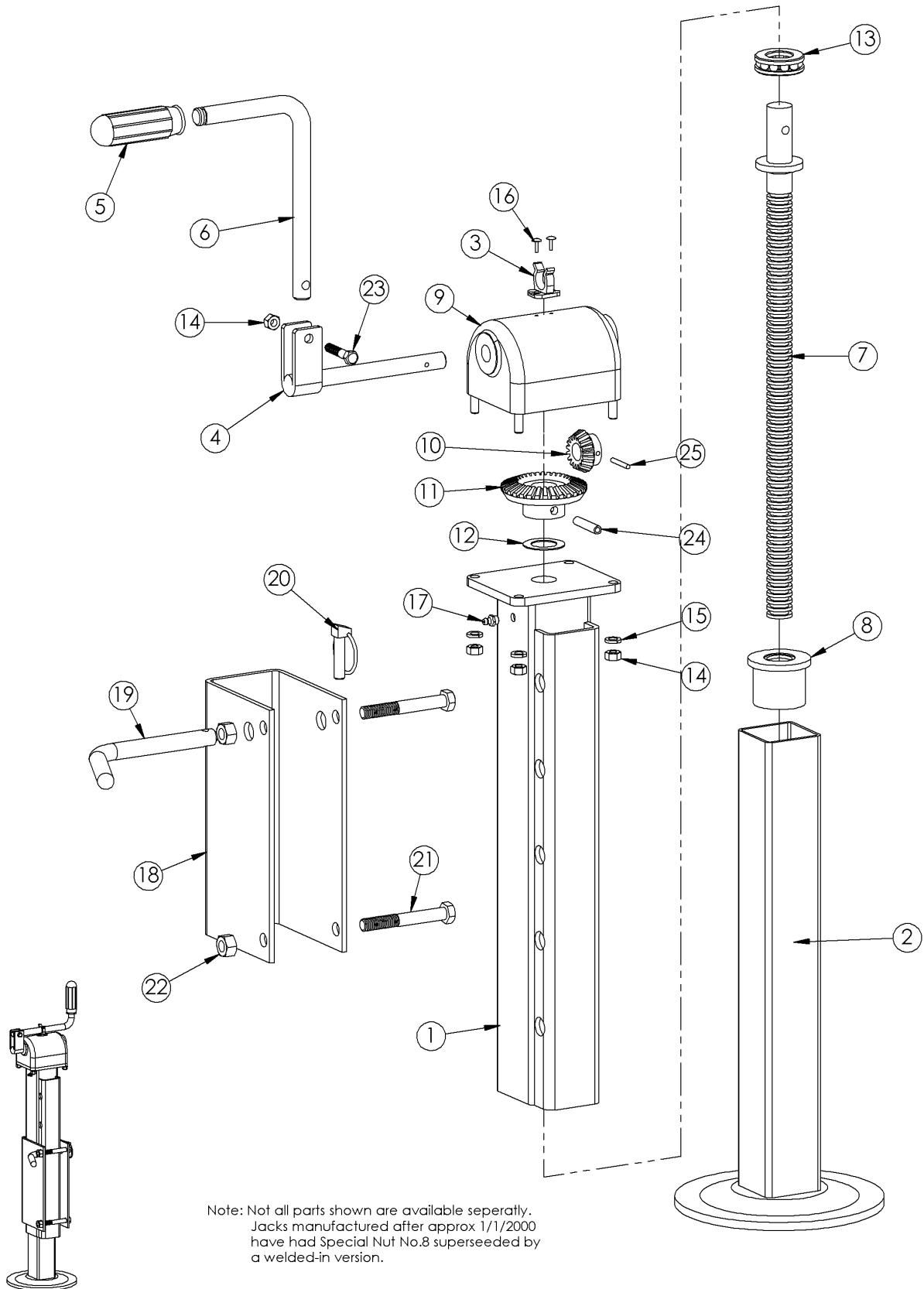
Position	Qty	Supplier Part #	Description	Setting
1	1	FRDA LAN	Flow Control (3.6mm)	16 lpm
1a	1	KNOB547B-1	Tri-Knob 3/8" UNF (not shown)	
2	1	LHDA XEN	Flow Compensator	
3	1	RDBA LAN	Floor Relief Valve (screw all the way out then in 2 1/2 turns for 1700 psi)	1700 psi
4i	1	DPBB LAN	Sequencing Element N.C.	2000psi
4ii	1	DVBB 8FN	Sequencing Element Integrated T-8A	
	1	RBAP LAN	Proportional Pilot Relief	
	1	770-212	Solenoid Coil	12VDC
	1	991 211	Knob	
	1	LEPP 221	Solenoid Amplifier	4-20mA
5 (a & b)	2	CXDA XAN	Check Valve	4 psi
6 (a & b)	2	CXCD XAN	Check Valve	4 psi
7	1	1/16" NPT x 0.8mm	Dampening Orifice	
8	1	1/8" BSPT x 0.8mm	Dampening Orifice	

Hydraulic Control Valve – 1918



Position	Qty	Supplier Part #	Description	Setting
1 (a & b)	2	CXDA XAN	Check Valve	4 psi
2	1	LHDA XEN	Flow Compensator	75 psi
3i	1	DPBB LAN	Unload Sensing Valve	
3ii	1	DVBB 8FN	Sequencing Element Integrated T-8A	
	1	RBAP LAN	Proportional Pilot Relief	
	1	770-212	Solenoid Coil	12VDC
	1	991 211	Knob	
	1	LEPP 221	Solenoid Amplifier	4-20mA
4	1	7/8" UN Plug	Blank Plug	
5	1	1/16" NPT x 0.8mm	Dampening Orifice	
6	1	1/8" BSPT x 0.8mm	Dampening Orifice	

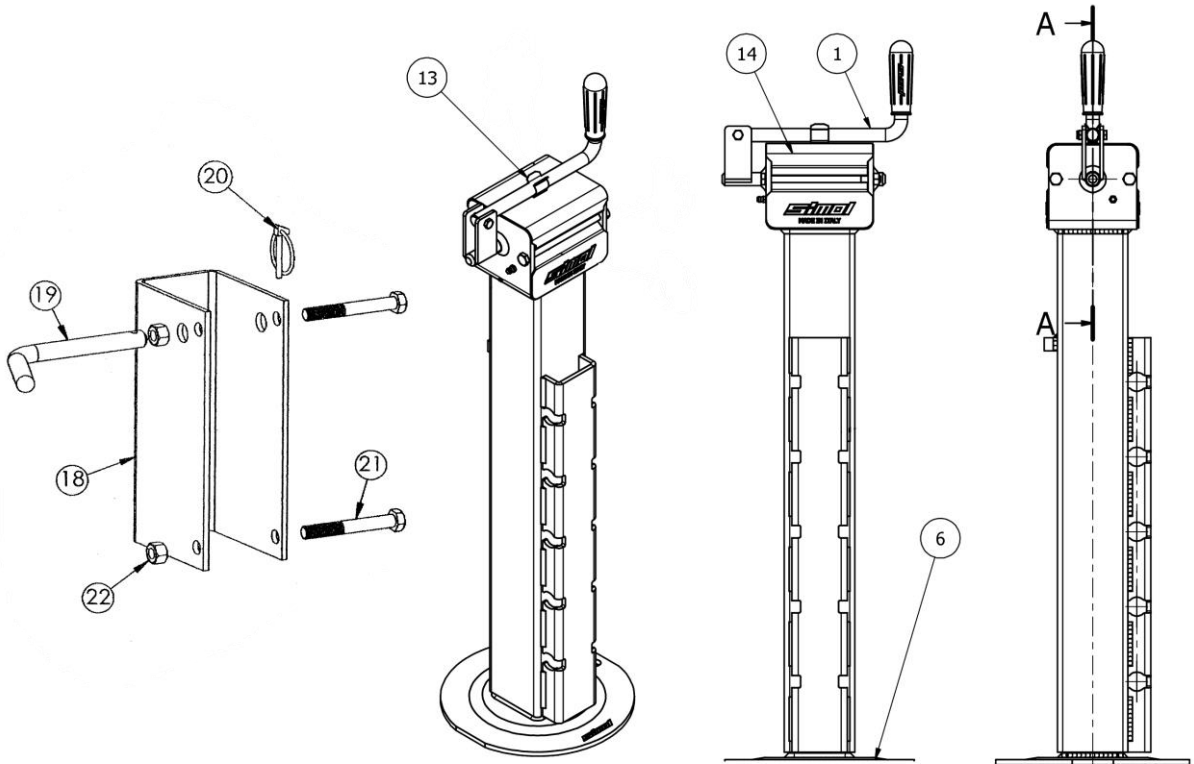
Jack Assembly – Model 4



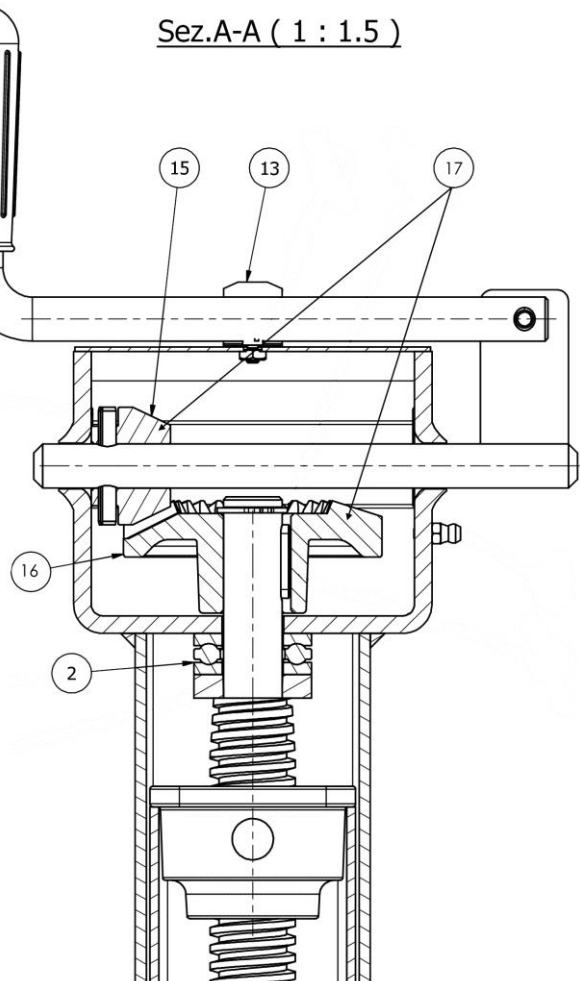
Jack Assembly – Model 4

Item	Part Number	Description	70mm Qty	80mm Qty
-	301-4000-1	Jack Model 4 (70mm) - c/w Pin, Sleeve etc.	1	
-	301-4020-2	Jack Model 4 (80mm) - c/w Pin, Sleeve etc.		1
-	301-4000	Jack Model 4 (70mm) - no Pin, Sleeve etc.	1	
-	301-4020	Jack Model 4 (80mm) - no Pin, Sleeve etc.		1
1	301-4010	Upper Body	1	
1	-	Upper Body		1
2	301-4017	Lower Foot	1	
2	301-4019	Lower Foot – 80mm		1
3	CLNPC3/4	Nylon Pole Clip ¾"	1	1
4	301-4031	Shaft	1	1
5	301-4049	Handle Knob, Plastic	1	1
6	301-4056	Handle - c/w knob	1	1
7	301-4024	Main Thread	1	1
8	-	Special Nut	1	1
9	301-4038	Aluminium Cover	1	1
10	301-4058	Gear, Small	1	1
11	301-4059	Gear, Large	1	1
12	301-4044	Thrust Washer - 25x40x1	1	1
13	BRGT51205	Thrust Bearing, T51205	1	1
14	NN8	Nut , Nyloc M8	5	5
15	WASG8	Washer, Spring M8	4	4
16	RIVIT-73406	Rivit	2	2
17	GRN8-ST	Grease Nipple, M8x1.0 Straight	1	1
18	301-4100	Jack Sleeve for 70mm Body	1	
18	301-6032	Jack Sleeve for 80mm Body		1
19	301-4200	Jack Pin	1	1
20	FP10.006	Lynch Pin	1	1
21	B16X120	Bolt, M16x120	2	2
22	NN16	Nut, Nyloc M16	2	2
23	B8x40	Bolt, M8x40	1	1
24	RP8x40	Roll Pin, 8x40	1	1
25	RP4x30	Roll Pin, 4x30	1	1

Simol Jack



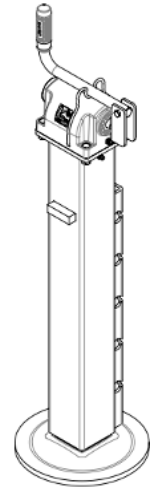
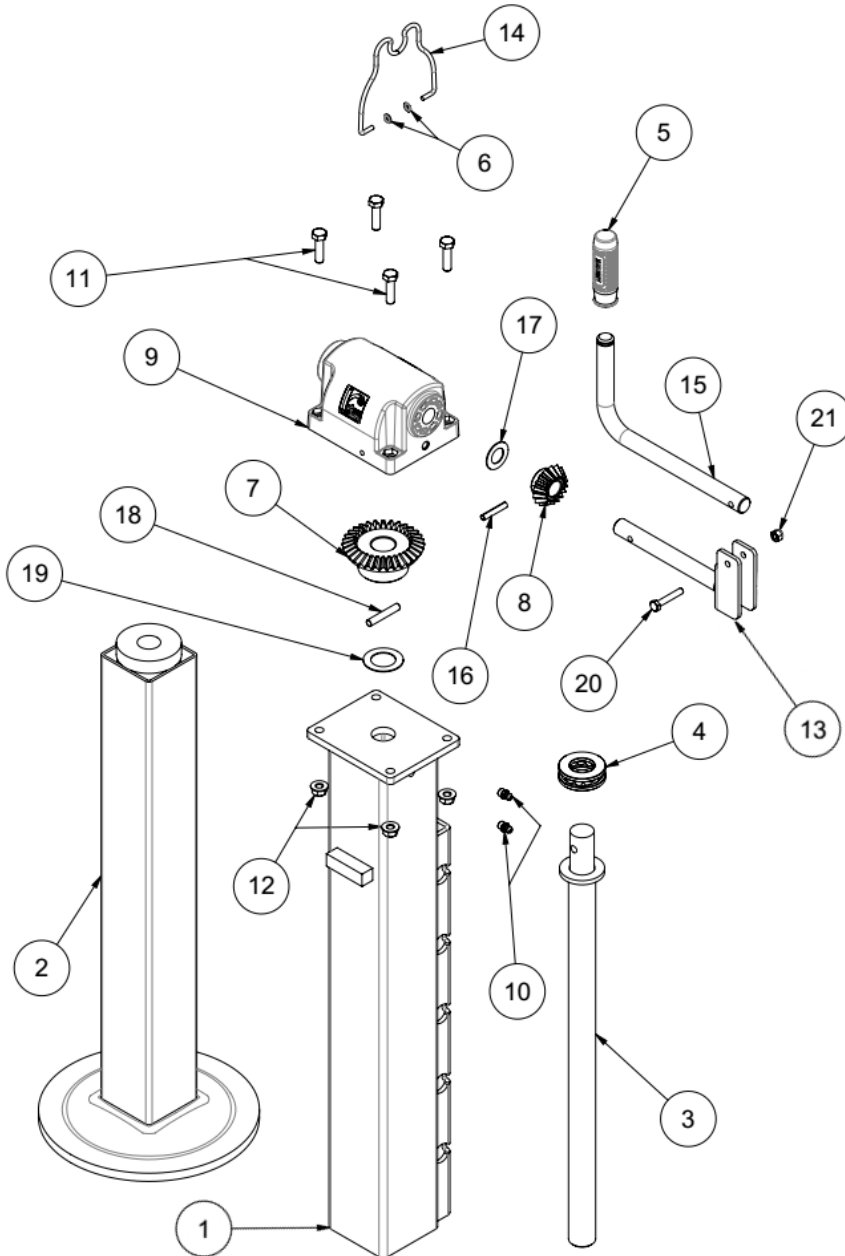
Sez.A-A (1 : 1.5)



Item	Part #	Description	Qty.
1	301-4056-1	Handle	1
2	301-4060-1	Bearing	1
6	301-4061-1	Inner tube, foot & spindle	1
13	301-4062-1	Spring clip	1
14	301-4063	Top cover	1
15	301-4058-1	Gear small	1
16	301-4059-1	Gear large	1
17	301-4064	Gear pair (small & large)	1
18	301-4100	Jack sleeve	1
19	301-4200	Sleeve pin	1
20	FP10.006	Lynch pin	1
21	B16x100	Bolt, M16x120	2
22	NN16	Nut, Nyloc M16	2

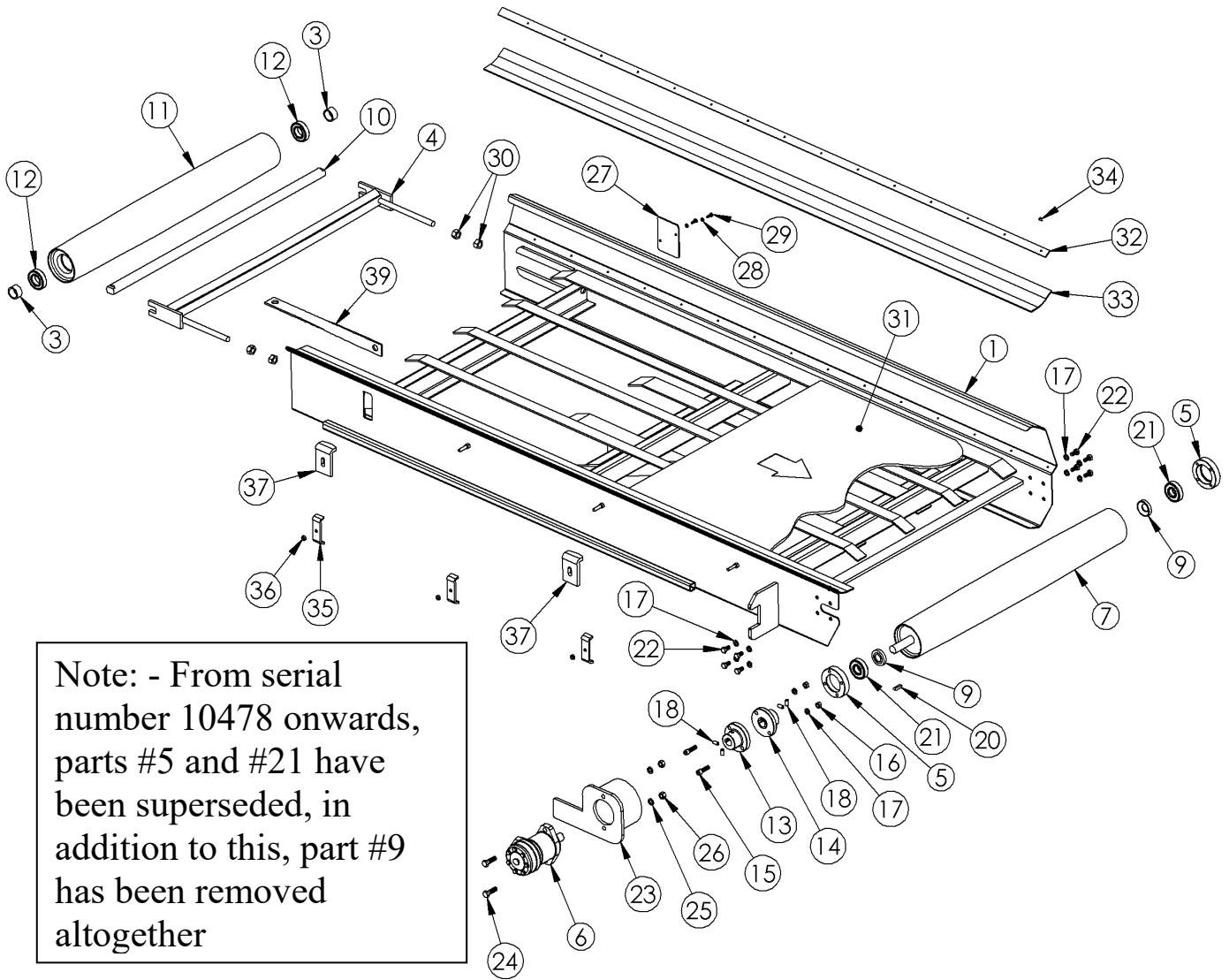
Rima Jack

RIMA Parking Jack



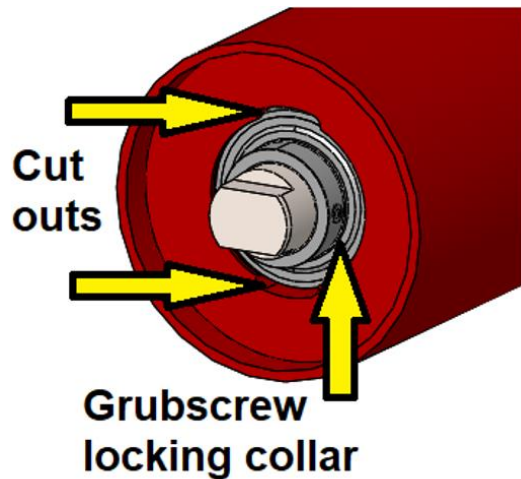
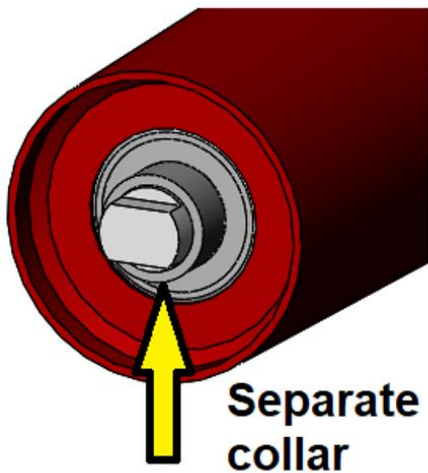
21	90064755	1
20	90076770	1
19	90068800	1
18	90070956	1
17	90068720	1
16	90071940	1
15	900411324	1
14	900416341	1
13	979303981	1
12	90064766	4
11	90079350	4
10	90039930	2
9	90049035	1
8	90033262	1
7	90033253	1
6	90069014	2
5	90041090	1
4	90034200	1
3	90057712	1
2	940655403	1
1	940275933	1
Item:	Code:	Q.ty:

Conveyor Bed Assembly – 900mm



Type 'A' Idler Roller
(Up to Serial Number: 17747)

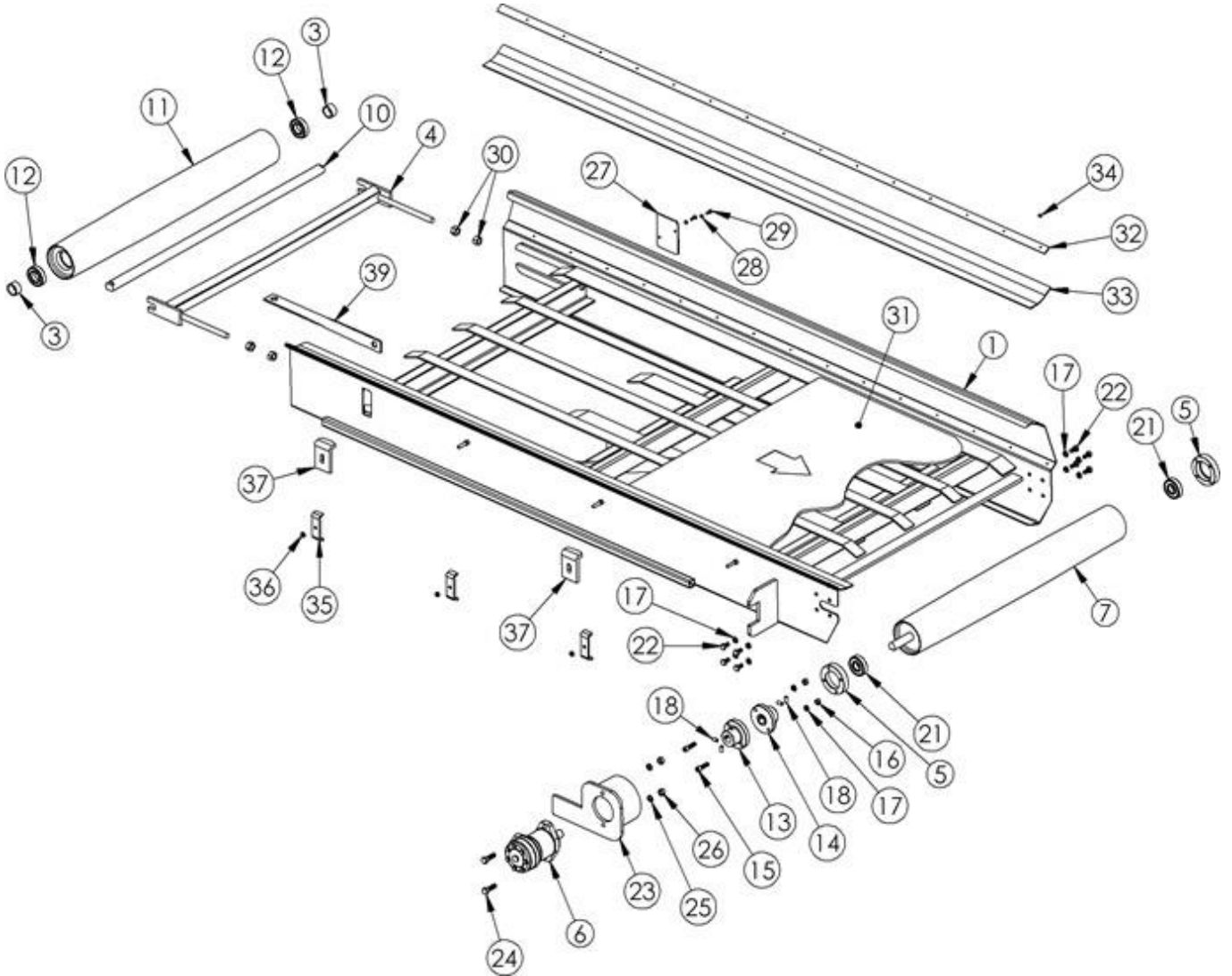
Type 'B' Idler Roller
(From Serial Number: 17748)



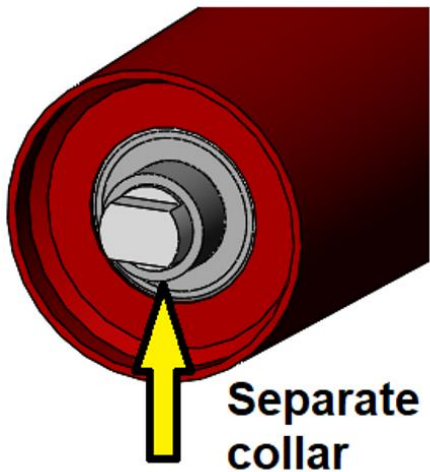
Conveyor Bed Assembly – 900mm Parts list

Item	Part Number	Description	Qty
1	501-8002	Conveyor Chassis (CC bed only)	1
-	CCBED-98	CC Bed incl Belt + hyd Motor	1
-	CCBED-RF	CC bed incl Belt	
4	CCRFIRMNT	Idler Adjuster Frame	1
3	625-0050	Idler Roller Spacer	2
5	HSG-CCRD	Bearing Housing	2
-	HSG-CCRDS	Self-aligning bearing housing (serial # 10478 on.)	2
6	HYM50	Hydraulic Motor	1
7	501-9514	Drive Roller, 900mm	1
9	625-0051	Drive Roller Spacer	2
-	CCRAD-RF	Drive Roller Assembly (includes #5, 7, 9 & 21)	-
10	14296	Idler Shaft (replaces 510-1073-RF)	1
11	14341	Type 'B' Idler Roller only , 900mm (bearings NOT included). To replace Type 'A' Idler Roller see Idler Roller Assembly below	1
-	14342	Idler Roller Assembly (Replaces Type A and Type B) (replaces CCRAI-RF) (includes #10, 11 & 12)	-
12	BRG6206-2RS1	Type 'A' Idler Roller Bearing 6206-2RS1	2
-	BRGYAR206	Type 'B' Idler Roller Bearing Insert 30mm	2
13	554-1143	Motor Coupling - Female	1
14	554-1136	Motor Coupling - Male	1
15	SC10X40SC	Cap screw, M10x40	2
16	N10	Nut, M10	2
17	WASG10	Spring Washer, M10	10
18	GSC3/8X3/4A	Grub Screw, 3/8" UNC x 3/4"	4
21	BRG6305-2RS1	Bearing 6305-2RS1	2
-	BRGYET205	BRG Insert w/coll 25mm (serial # 10478 onwards)	
22	B10X20	Bolt, M10x20	8
23	590-0177	Hydraulic Motor Mounting Plate c/w Shield	1
24	B12X45	Bolt, M12x45	2
25	WASG12	Spring Washer, M12	2
26	N12	Nut, M12	2
27	670-6212	Cover Plate	1
28	WASG6	Spring Washer, M6	2
29	B6x15	Bolt, M6x15	2
30	N16	Nut, M16	4
31	501-9110	Conveyor Belt, 900mm x 4.5m	1
32	501-9535	Rivet Strip	2
33	501-9521	Rubber Insertion Strip	2
34	RIVIT-2771-0617	Monobolt Rivet	35
35	595-1200	Hose Clamp	3
36	NN8	Nut, Nyloc M8	3
37	595-1199	RF Front Bed Clamp	2
-	BELTFASTPST	Conveyor Belt Joining Wire	1.0m
39	595-1197	Conveyor Bed Stay	1

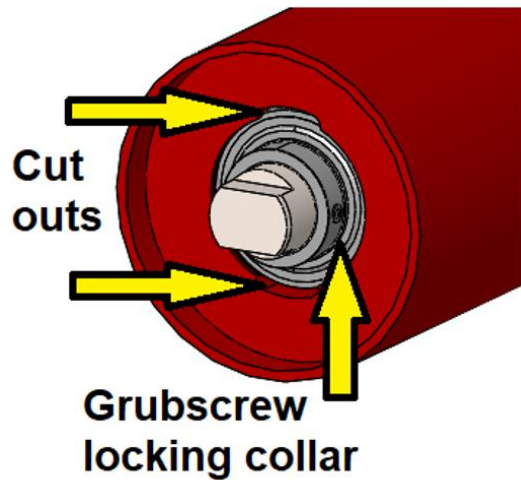
Conveyor Bed Assembly - 1200mm



Type 'A' Idler Roller
(Up to Serial Number: 17747)



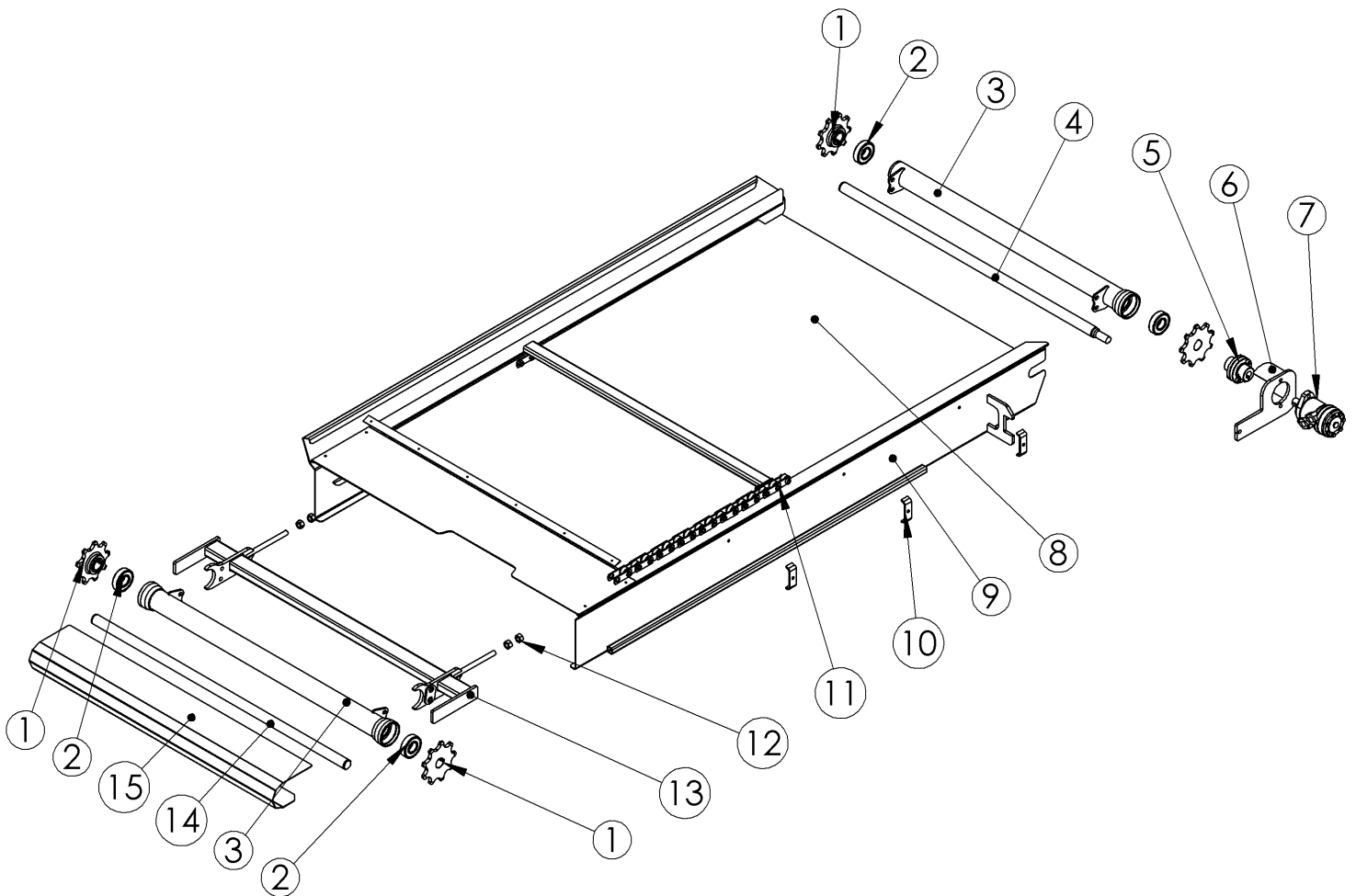
Type 'B' Idler Roller
(From Serial Number: 17748)



Conveyor Bed - 1200mm Parts list

Item	Part Number	Description	Qty
1	501-8007	1200mm Conveyor Bed Only	1
-	CCBED-RF1200	1200mm Conveyor Bed With CC Belt	1
-	RFCCMT	RFCC Motor C/W Coupling, MNT	1
3	625-0050	Idler Roller Spacer	1
4	CCRFIRMNT1200	1200mm RF IDLER ROLLER MNT	2
5	HSG-CCRDS	Self-Aligning Bearing Housing	2
6	HYM50	Hydraulic Motor	1
7	501-9514-1200	CC-RF Roller Drive 1200mm	1
-	CCRAD-RF1200	Drive Roller Assembly (Includes #5, 7 & 21)	1
10	14297	Idler Shaft (replaces 510-1073-RF1200)	1
11	14343	Type 'B' Idler Roller only , 1200mm (bearings NOT included). To replace Type 'A' Idler Roller see Idler Roller Assembly below	1
-	14344	Idler Roller Assembly (Replaces Type A and Type B) (replaces CCRAI-RF1200) (includes #10, 11 & 12)	-
12	BRG6206-2RS1	Type 'A' Idler Roller Bearing 6206-2RS1	2
-	BRGYAR206	Type 'B' Idler Roller Bearing Insert 30mm	2
13	554-1143	Motor Coupling - Female	1
14	554-1136	Motor Coupling - Male	1
15	SC10X40SC	Cap Screw, M10x40	2
16	N10	Nut, M10	2
17	WASG10	Spring Washer, M10	10
18	GSC3/8X3/4A	Grub Screw, 3/8" UNC X 3/4"	4
21	BRGYET205	BRG Insert W/Coll 25mm	2
22	B10X20	Bolt, M10x20	8
23	590-0177	Hydraulic Motor Mounting Plate C/W Shield	1
24	B12X45	Bolt, M12x45	2
25	WASG12	Spring Washer, M12	2
26	N12	Nut, M12	2
27	670-6212	Cover Plate	1
28	WASG6	Spring Washer, M6	2
29	B6x15	Bolt, M6x15	2
30	N16	Nut, M16	4
31	501-9120	CC BELT W SLATS 4.500x1200	1
32	501-9535	Rivet Strip	1
33	501-9521	Rubber Insertion Strip	1
34	RIVIT-2771-0617	Monobolt Rivet	16
35	595-1200	Hose Clamp	3
36	NN8	Nut, Nyloc M8	3
37	595-1199	RF Front Bed Clamp	1
-	BELTFASTPST	Conveyor Belt Joining Wire	1
39	595-1197	Conveyor Bed Stay	1

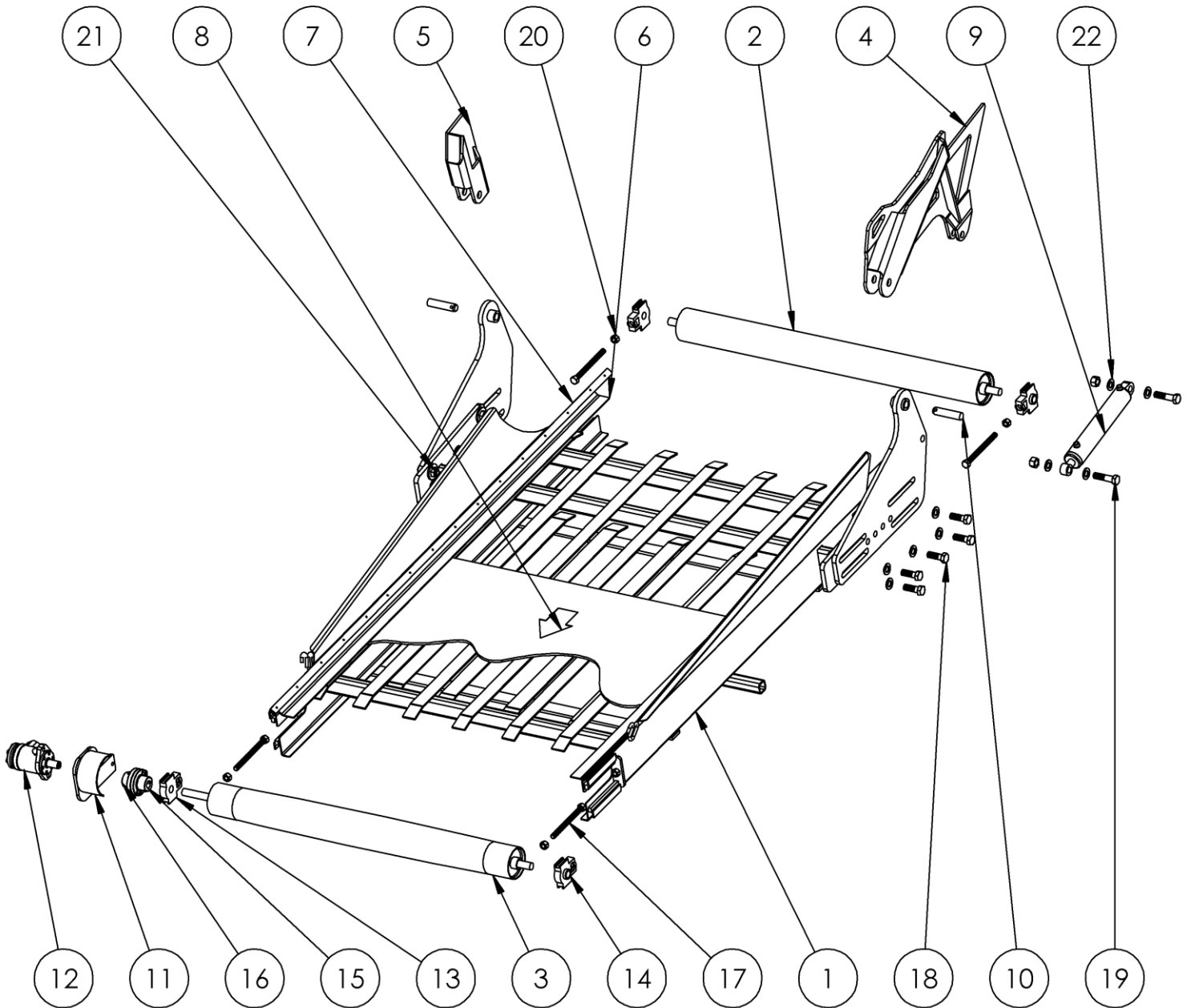
Conveyor Slat & Chain 900/1200



Conveyor Slat & Chain 900/1200 Parts List

Item	Part Number	Description	Qty	
			900mm	1200mm
1	211-0007-1	SPKT 9T 35mm BORE	4	4
2	BRG6307-2RS1	Bearing 6307 2 Rub/Seals	4	4
3	501-8015	RF Chain Bed-Bearing Housing	2	-
-	501-8025	RF Chain Bed-Bearing Housing 1200 Bed	-	2
4	510-1074	Shaft Chain Drive Bed - Drive	1	-
-	10138	Shaft Chain Drive 1200 Bed-Drive	-	1
5	554-1136	Coup - Male-Hyd Motor C/Conv	1	1
-	554-1143	Coup - Fem -Hyd Motor C/Conv	1	1
6	590-0177	Motor Mount	1	1
7	HYM80	Hydraulic Sam Motor Generic 80cc	1	1
8	501-9600	HDPE 6mm-1975X916 BLK	1	-
-	501-9602	HDPE 6mm-1975X1216BLK	-	1
9	501-8010	RF Chain & Slat 900mm Bed Complete	1	-
-	501-8020	RF Chain & Slat Bed 1200mm Bed Complete	-	1
10	595-1200	Hose Clamp	3	3
11	501-8012	RF Chain Bed-Chain & Bars Set	1	-
-	501-8022	RF Chain Bed-Chain & Bars 1200 Bed Set	-	1
12	N16	Nut 16mm	4	4
13	12423	Tensioner Bracket 900	1	-
-	10141	Tensioner Bracket 1200	-	1
14	510-1075	Shaft Chain Drive Bed - Idler	1	-
-	10139	Shaft Chain Drive 1200 Bed-Idler	-	1
15	11226	Rear Cover Plate - Chain C/Conv	1	-
-	11225	Rear Cover Plate - Chain C/Conv	-	1

HD Cross Conveyor Extension

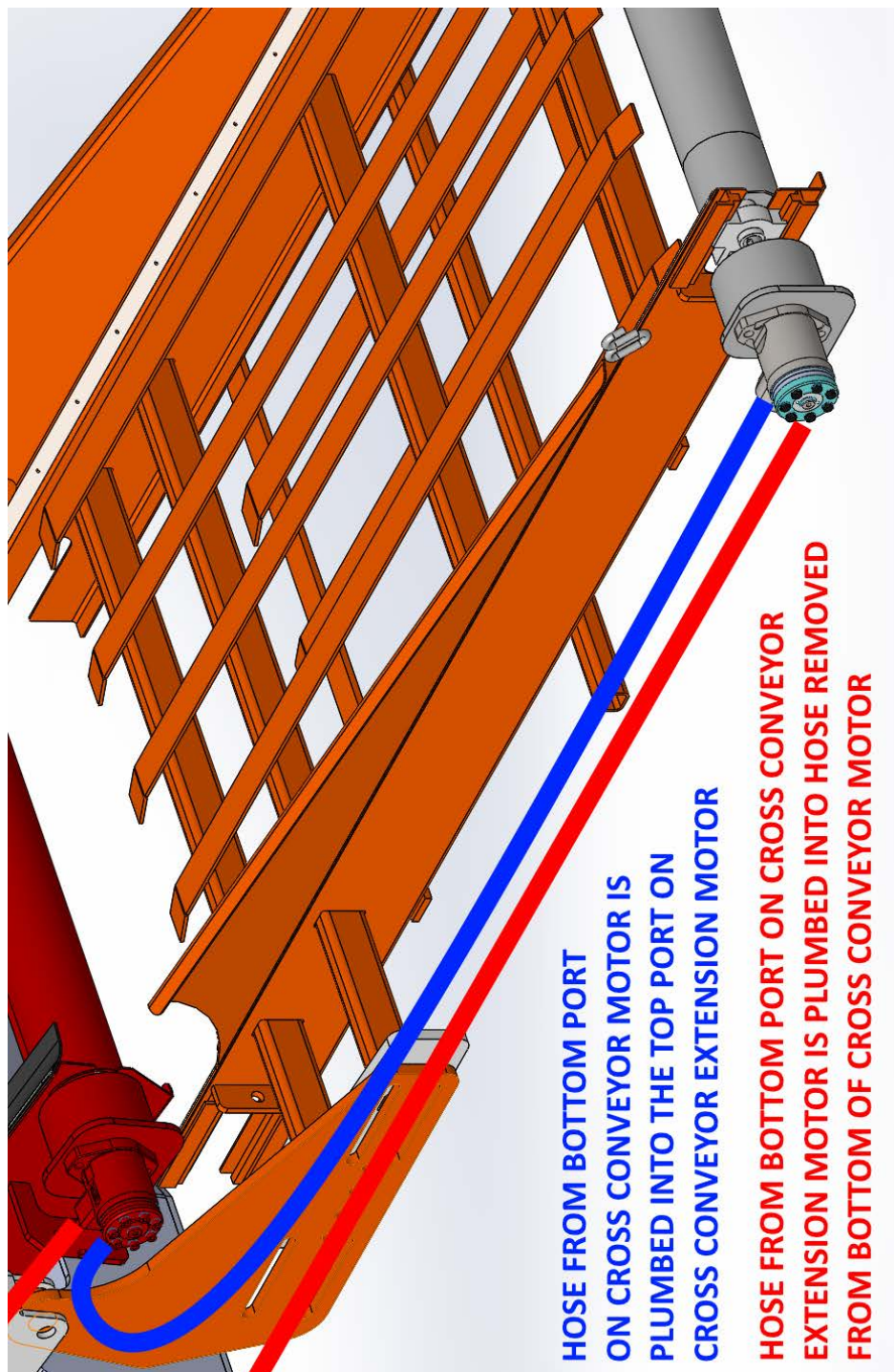


RF Forage Wagon Operating Manual

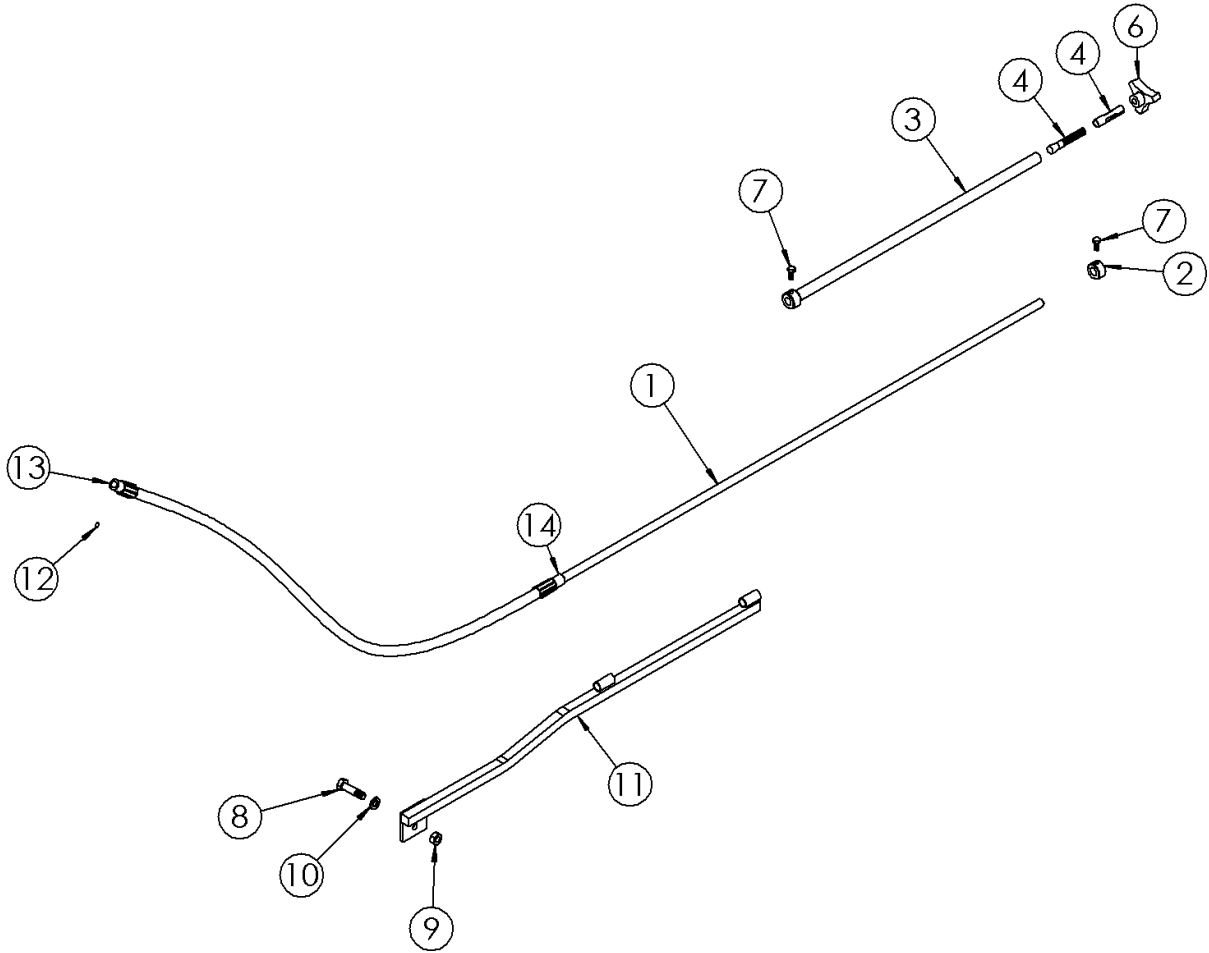
Item	Part Number	Description	Qty			
			900X1000	900X2000	1200X1000	1200X2100
1	10661	CCE Bed Welded Assy – 900W X 1000L	1	-	-	-
-	10657	CCE Bed Welded Assy – 900W X 2000L	-	1	-	-
-	10667	CCE Bed Welded Assy – 1200W X 1000L	-	-	1	-
-	10668	CCE Bed Welded Assy – 1200W X 2100L	-	-	-	1
2	501-9518	Complete Idle Roller Assy, HD 900mm	1	1	-	-
-	CCRAI-HD1200	Complete Idle Roller Assy, HD 1200mm	-	-	1	1
3	501-9513	Complete Drive Roller Assy, HD 900mm	1	1	-	-
-	CCRAD-HD1200	Complete Drive Roller Assy, HD 1200mm	-	-	1	1
4	10658	CCE Front Mount Assy	1	1	1	1
5	10659	CCE Rear Mount Assy	1	1	1	1
6	501-9521	Rubber Insert Strip - MSX / RF CC Bed	2	2	2	2
7	501-9535	Insert Strip Retainer - MSX / RF CC Bed	2	2	2	2
8	501-9101	CC Belt w Slats 2250X900	1	-	-	-
-	501-9108	CC Belt w Slats 4250X900mm	-	1	-	-
-	501-9102	CC Belt w Slats 2250X1200	-	-	1	-
-	501-9109	CC Belt w 4250X1200mm	-	-	-	1
9	RAM2X1X10	Ram 2" x 1" x 10" Stk	1	1	1	1
10	900-0116	Pin, 25mm, c/w Head	2	2	2	2
11	615-3542	Motor Mount c/w Guard - CC Extension, Heavy Duty	1	1	1	1
12	HYM40-PT	Hydraulic Motor Generic 40cc – Painted	1	1	1	1
13	HSGTU505	Bearing Housing, Take Up, 25mm	4	4	4	4
14	BRGYET205	Bearing Insert with Collar, 25mm	4	4	4	4
15	554-1143	Coup - Fem -Hyd Motor C/Conv	1	1	1	1
16	554-1136	Coup - Male-Hyd Motor C/Conv	1	1	1	1
17	596-1001	Adj Tensioner M16 x 100mm c/w Nuts	4	4	4	4
18	B20X60	Bolt, Zinc Plated, M20X60	10	10	10	10
19	B20X80	Bolt, Zinc Plated, M20X80	2	2	2	2
20	N16	Nut, Zinc Plated, M16	4	4	4	4
21	NN20	Nut Nyloc, Zinc Plated, M20	12	12	12	12
22	WA20	Flat Washer, Zinc Plated, M20	14	14	14	14

HD Cross Conveyor Extension Hydraulic Connection

1. Remove hose from BOTTOM port on cross conveyor motor
2. Connect hose between TOP port on the extension motor and BOTTOM port on cross conveyor motor
3. Connect hose between BOTTOM port on extension motor and hose that was disconnected from the BOTTOM port on the cross conveyor motor

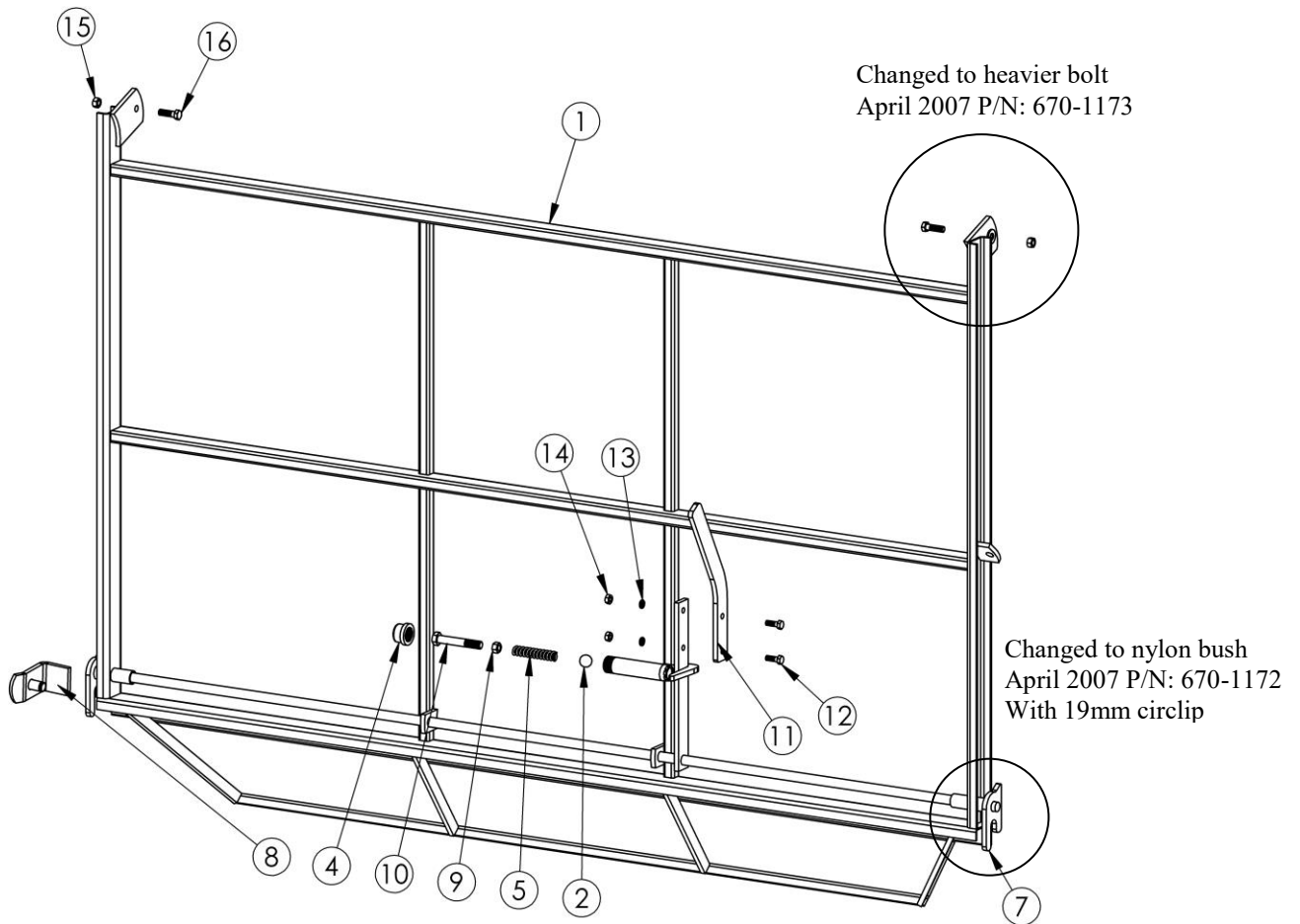


Valve Adjuster Assembly (Manual Control)



Item	Part Number	Description	Quantity
1	595-1054	Inner Rod & Hose Assembly	1
1	595-1056	Inner Rod only	1
2	595-1049	Shaft Collar, 13mm	1
3	595-1043	Adjustment Handle Outer c/w Knob	1
4	B-SA12X60	Anchor Bolt 12x60	1
6	KNOB547B	Tri-Knob 547B M10	1
7	B6x12	Bolt, M6x12	1
8	B10x30	Bolt, M10x30	1
9	NN10	Nut, Nyloc M10	1
10	WASG10	Washer, Spring M10	1
11	595-1046-2	Support Mount	1
12	GSC5X5A	Grubscrew Allen Head, M5x5	1
13	595-1027	Fitting only, 3/8" UNF	1
14	595-1028	Fitting only, 12mm bore	1

Rear Gate Assembly

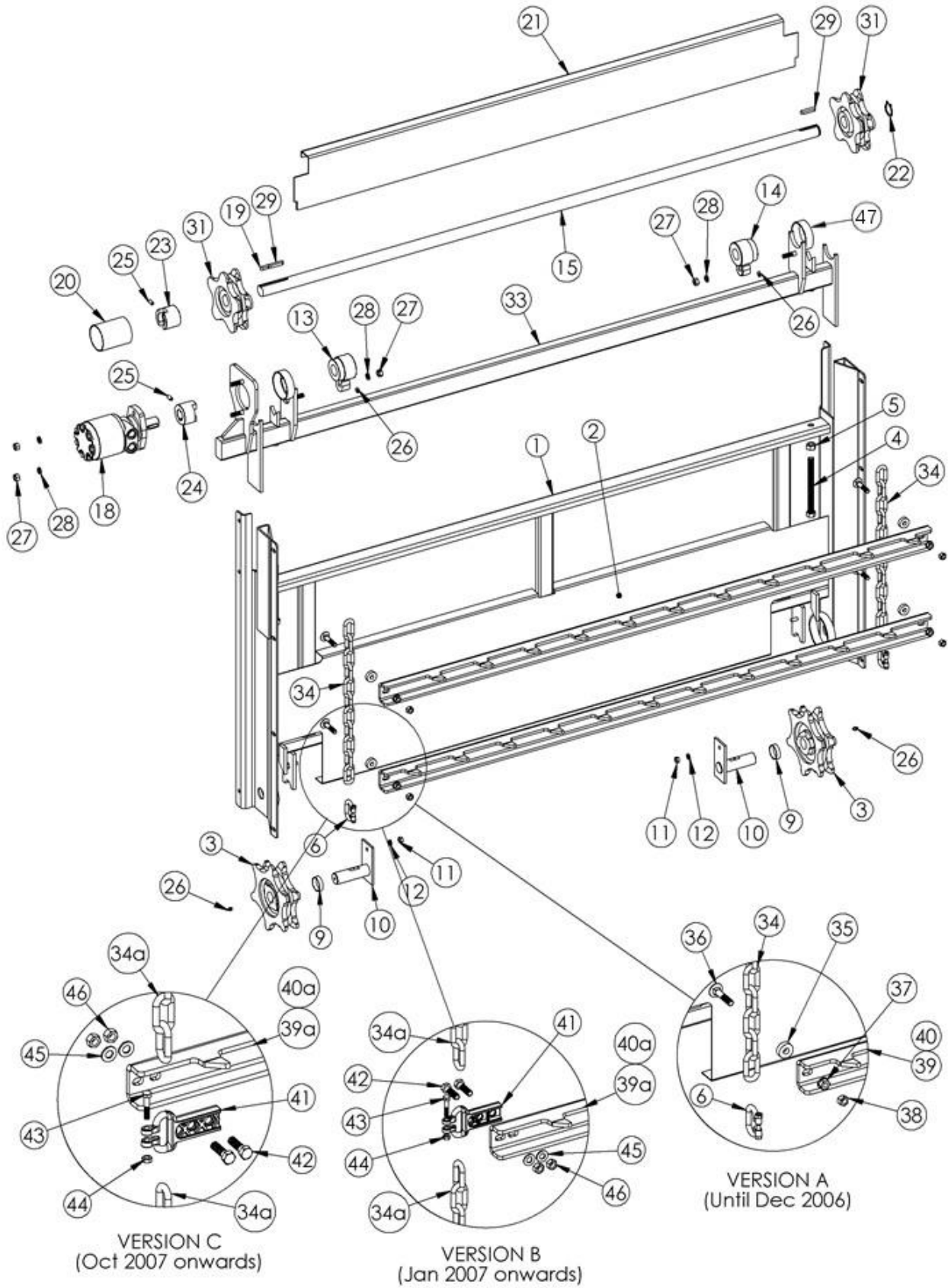


Item	Part Number	Description	Quantity Used	
			RF9 - 19	RF21
1	670-1135	Gate Assembly (up to March 2007)	1	-
1	670-1136	Gate Assembly (up to March 2007)	-	1
1	670-1135-1	Gate Assembly (from April 2007 onwards)	1	-
1	670-1136-1	Gate Assembly (from April 2007 onwards)	-	1
2	BRGUC1"	Ball Bearing, 1"	1	1
4	PFCAP25G	Cap, Galvanized	1	1
5	SGC100x24	Spring, Compression 100 x 22OD x 5	1	1
7	590-0212-1	Catch Plate RH	1	1
7	590-0212-1	Catch Plate LH	1	1
8	670-1164-1	RF Gate Latch Mount	2	2
9	NN10	Nut, Nyloc M10	1	1
10	B10x65	Bolt, M10x65	1	1
11	670-1165	Handle	1	1
12	B10x35	Bolt, M10x35	2	2
13	WASG10	Washer, Spring M10	2	2
14	N10	Nut, M10	2	2

RF Forage Wagon Operating Manual

Item	Part Number	Description	Quantity Used	
			RF9 - 19	RF21
15	NN12	Nut, Nyloc M12 or M20	2	2
16	B12x30	Bolt, M12x30 or 670-1173	2	2
17	699-1002	Gate Stay	1	1

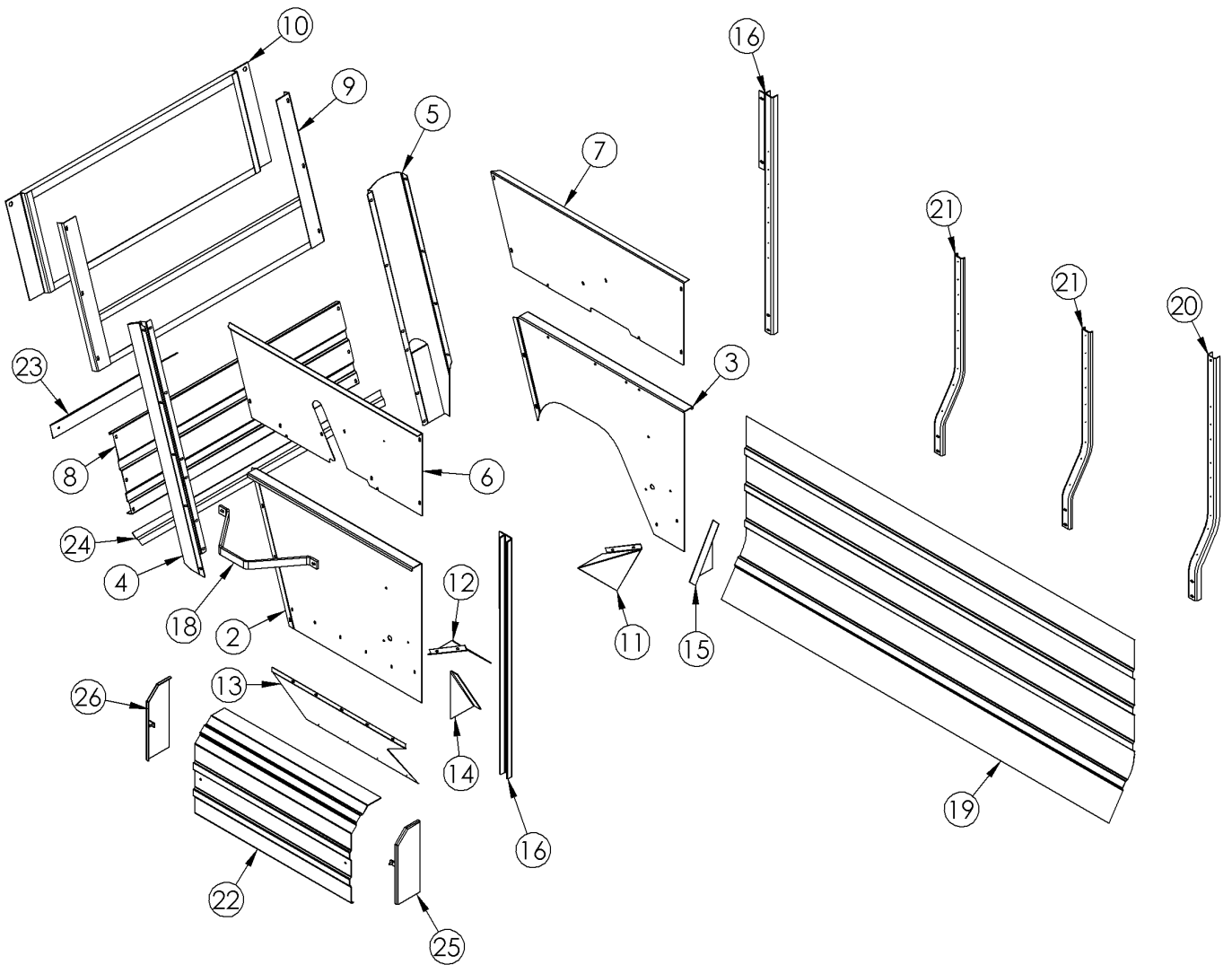
Elevator Assembly



Elevator Assembly

Item	Part Number	Description	Quantity		
			RF9 & 13	RF11,16 &19	RF21
1	650-0038	Elevator Chassis	1	-	-
1	650-0046	Elevator Chassis	-	1	-
1	650-0040	Elevator Chassis	-	-	1
2	580-3005	Lower Wide Elevator Panel	1	1	1
3	210-0012	Sprocket 6 Tooth, 35mm Idler	2	2	2
4	596-1004	Threaded Adjuster, M16 c/w nuts	2	2	-
4	596-1025	Threaded Adjuster, M20 c/w nuts	-	-	2
5	N16	Nut, M16	2	2	-
5	N20	Nut, M20	-	-	2
6	230-1007	Chain Joiner c/w bolt etc	2	2	2
9	625-0040	Spacer - Idler Axle	2	2	2
10	597-1029-1	Idler Axle	2	2	2
11	N10	Nut, M10	2	2	2
12	WASG10	Washer, Spring M10	2	2	2
13	615-1997	Deadeye, 1 leg 35mm Left	1	1	1
14	615-1996	Deadeye, 1 leg 35mm Right	1	1	1
15	510-1343	Shaft - Elevator Top Drive	1	1	1
18	HYM500	Hydraulic Motor 1-1/4" Shaft (31.6mm)	1	1 RF11	-
18	HYM625	Hydraulic Motor 1-3/8" Shaft (35mm)	-	1 RF16&19	1
19	SK10X8	Key Steel @ 35mm	1	1	1
20	625-0047	Plastic - PVC Cover – use like for like	1	1	1
-	14380	Steel - Coupling Cover – use like for like	1	1	1
21	580-2006	Elevator Top Drive Cover - Wide	1	1	1
22	CCE35	External Circlip, 35mm	1	1	1
23	554-1106	Mechanical Coupling - Female 35mm	1	1	1
24	554-1123	Mechanical Coupling - Male 1-1/4"	1	1 RF11	-
24	554-1134	Mechanical Coupling - Male 1-3/8"	-	1 RF16&19	1
25	GSC3/8x1/2A	Grubscrew, Allen Head 3/8" UNC	2	2	2
26	GRN8-ST	Grease Nipple, M8x1.0 Straight	4	4	4
27	N12	Nut, M12	4	4	4
28	WASG12	Washer, Spring M12	4	4	4
29	SK10X8	Key Steel, 10x8 @ 55mm	2	2	2
31	210-0003	Sprocket 5 Tooth, 35mm Key Drive	2	2	2
33	650-0022	Elevator Top Drive Mount	1	1	1
-	650-0310	Elevator Top Assembly Complete	1		
-	650-0312	Elevator Top Assembly Complete		1	1
34	CH10HTLL	Long Link Chain	2@ 2.5m	2 @ 3.1m	2 @ 3.7m
34a	CH10HTLL	Long Link Chain	14 @ 5 links, 2 @ 7 links	16 @ 5 links	18@ 5 links, 2@ 7 links
35	605-3001	Spacer	8	10	11
36	BCH12x60	Coach Bolt	8	10	11
37	N12-W	Nut, Locking M12	8	10	11
38	N12G	Nut, Galv M12	8	10	11
39	501-0062	Elevator Spiked Bar – LH 1 hole	4	5	5
39a	501-0072	Elevator Spiked Bar – LH 2 hole	4	5	5
40	501-0061	Elevator Spiked Bar – RH 1 hole	4	5	5
40a	501-0071	Elevator Spiked Bar – RH 2 hole	4	5	5
41	595-3000	Cast Chain Link	16	20	20
42	B12X40	Bolt, M12x40	32	40	40
43	B8X35	Bolt, M8x35	16	20	20
44	NN8	Nut, Nyloc M8	16	20	20
45	WA12	Washer, Flat M12	32	40	40
46	NN12	Nut, Nyloc N12	32	40	40
47	625-0046	SPACER 80OD X 22MM	2	2	2
-	650-0070	Sub Frame wear box	1	-	-
-	650-0072	Sub Frame wear box	-	1	

Panels, Guards & Covers

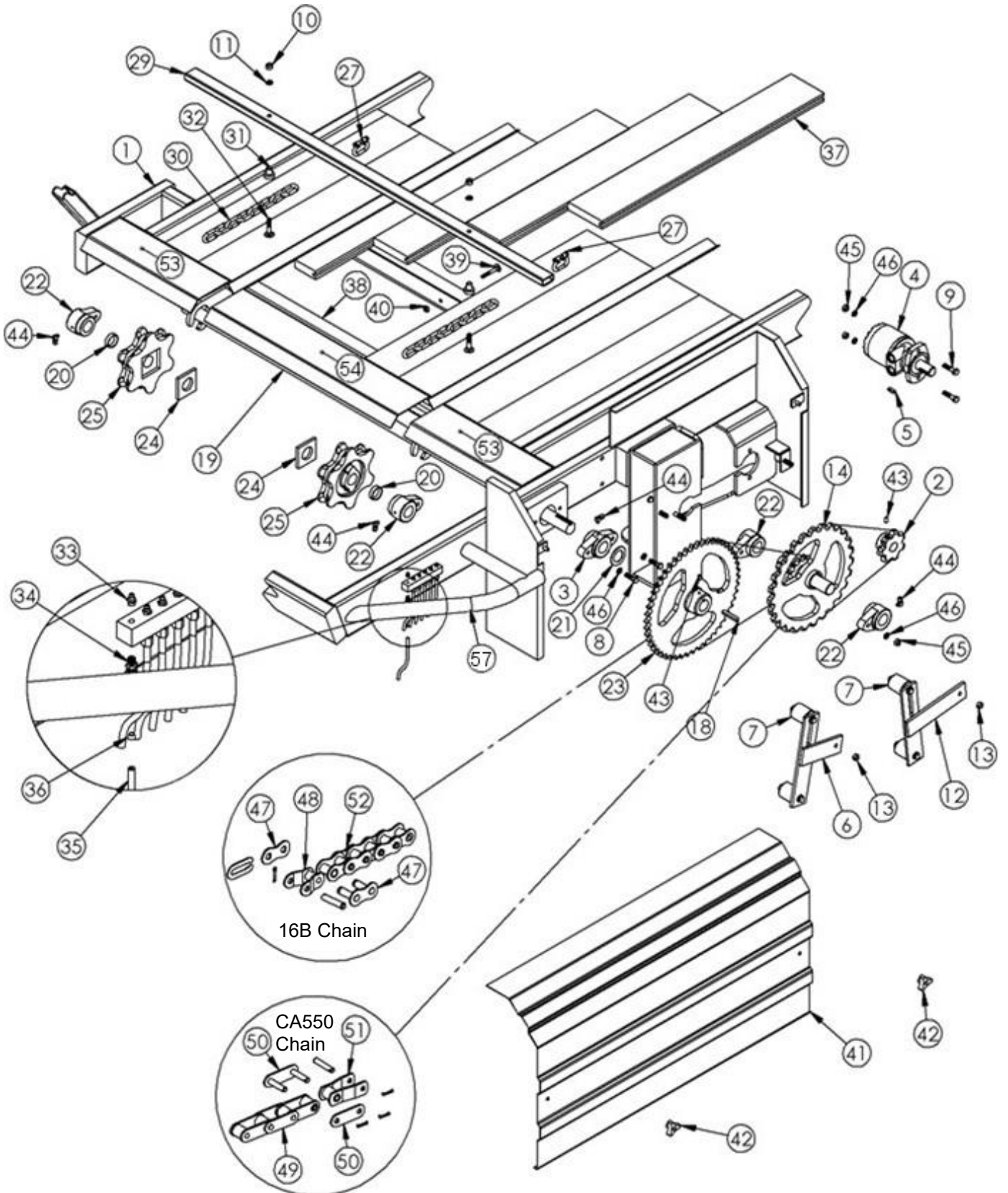


Panels, Guards & Covers

Item	Part Number	Description	Quantity					
			RF9	RF11	RF13	RF16	RF19	RF21
2	670-1502	Panel – Lower LH	1		1			
2	670-1503	Panel – Lower LH		1		1	1	
2	670-1518	Panel – Lower LH						1
3	670-1509	Panel – Lower RH	1		1			
3	670-1510	Panel – Lower RH		1		1	1	
3	670-1525	Panel – Lower RH						1
4	670-6064	Corner - LH	1		1			
4	670-6015	Corner - LH		1		1	1	1
5	670-6070	Corner - RH	1		1			
5	670-6022	Corner - RH		1		1	1	1
6	670-2176	Panel – Top LH	1		1			
6	670-2186	Panel – Top LH		1		1	1	
6	670-2305	Panel – Top LH						1
7	670-2177	Panel – Top RH	1		1			
7	670-2187	Panel – Top RH		1		1	1	
7	670-2310	Panel – Top RH						1
8	670-2070	Front Panel	1		1			
8	670-2072	Front Panel		1		1	1	
8	670-2074	Front Panel						1
9	670-2037	Front Panel Frame	1	1	1	1	1	1
10	670-2038	Front Hinged Panel	1	1	1	1	1	1
11	670-1538	Corner Insert - RH	1	1	1	1	1	1
12	670-1531	Corner Insert - LH	1	1	1	1	1	1
13	670-1545	Deflecting Panel	1	1	1	1	1	1
14	670-6333	Side Gusset Insert - LH	1	1	1	1	1	1
15	670-6326	Side Gusset Insert - RH	1	1	1	1	1	1
16	655-0262	Front Post	1		1			
16	655-0266	Front Post		1		1	1	
16	655-0264	Front Post						1
18	580-4600	Elevator Motor Guard	1	1	1	1	1	1
19	SCOIL1.2/SSS	Side Panel @ 3.3m	2	2				
19	SCOIL1.2/SSS	Side Panel @ 4.7m			2	2		
19	SCOIL1.2/SSS	Side Panel @ 6.1m					2	2
20	655-0098-1	Rear Gate Post (needs latch)	1		1			
20	655-0099-1	Rear Gate Post (needs latch)		1		1	1	1
21	655-0755	Side Post	4		8			
21	655-0760	Side Post		4		8	10	
21	655-0765	Side Post						10
22	580-4058	Chain cover						
-	580-4060	Chain cover stainless						
-	580-4320	Rubber Latch						
23	670-6320	Valve cover	1	1	1	1		
-	670-6322	Valve cover					1	1
24	670-1550	Bed deflector panel						
25	580-4311-1	Cover support panel						
26	580-4301	Cover support panel						
-	670-2039	Front Mesh screen from 2015						

Please state when ordering if the machine is centre feed or side delivery.

Floor Transmission – RF9 & RF11



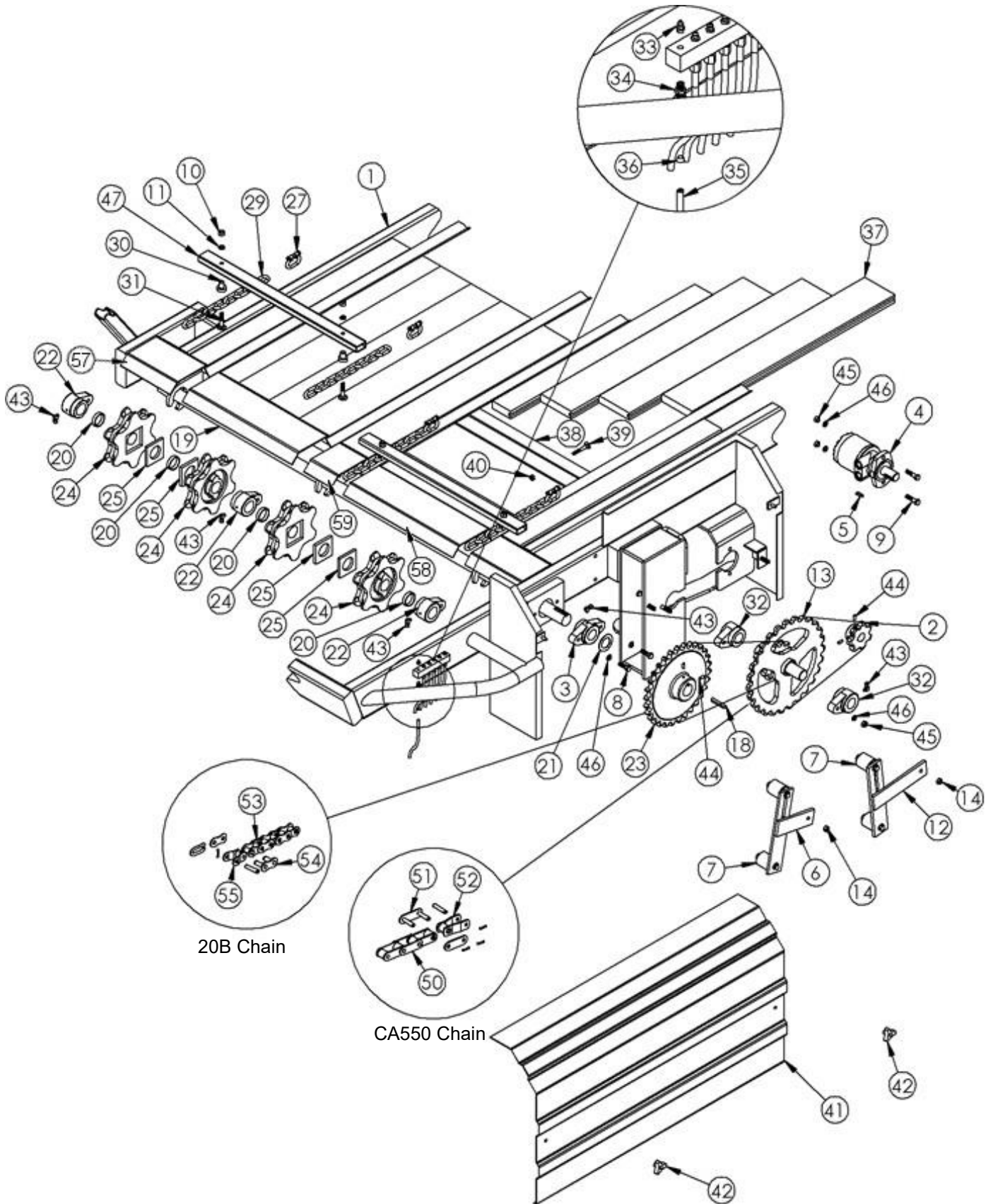
Floor Transmission – RF9 & RF11

Item	Part Number	Description	Quantity	
			RF9	RF11
1	-	Chassis	-	-
2	210-1044	Sprocket 7 Tooth, 25mm Bore	1	1
3	615-1111	Deadeye, 2 Leg 40mm	1	1
4	HYM200	Hydraulic Motor	1	-
4	HYM250	Hydraulic Motor	-	1
5	SK10x8	Motor Key, Key Steel, 10x8 @ 35mm	1	1
6	595-1076	Tensioner Arm, Short	1	1
7	595-1062	Chain Tensioner Bush	4	4
8	B12x40	Bolt, M12x40	2	2
9	B12x45	Bolt, M12x45	2	2
10	N12G	Nut, M12 Galvanised	26	26
11	WASG12	Washer, Spring M12	26	26
12	595-1070	Tensioner Arm, Long	1	1
13	NN12	Nut, Nyloc M12	2	2
14	210-1084	Sprocket 27/13 Tooth Idler Welded	1	1
18	SK12x8	Key, Parallel 12x8	1	-
18	SK12x12	Key, Parallel 12x12	-	1
19	510-1049-1	Shaft, Floor Drive 40mm	1	-
19	510-1051	Shaft, Floor Drive 45mm	-	1
20	625-0040	Spacer 40x15	2	-
20	625-0045	Spacer 45x15	-	2
21	WA40	Washer, Flat M40	1	-
21	WA45	Washer, Flat M45	-	1
22	615-2002	Deadeye, 1 Leg 40mm	4	2
22	615-2023	Deadeye, 1 Leg 45mm	-	2
23	210-1216	Sprocket 50 Tooth 40mm Bore	1	-
23	210-1218	Sprocket 50 Tooth 45mm Bore	-	1
24	211-0114	Weld-on Square 40mm (45mm hole)	2	-
24	211-0121	Weld-on Square 45mm (50mm hole)	-	2
25	210-0020	Sprocket 6 Tooth 40mm Square Drive	2	-
25	210-0030	Sprocket 6 Tooth 45mm Square Drive	-	2
27	230-1007	Chain Joiner Link c/w Bolt	2	2
29	605-2002	Floor Slat - Bolt On	13	13
30	CH10HTLL	Floor Chain	2 @ 7.6m	2 @ 7.6m
31	605-3001-1	Floor Slat Bush	26	26
32	BCH12X60	Bolt, Coach M12x60 Galv.	26	26
33	GRN8-ST	Grease Nipple, M8x1.0 Straight	6	6
34	GDM-GLC6-8	Grease Lube Connector 6 - 8mm	6	6
35	GDM-GLOLIVE	Olive (included with #34)	12	12

RF Forage Wagon Operating Manual

Item	Part Number	Description	Quantity	
			RF9	RF11
36	GDM-GLT6.15	Grease Lube Tube Helios 6mm. 1 @ 900mm, 1 @ 770mm, 1 @ 1370mm, 1 @ 1320mm, 1 @ 2020mm & 1 @ 2870mm		
37	TIMBER150X40TG	Timber T & G - 3390mm	11	11
38	TIMBER75X50RS	Timber 75 x 50 RS - 1630mm	as reqd.	as reqd.
39	BCH10X70	Bolt	as reqd.	as reqd.
40	N10G	Nut M10 Galvanised	as reqd.	as reqd.
41	580-4058	Transmission Cover	1	1
-	580-4060	Stainless Transmission Cover	1	1
42	KNOB547B	Knob	2	2
-	580-4320	Rubber Latch	2	2
43	GSC3/8X1/2A	Grubscrew, Allen Head 3/8" UNC	4	4
44	GDM-GLE6-8	Grease Tube Fitting 90 deg	6	6
45	N12	Nut, M12	6	6
46	WASG12	Washer, Spring M12	6	6
47	CH16BJ	16B Chain Joiner	1	1
48	CH16BC	16B Chain Crank	as reqd.	as reqd.
49	CHCA550	Roller Chain CA550	1.45m	1.45m
50	CHCA550J	CA550 Chain Joiner	1	1
51	CHCA550C	CA550 Chain Crank	as reqd.	as reqd.
52	CH16B	Roller Chain 16B	1.86m	1.86m
53	575-0055	Shaft guard Outer 2ch	2	2
54	575-0063	Shaft guard Centre 2ch	1	1
57	580-4509	Chain Drive pipe guard		

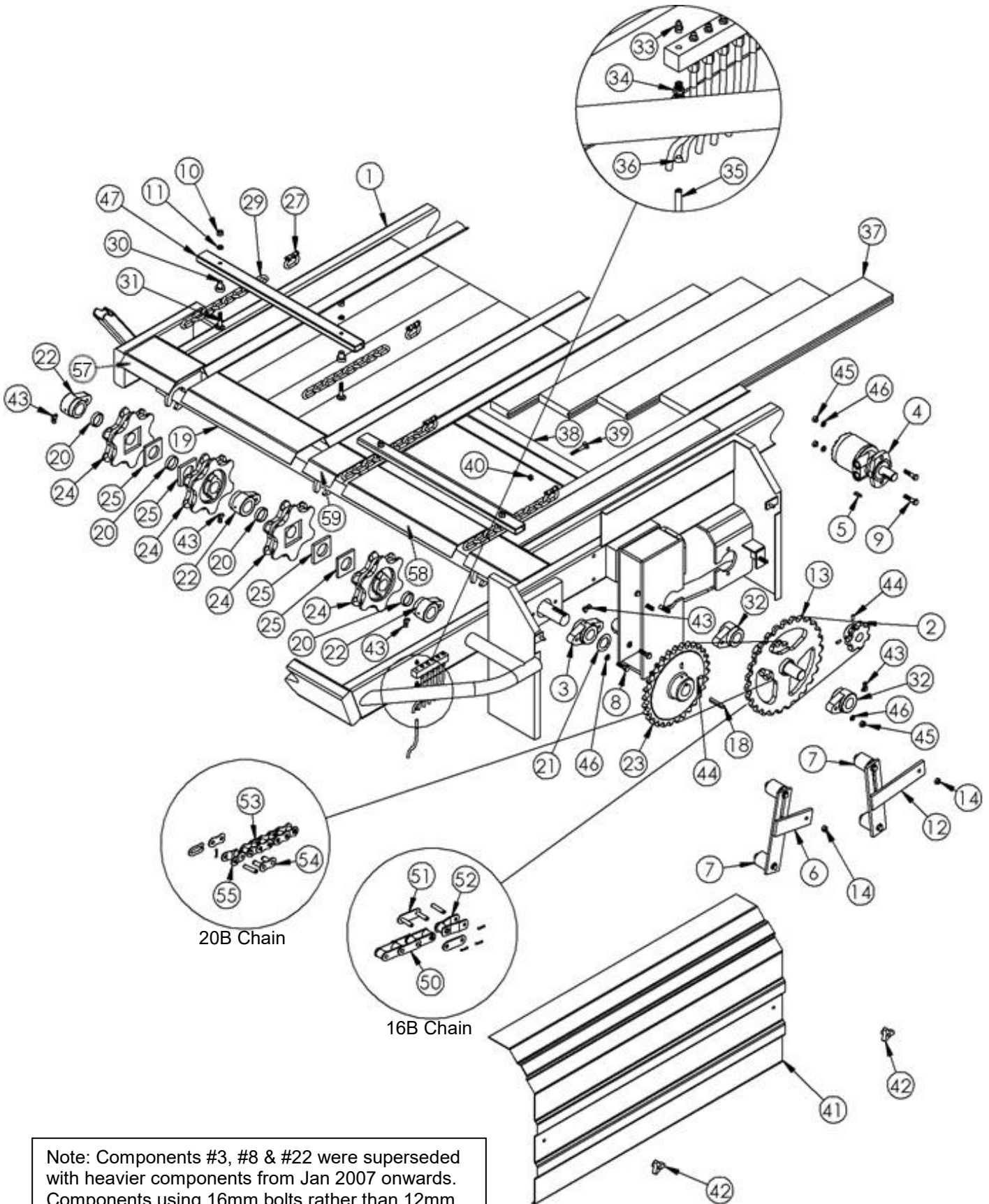
Floor Transmission – RF13



Floor Transmission – RF13

Item	Part Number	Description	Quantity
1	-	Chassis	-
2	210-1039	Sprocket, 7T, CA550	1
3	615-1118	Deadeye, 2 Leg 45mm	1
4	HYM500	Hydraulic Motor	1
5	SK10x8	Motor Key, Key Steel, 10x8 @ 35mm	1
6	595-1076	Chain Tensioner Arm, Short	1
7	595-1062	Nylon Tensioner Block	2
8	B12x40	Bolt, M12x40	2
9	B12x50	Bolt, M12x50	1
10	N12G	Nut, M12 Galvanised	72
11	WASG12	Washer, Spring M12	72
12	595-1070	Chain Tensioner Arm, Long	1
13	210-1086	Sprocket, 27/13T Idler	1
14	NN12	Nut, Nyloc M12	2
18	SK12x12	Key, Parallel 12x12	1
19	510-1301	Shaft, 45mm	1
20	625-0042	Spacer	4
21	WA45	Washer, Flat M45	As reqd.
23	210-1104	Sprocket, 30T 45mm Bore	1
24	210-0030	Sprocket, 6T	4
25	211-0122	Sprocket Drive Square (included with #24)	4
27	230-1007	Chain Joiner	4
29	CH10HTLL	Chain – 4 lengths	10.43m
30	605-3001-1	Stepped Bush	72
31	BCH12X60	Coach bolt M12x60 G8.8	72
32	615-2002	Deadeye, 1 Leg 40mm	2
33	GRN8-ST	Grease Nipple, M8x1.0 Straight	6
34	GDM-GLC6-8	Grease Lube Connector 6mm-8mm	6
35	GDM-GLT6.15	Grease Lube Tube Helios 6mm 1 @ 900mm, 1 @ 770mm, 1 @ 1370mm, 1 @	
36	GDM-GLOLIVE	Olive (included with #34 & 43)	-
37	TIMBER150X40TG	Timber T & G - 4795mm	11
38	TIMBER75X50RS	Timber 75 x 50 RS - 1630mm	10
39	BCH10X70	Coach Bolt	As reqd.
41	580-4058	Transmission Cover	1
-	580-4060	Stainless Transmission Cover	1
42	KNOB547B	Knob	2
-	580-4320	Rubber Latch	2
43	GDM-GLE6-8	Grease Tube Fitting, 90deg	6
44	GSC3/8X1A	Grubscrew, Allen Head 3/8" UNC	3
45	N12	Nut, M12	4
46	WASG12	Washer, Spring M12	6
47	605-2030	Floor Slat (780mm)	34
50	CHCA550	Roller Chain, CA550	1.45m
51	CHCA550J	Roller Chain Joiner, CA550	1
52	CHCA550C	Roller Chain Crank, CA550	as reqd.
53	CH20B	Roller Chain, 20B	1.85m
54	CH20BJ	Roller Chain Joiner, 20B	1
55	CH20BC	Roller Chain Crank, 20B	as reqd.
57	575-0069	Shaft guard – Outer 4ch	2
58	575-0078	Shaft guard – Inner 4ch	2
59	575-0079	Shaft guard – Centre 4ch	1

Floor Transmission – RF16

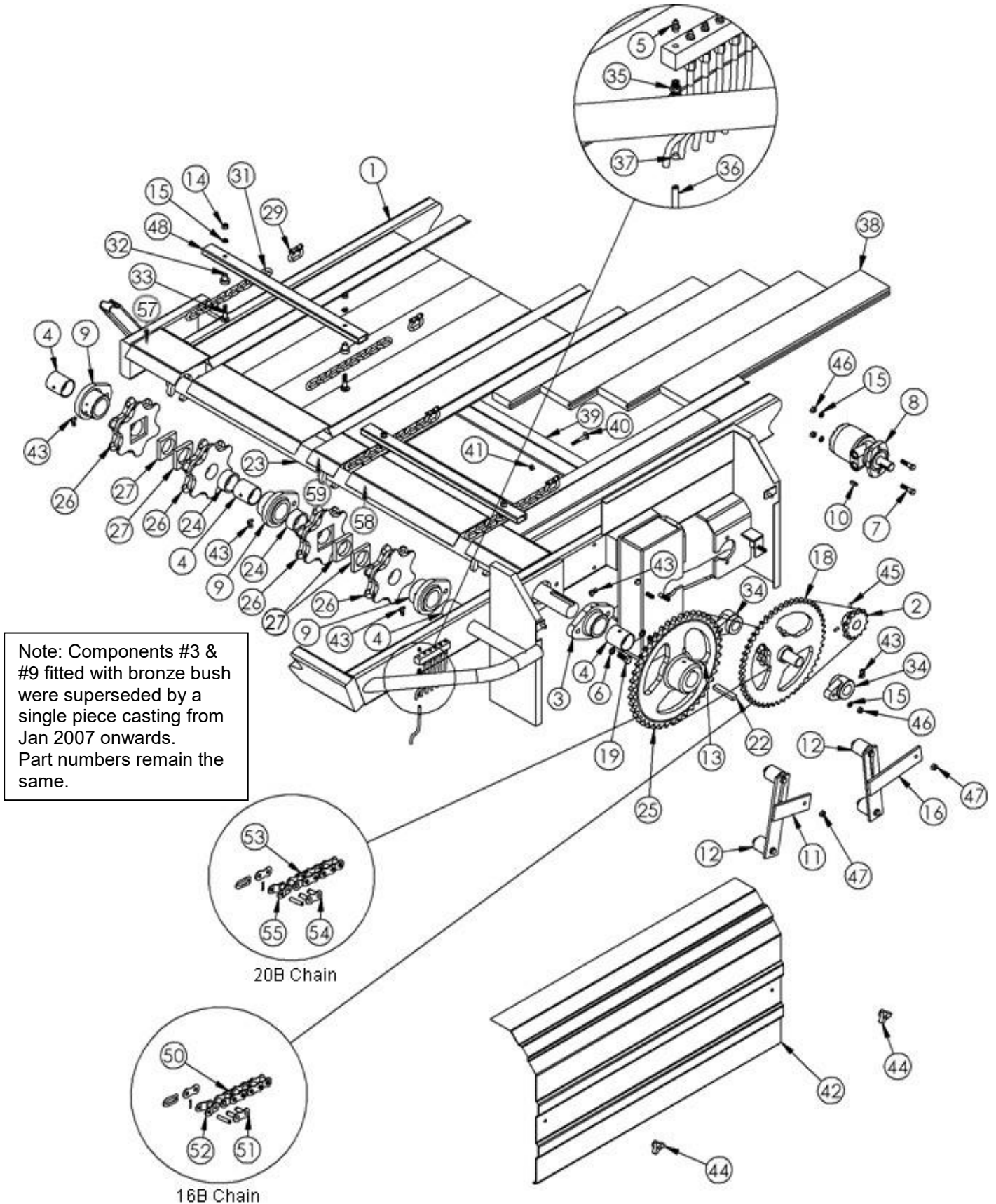


Note: Components #3, #8 & #22 were superseded with heavier components from Jan 2007 onwards. Components using 16mm bolts rather than 12mm are the heavier version.

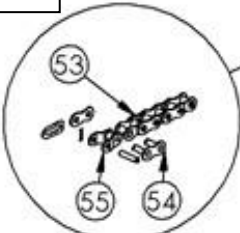
Floor Transmission – RF16

Item	Part Number	Description	Quantity
2	210-1180	Sprocket, 13T, 16B	1
3a	615-1125	Deadeye, 2 Leg, 50mm, 12mm Bolt	1
3b	615-1127	Deadeye, 2 Leg, 50mm, Large Casting, 16mm Bolt	1
4	HYM500	Hydraulic Motor	1
5	SK10x8	Motor Key, Key Steel, 10x8 @ 35mm	1
6	595-1076	Chain Tensioner Arm, Short	1
7	595-1062	Nylon Tensioner Block	2
8a	B12x40	Bolt, M12x40	2
8b	B16x40	Bolt, M16x40	2
9	B12x50	Bolt, M12x50	1
10	N12G	Nut, M12 Galvanised	72
11	WASG12	Washer, Spring M12	72
12	595-1070	Chain Tensioner Arm, Long	1
13	210-1088-1	Sprocket, 50T-13T 16B/20B	1
14	NN12	Nut, Nyloc M12	2
18	SK12x12	Key, Parallel 12x12	1
19	510-1305	Shaft, 50mm	1
20	625-0037	Spacer	4
21	WA50	Washer, Flat M50	As reqd.
22a	615-2043	Deadeye, 1 Leg, 50mm, 12mm Bolt	3
22b	615-2044	Deadeye, 1 Leg, 50mm, Large Casting, 16mm Bolt	3
23	210-1140	Sprocket, 38T 50mm Bore	1
24	210-0031	Sprocket, 6T	4
25	211-0122-1	Sprocket Drive Square (included with #24)	4
27	230-1007	Chain Joiner	4
29	CH10HTLL	Chain – 4 lengths	10.43m
30	605-3001-1	Stepped Bush	72
31	BCH12X60	Coach Bolt, M12	72
32	615-2002	Deadeye, 1 Leg 40mm	2
33	GRN8-ST	Grease Nipple, M8x1.0 Straight	6
34	GDM-GLC6-8	Grease Lube Connector 6mm-8mm	6
35	GDM-GLT6.15	Grease Lube Tube Helios 6mm 1 @ 900mm, 1 @ 770mm, 1 @ 1370mm, 1 @	
36	GDM-GLOLIVE	Olive (included with #34 & 43)	-
37	TIMBER150X40TG	Timber T & G - 4795mm	11
38	TIMBER75X50RS	Timber 75 x 50 RS - 1630mm	-
39	BCH10X70	Coach Bolt	As reqd.
41	580-4058	Transmission Cover	1
-	580-4060	Stainless Transmission Cover	1
42	KNOB547B	Knob	2
-	580-4320	Rubber Latch	2
43	GDM-GLE6-8	Grease Tube Fitting, 90deg	6
44	GSC3/8X1A	Grubscrew, Allen Head 3/8" UNC	3
45	N12	Nut, M12	4
46	WASG12	Washer, Spring M12	6
47	605-2030	Floor Slat	34
50	CH16B	Roller Chain, 16B	1.50m
51	CH16BJ	Roller Chain Joiner, 16B	1
52	CH16B	Roller Chain Crank, 16B	as reqd.
53	CH20B	Roller Chain, 20B	1.85m
54	CH20BJ	Roller Chain Joiner, 20B	1
55	CH20BC	Roller Chain Crank, 20B	as reqd.
57	575-0069	Shaft guard – Outer 4ch	2
58	575-0078	Shaft guard – Inner 4ch	2
59	575-0079	Shaft guard – Centre 4ch	1

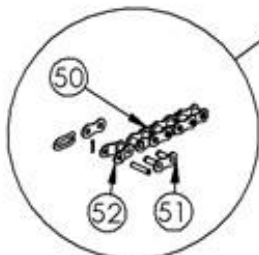
Floor Transmission – RF19 & RF21



Note: Components #3 & #9 fitted with bronze bush were superseded by a single piece casting from Jan 2007 onwards. Part numbers remain the same.



20B Chain

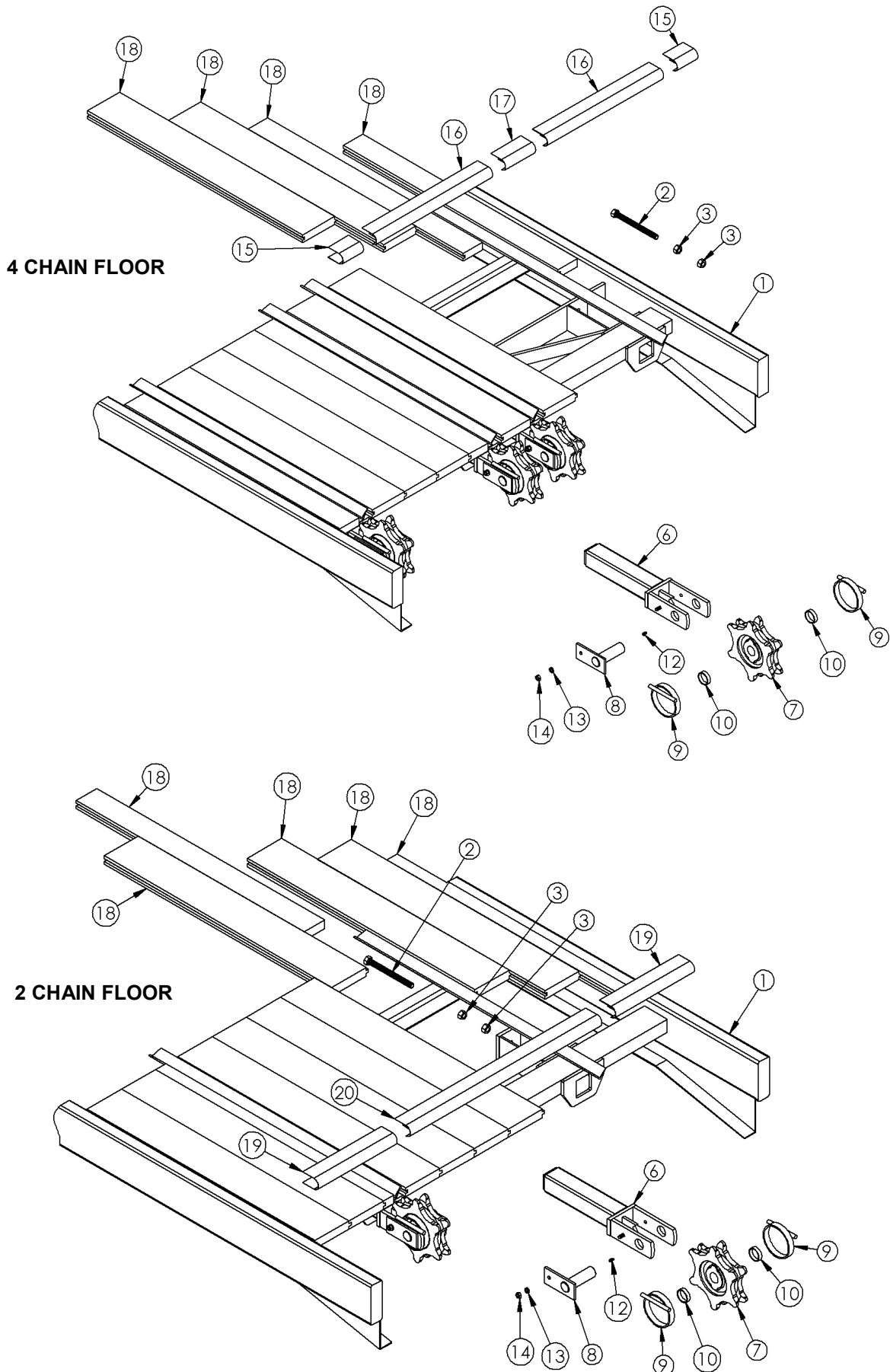


16B Chain

Floor Transmission – RF19 & RF21

Item	Part Number	Description	Quantity	
			RF19	RF21
2	210-1188	Sprocket, 13 Tooth 16B 1-3/8" Bore	1	1
3	615-1132	Deadeye Housing, 2 Leg c/w bush	1	1
4	615-1200	Bush, Bronze 60ID x 75mm (incl. with #3 & 9)	4	4
5	GRN8-ST	Grease Nipple, M8x1.0	6	6
6	WASG16	Washer, Spring M16	2	2
7	B12X45	Bolt, M12x45	2	2
8	HYM625	Hydraulic Motor	1	-
8	HYM785	Hydraulic Motor	-	1
9	615-2058	Deadeye Housing, 1 Leg c/w bush	3	3
10	SK10x8	Motor Key, Key Steel, 10x8 @ 35mm	1	1
11	595-1076	Tensioner Arm, Short	1	1
12	595-1062	Tensioner Bush, Nylon	4	4
13	GSC12x30A	Grubscrew, Allen Head M12x30	2	2
14	N12G	Nut, Galvanised M12	80	88
15	WASG12	Washer, Spring M12	80	88
16	595-1070	Tensioner Arm, Long	1	1
18	210-1088-1	Reduction Sprocket, 50/13 Tooth 40mm Idler	1	1
19	B16x40	Bolt, M16x40	2	2
22	SK20x13	Key, Parallel 20 x 13 x 100mm	1	1
23	510-1309	Floor Shaft - 60mm HT	1	1
24	625-0038	Spacer Bush 60x35	2	2
25	210-1211	Sprocket, 43 Tooth 20B 60mm Bore	1	1
26	210-0032	Sprocket 6 Teeth, 60mm Bore c/w plate	4	4
27	211-0123	Square Drive Plate, Weld On (incl. with #26)	4	4
29	230-1007	Chain Joiner	4	4
31	CH10HTLL	Chain – 13m lengths	4	4
32	605-3001-1	Stepped bush	80	88
33	BCH12X60	Bolt, Coach M12x60	80	88
34	615-2002	Deadeye, 1 Leg 40mm	2	2
35	GDM-GLC6-8	Grease Lube Connector 6mm-8mm	6	6
36	GDM-GLT6.15	Grease Lube Tube Helios 6mm 1 @ 900mm, 1 @		
37	GDM-GLOLIVE	Olive (included with #35 & 43)		
38	TIMBER150X40TG	Timber T & G - 6190mm	11	11
39	TIMBER75X50RS	Timber 75 x 50 RS - 1630mm		12
40	BCH10X70	Bolt, Coach M10x70	-	-
41	N10G	Nut, Galvanised M10	-	-
42	580-4058	Transmission Cover	1	1
-	580-4060	Stainless Transmission Cover	1	1
43	GDM-GLE6-8	Grease Tube Connector 90 deg	6	6
44	KNOB547B	Knob	2	2
-	580-4320	Rubber Latch	2	2
45	GSC3/8X1A	Grubscrew, Allen Head 3/8" UNC	2	2
46	N12	Nut M12	4	4
47	NN12	Nut, Nyloc M12	2	2
48	605-2030	Floor Slat	40	44
50	CH16B	Chain, 16B	1.5m	1.5m
51	CH16BJ	Chain Joiner, 16B	1	1
52	CH16BC	Chain Crank, 16B	1	1
53	CH20B	Chain, 20B	2.0m	2.0m
54	CH20BJ	Chain Joiner, 20B	1	1
55	CH20BC	Chain Crank, 20B	as reqd.	as reqd.
57	575-0069	Shaft guard – Outer 4ch	2	2
58	575-0078	Shaft guard – Inner 4ch	2	2
59	575-0079	Shaft guard – Centre 4ch	1	1

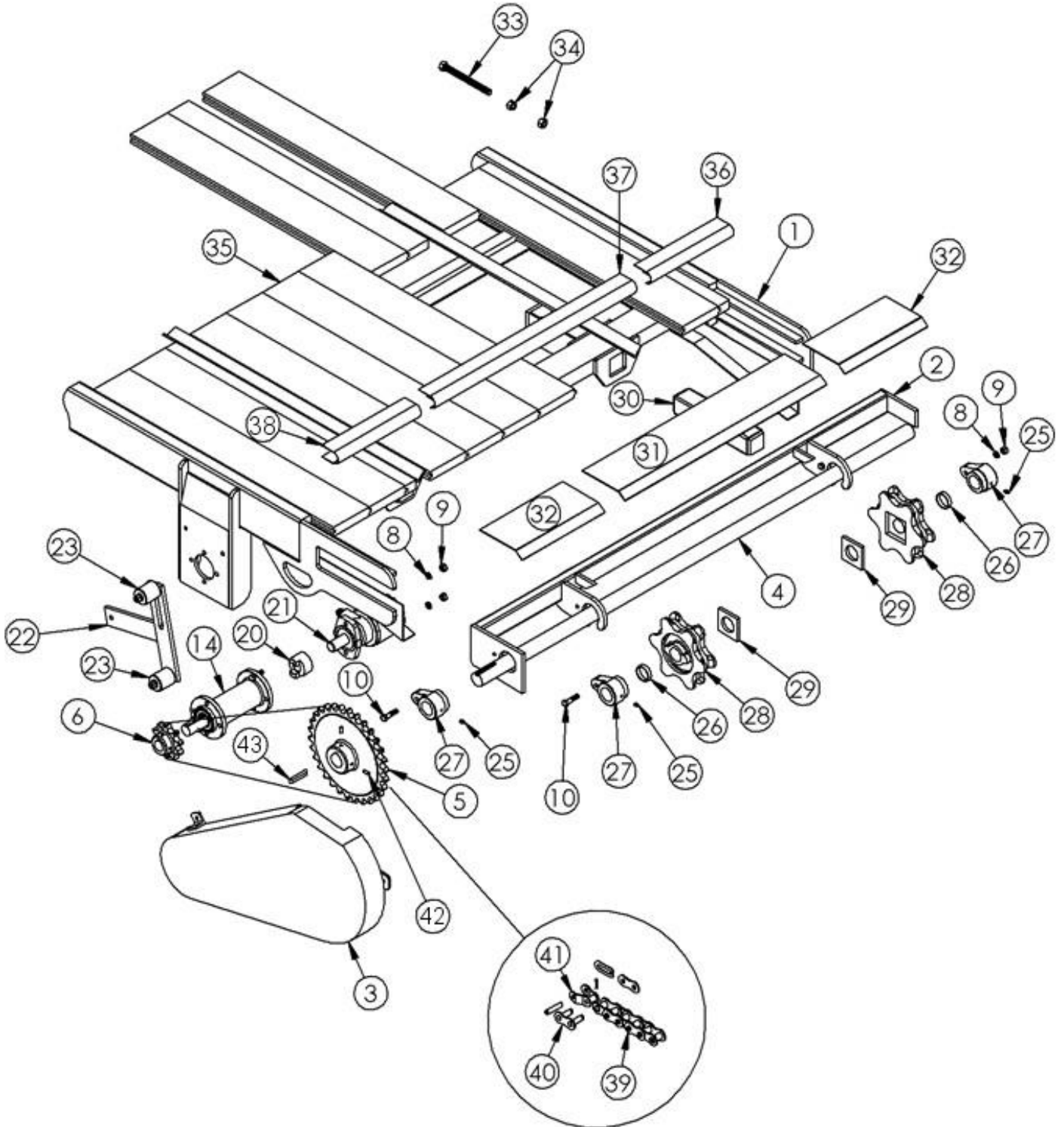
Rear Floor Idler Adjuster Assembly



Rear Floor Idler Adjuster Assembly

Item	Part Number	Description	2 Chain	4 Chain
1	-	Main Chassis	-	-
2	596-1004	Adjusting Tensioner M16x200 c/w nuts	2	4
3	N16	Nut, M16 (included with #2)	4	8
6	571-0087	Box Adjuster	2	4
-	571-0085	Rear Floor Adjuster Assy Rf9-25		
7	210-0012	Sprocket, 6 Tooth 35mm Idler	2	4
8	597-1029	Axle, 35mm	2	4
9	597-1036	Idler Sprocket Spacer c/w Stop	4	8
10	625-0040	Spacer 40x15	4	8
12	GRN8-ST	Grease Nipple 8x1.0 Straight	2	4
13	WASG10	Washer, Spring M10	2	4
14	N10	Nut, M10	2	4
15	575-0042	Floor Timber Protector Outer	-	2
16	575-0051	Floor Timber Protector Inner	-	2
17	575-0052	Floor Timber Protector Center	-	1
18	TIMBER150X40TG	Timber, T & G	11	11
19	575-0042	Floor Timber Protector Left	2	-
20	575-0035	Floor Timber Protector Center	1	-
21	575-0049	Floor timber Protector Right	1	-

Rear Floor Drive Assembly – RF11

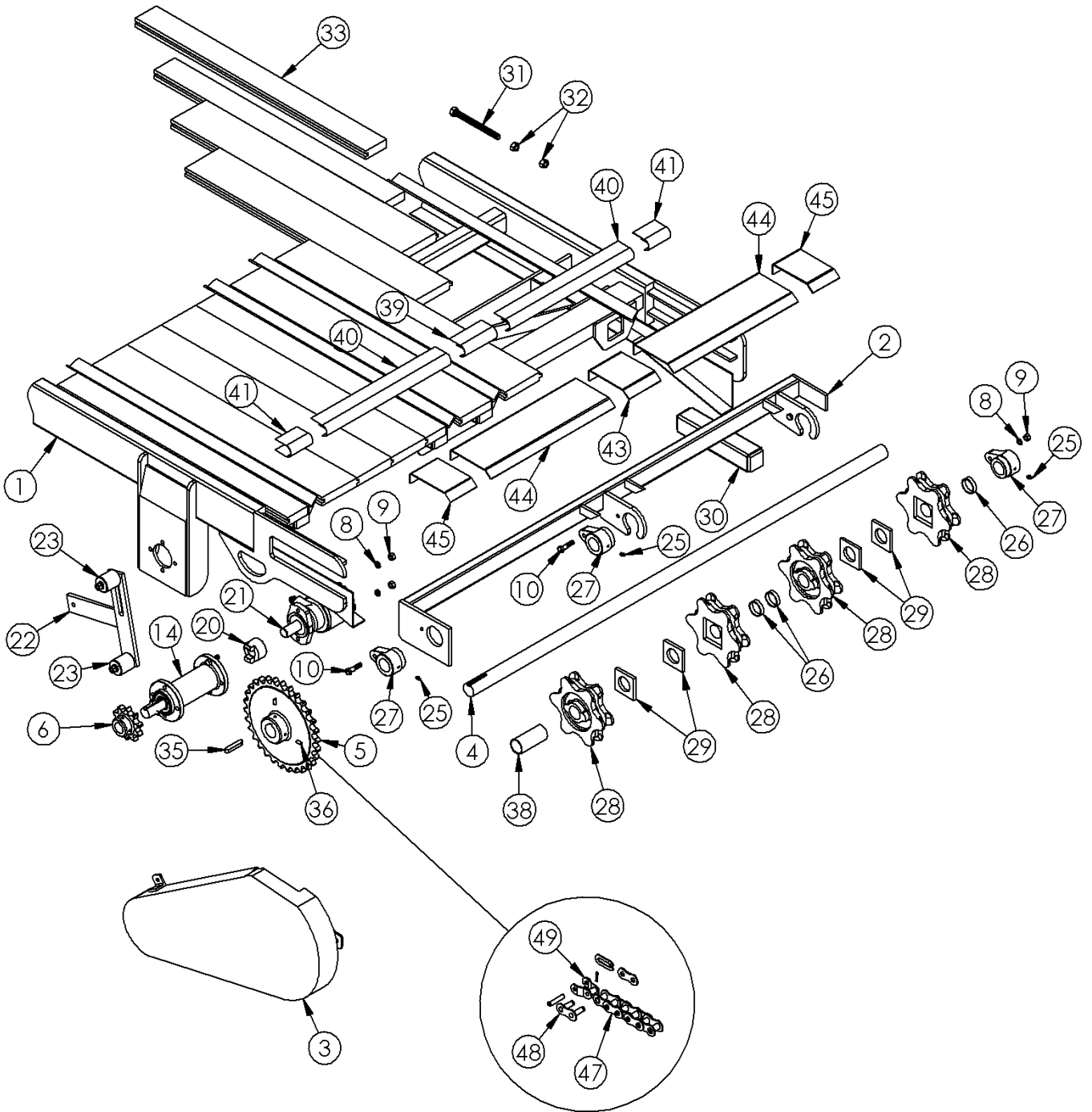


Rear Floor Drive Assembly – RF11

Item	Part Number	Description	Quantity
2	571-0038	Adjuster frame	1
3	571-1078	Cover	1
4	510-1301	Shaft	1
5	210-1083-2	Sprocket, 27T 16B	1
6	210-1182	Sprocket, 13T 16B	1
8	WASG12	Washer, Spring M12	6
9	N12	Nut, M12	6
10	B12x45	Bolt, M12x45	2
14	571-1071	Motor Hanger Assembly	1
20	554-1123	Mechanical Coupling – Male 1-1/4"	1
21	HYM500	Hydraulic Motor	1
22	595-1070	Tensioner Arm	1
23	595-1062	Nylon Chain Tensioner Bush	4
25	GRN8-ST	Grease Nipple, M8x1.0 Straight	6
26	625-0045	Spacer 45x15	2
27	615-2023	Deadeye, 1 Leg 45mm	3
28	210-0030	Sprocket 6 Tooth 45mm Square Drive	2
29	211-0121	Weld-on Square, 50mm hole (included with #28)	2
30	571-0087-1	Box adjuster	2
31	580-1017	Cover plate	1
32	580-1010	Cover plate	2
33	596-1004	Adjuster screw	3
34	N16	Nut	6
35	TIMBER150X40TG	Timber T & G	11
36	575-0049	Timber protector RH	2
37	575-0035	Timber protector Center	1
38	575-0042	Timber Protector LH	4
39	CH16B	Roller Chain, 16B	1.86m
40	CH16BJ	Roller Chain Joiner, 16B	1
41	CH16BC	Roller Chain Crank, 16B	as reqd.
42	GSC3/8X1/2A	Grubscrew, Allen Head 3/8" UNC	4
43	SK12x12	Key, Parallel 12x12	1

Rear Floor Drive Assembly – RF13 & RF16

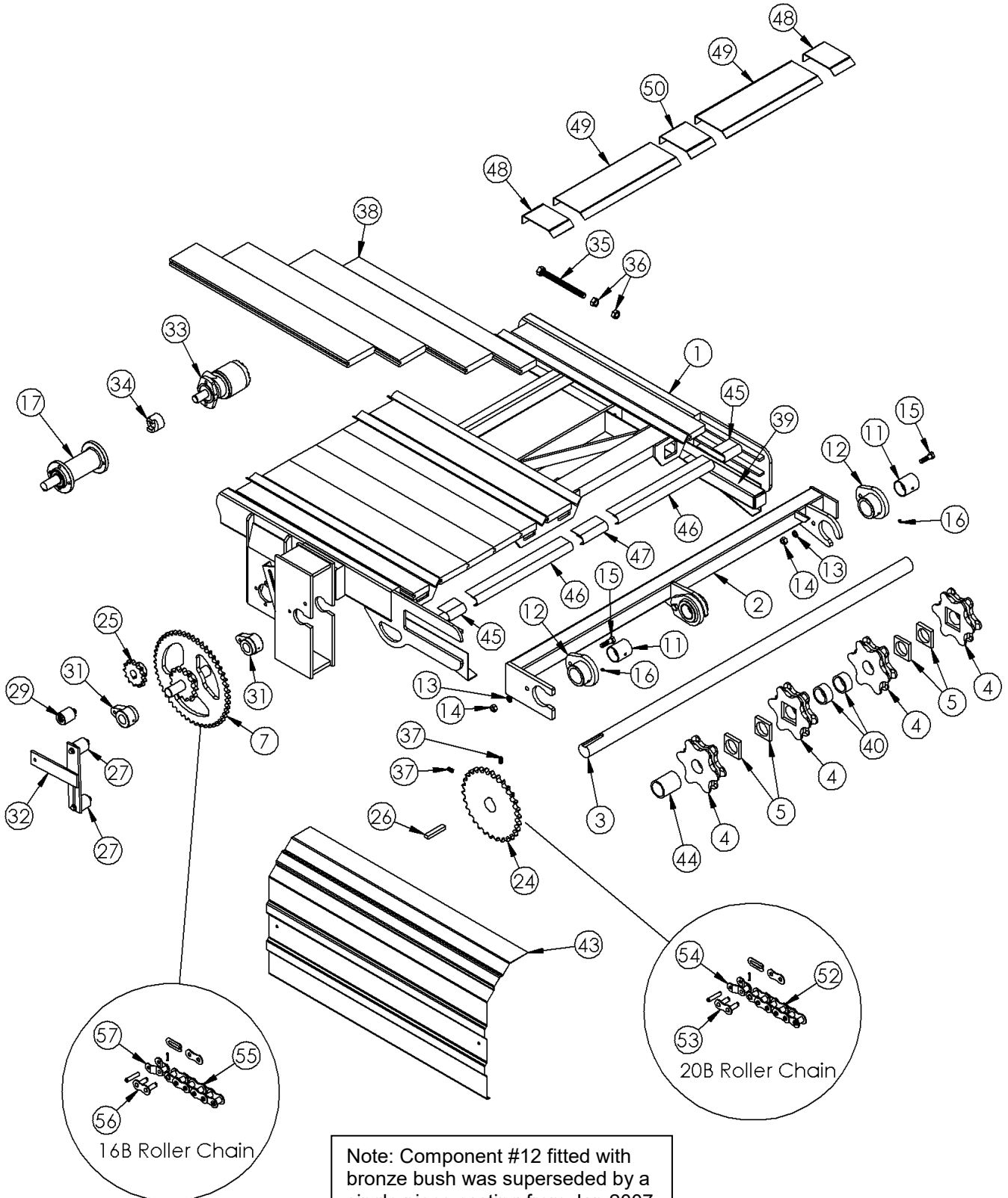
Note: On RF16 models, component #27 was superseded with heavier type from Jan 2007 onwards.
Components using 16mm bolts rather than 12mm are the heavier version.



Rear Floor Drive Assembly – RF13 & RF16

Item	Part Number	Description	Quantity	
			RF13	RF16
2	571-0039-1	Adjuster frame	1	1
3	571-1078	Transmission Cover	1	1
4	510-1301	Shaft, 45mm	1	
4	510-1305	Shaft, 50mm		1
5	210-1104	Sprocket, 30T, 20B	1	
5	210-1140	Sprocket, 38T, 20B		1
6	210-1065.1	Sprocket, 10T, 20B	1	1
8	WASG12	Washer, Spring M12	6	6
9	N12	Nut, M12	4	
10	B12x50	Bolt, M12x50	1	
14	571-1071	Motor Hanger Assembly	1	1
20	554-1123	Mechanical Coupling – Male 1-1/4"	1	
20	554-1134	Mechanical Coupling – Male 1-3/8"		1
21	HYM500	Hydraulic Motor	1	
21	HYM625	Hydraulic Motor		1
22	595-1070	Chain Tensioner Arm	1	1
23	595-1062	Nylon Tensioner Block	2	2
25	GRN8-ST	Grease Nipple, M8x1.0 Straight	3	3
26	625-0042	Spacer	4	
26	625-0037	Spacer		4
27	615-2023	Deadeye, 1 Leg 45mm	3	
27	615-2043	Deadeye, 1 Leg 50mm		3
28	210-0030	Sprocket, 6T	4	
28	210-0031	Sprocket, 6T		4
29	211-0122	Sprocket Drive Square (included with #28)	4	
29	211-0122-1	Sprocket Drive Square (included with #28)		4
30	571-0087-1	Box adjuster	4	4
31	596-1004	Threaded Adjuster	3	3
32	N16	Nut, M16 (included with #31)	6	6
33	TIMBER150X40TG	Timber T & G	11	11
35	SK12x12	Key, Parallel 12x12	1	1
36	GSC3/8X1A	Grubscrew, Allen Head 3/8" UNC	4	4
39	575-0052	Timber Protector Outer	1	1
40	575-0051	Timber Protector Inner	2	2
41	575-0050	Timber Protector Center	2	2
43	-	Cover Plate	1	1
44	-	Cover Plate	2	2
45	-	Cover Plate	2	2
47	CH20B	Roller Chain, 20B	1.85m	1.85m
48	CH20BJ	Roller Chain Joiner, 20B	1	1
49	CH20BC	Roller Chain Crank, 20B	as reqd.	as reqd.

Rear Floor Drive Assembly – RF19 & RF21

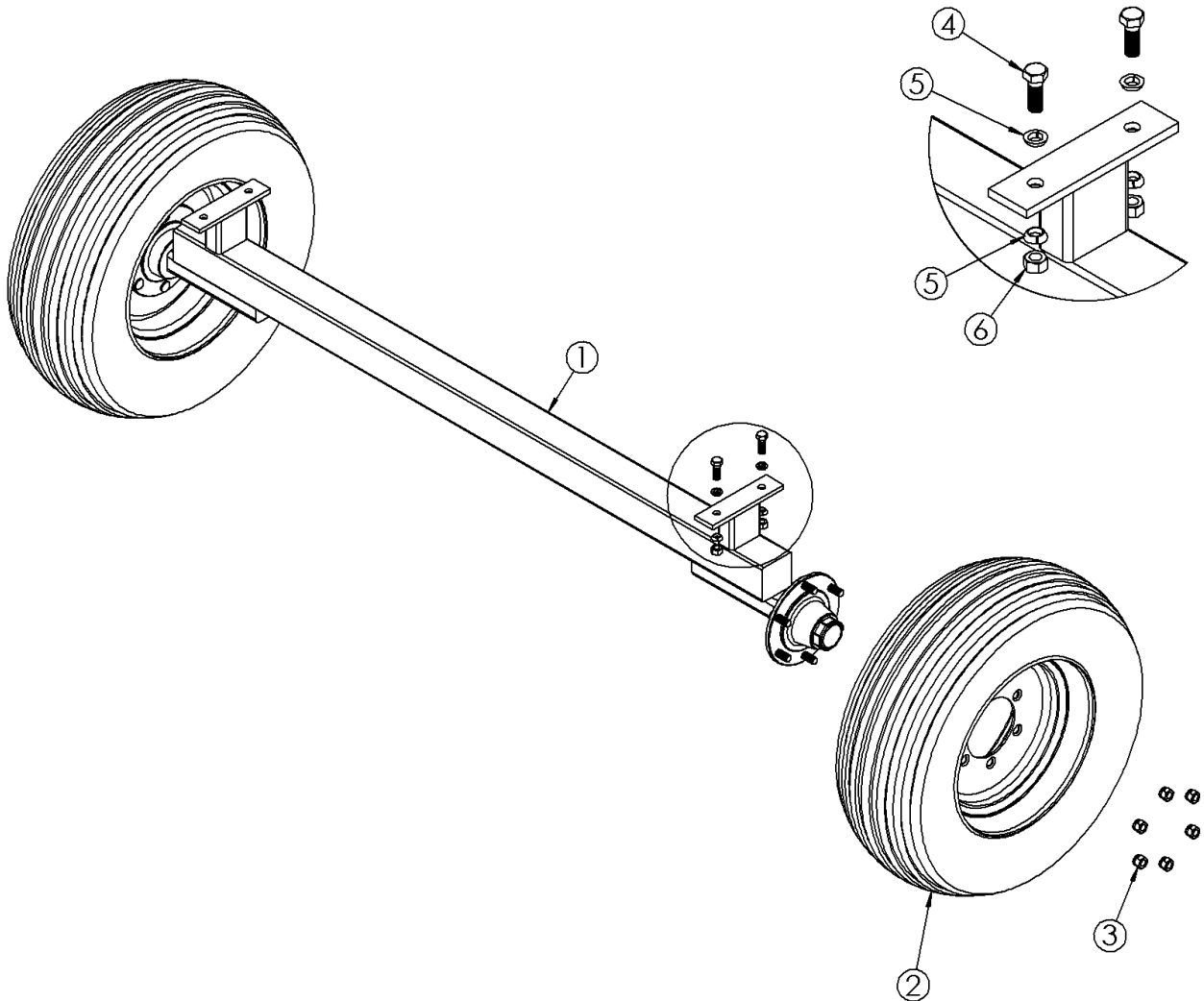


Note: Component #12 fitted with bronze bush was superseded by a single piece casting from Jan 2007 onwards.
Part numbers remain the same.

Rear Floor Drive Assembly – RF19 & RF21

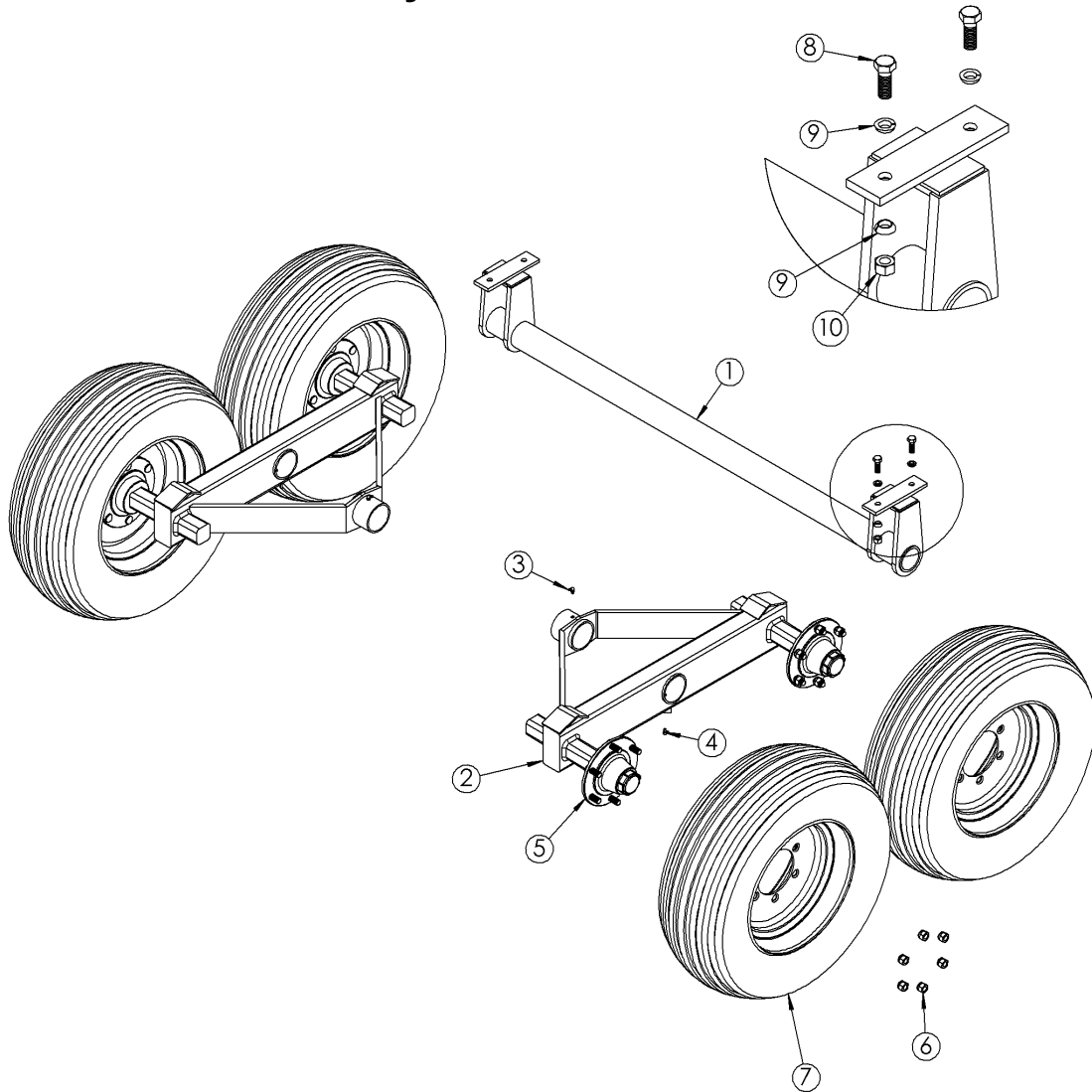
Item	Part Number	Description	Quantity	
			RF19	RF21
2	571-0046-1	Adjuster frame	1	1
3	510-1309	Floor Shaft - 60mm HT	1	1
4	210-0032	Sprocket 6 Teeth, 60mm Bore c/w plate	4	4
5	211-0123	Square Drive Plate, Weld On (incl. with #4)	4	4
7	210-1088-1	Reduction Sprocket, 50/13 Tooth 40mm Idler	1	1
11	615-1200	Bush, Bronze 60ID x 75mm (incl. with #12)	4	4
12	615-2058	Deadeye Housing, 1 Leg c/w bush	3	3
13	WASG16	Washer, Spring M16	2	2
14	N16	Nut, M16	4	4
15	B16x40	Bolt, M16x40	2	2
16	GRN8-ST	Grease Nipple, M8x1.0	6	6
17	571-1071	Motor Hanger Assembly	1	1
24	210-1104-1	Sprocket, 30 Tooth, 20B, 60mm Bore	1	1
25	210-1188	Sprocket, 13 Tooth 16B 1-3/8" Bore	1	1
26	SK20x13	Key, Parallel 20 x 13 x 100mm	1	1
27	595-1062	Tensioner Bush, Nylon	4	4
29	595-1062	Tensioner Bush, Nylon	1	1
31	615-2002	Deadeye, 1 Leg 40mm	2	2
32	595-1070	Tensioner Arm	1	1
33	HYM625	Hydraulic Motor	1	
33	HYM785	Hydraulic Motor		1
34	554-1134	Mechanical Coupling – Male 1-3/8"	1	1
35	596-1025	Threaded Adjuster	4	4
36	N20	Nut, M20 (included with #35)	8	8
37	GSC12x30A	Grubscrew, Allen Head M12x30	2	2
38	TIMBER150X40TG	Timber T & G	11	11
39	571-0087-1	Box adjuster	4	4
40	625-0038	Spacer Bush 60x35	2	2
43	580-4058	Transmission Cover	1	1
45	575-0050	Timber Protector Outer	2	2
46	575-0051	Timber Protector Inner	2	2
47	575-0052	Timber Protector Center	1	1
48	-	Cover Plate	2	2
49	-	Cover Plate	2	2
50	-	Cover Plate	1	1
52	CH20B	Chain, 20B	2.0m	2.0m
53	CH20BJ	Chain Joiner, 20B	1	1
54	CH20BC	Chain Crank, 20B	as reqd.	as reqd.
55	CH16B	Chain, 16B	1.5m	1.5m
56	CH16BJ	Chain Joiner, 16B	1	1
57	CH16BC	Chain Crank, 16B	as reqd.	as reqd.

Single Axle Assembly – RF9



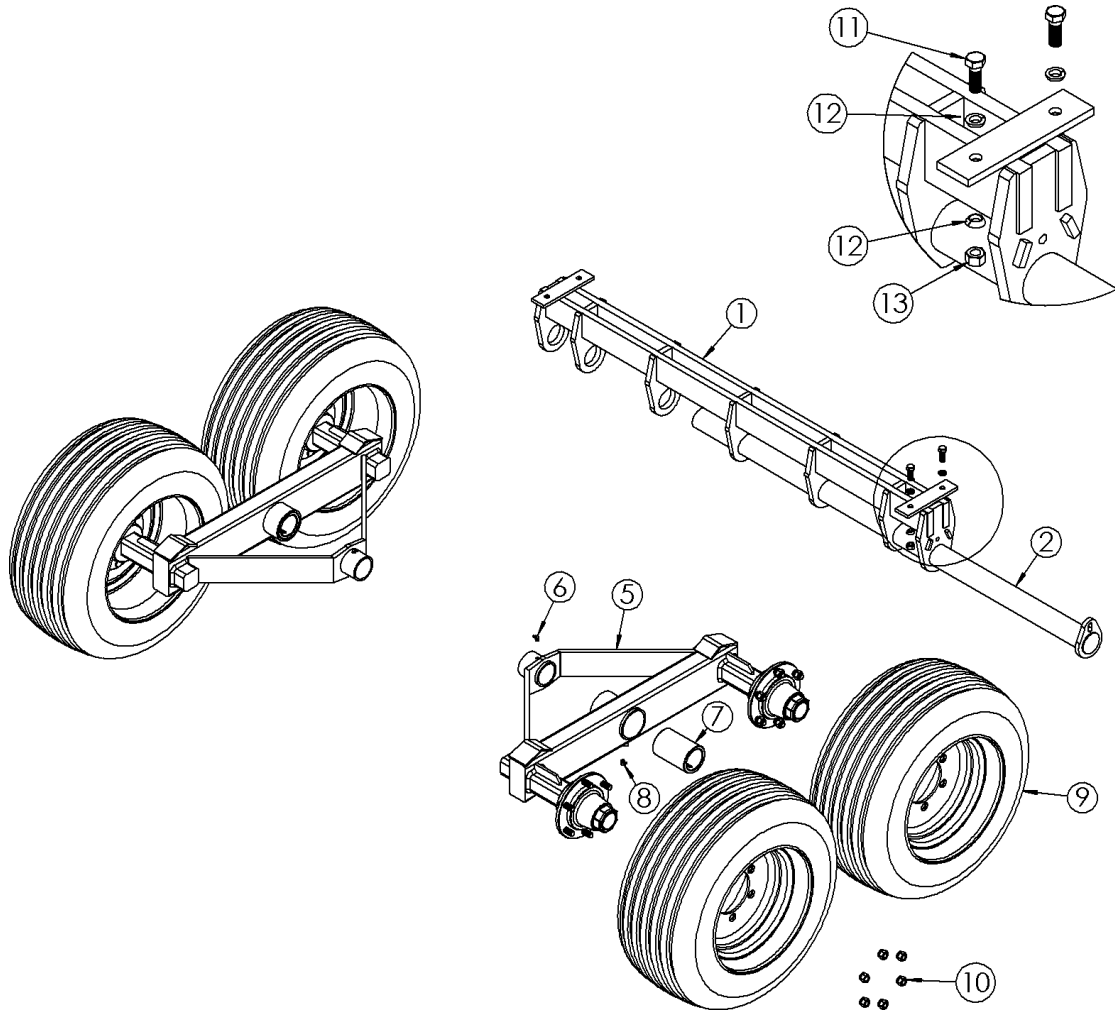
Item	Part Number	Description	Quantity Used
1	-	Axle Beam, 60sq Hubs	1
2	WHLA11.5/80-12	Wheel Assembly 11.5/80-15.3	2
3	110-0917	Wheel Nut, M18x1.5	12
4	B16x45	Bolt, M16x45	4
5	S51239	Washer, Conical M16	8
6	N16	Nut, M16	4

Tandem Axle Assembly – RF9 & RF11



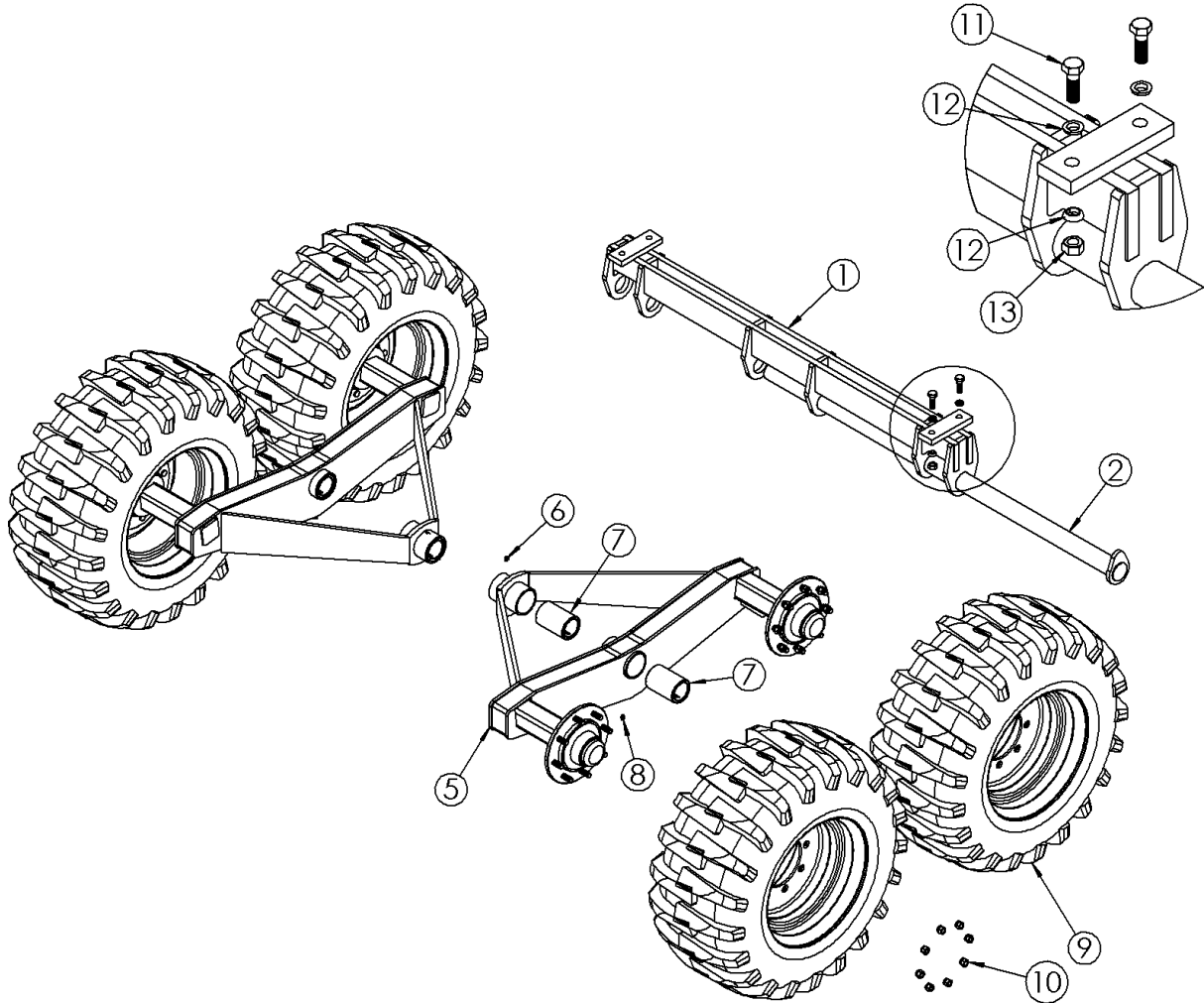
Item	Part Number	Description	Quantity Used	
			RF9	RF11
2	110-0250	Hub Mount, 60sq Hubs	2	-
2	110-0262	Hub Mount, 70sq Hubs	-	2
3	GRN1/8-90	Grease Nipple, 1/8" BSP 90deg	2	2
4	GRN1/8-90	Grease Nipple, 1/8" BSP 90deg	2	2
6	110-0917	Wheel Nut, M18x1.5	24	24
7	WHLA11.5/80-12	Wheel Assembly 11.5/80x15.3	4	4
8	B16x45	Bolt, M16x45	4	4
9	S51239	Washer, Conical M16	8	8
10	N16	Nut, M16	4	4

Tandem Axle Assembly – RF13 & RF16



Item	Part Number	Description	Quantity Used	
			RF13	RF16
1	110-0556	Axle Beam	1	1
2	110-0507	Axle Pivot Shaft	1	1
5	110-0264	Hub Mount	2	-
5	110-0260	Hub Mount	-	2
6	GRN1/8-90	Grease Nipple, 1/8" BSP 90deg	2	2
7	110-0114	Plastic Bush 3"x4" @ 150mm	2	2
8	GRN1/8-90	Grease Nipple, 1/8" BSP 90deg	2	2
9	WHLA400X15.5-146T	Wheel Assembly 400/60 x 15.5	4	-
9	WHLA15/70-18	Wheel Assembly 15/70-18	-	4
10	110-0917	Wheel Nut, M18x1.5	24	32
11	B16x45	Bolt, M16x45	4	4
12	S51239	Washer, Conical M16	4	4
13	N16	Nut, M16	4	4

Tandem Axle Assembly – RF19 & RF21

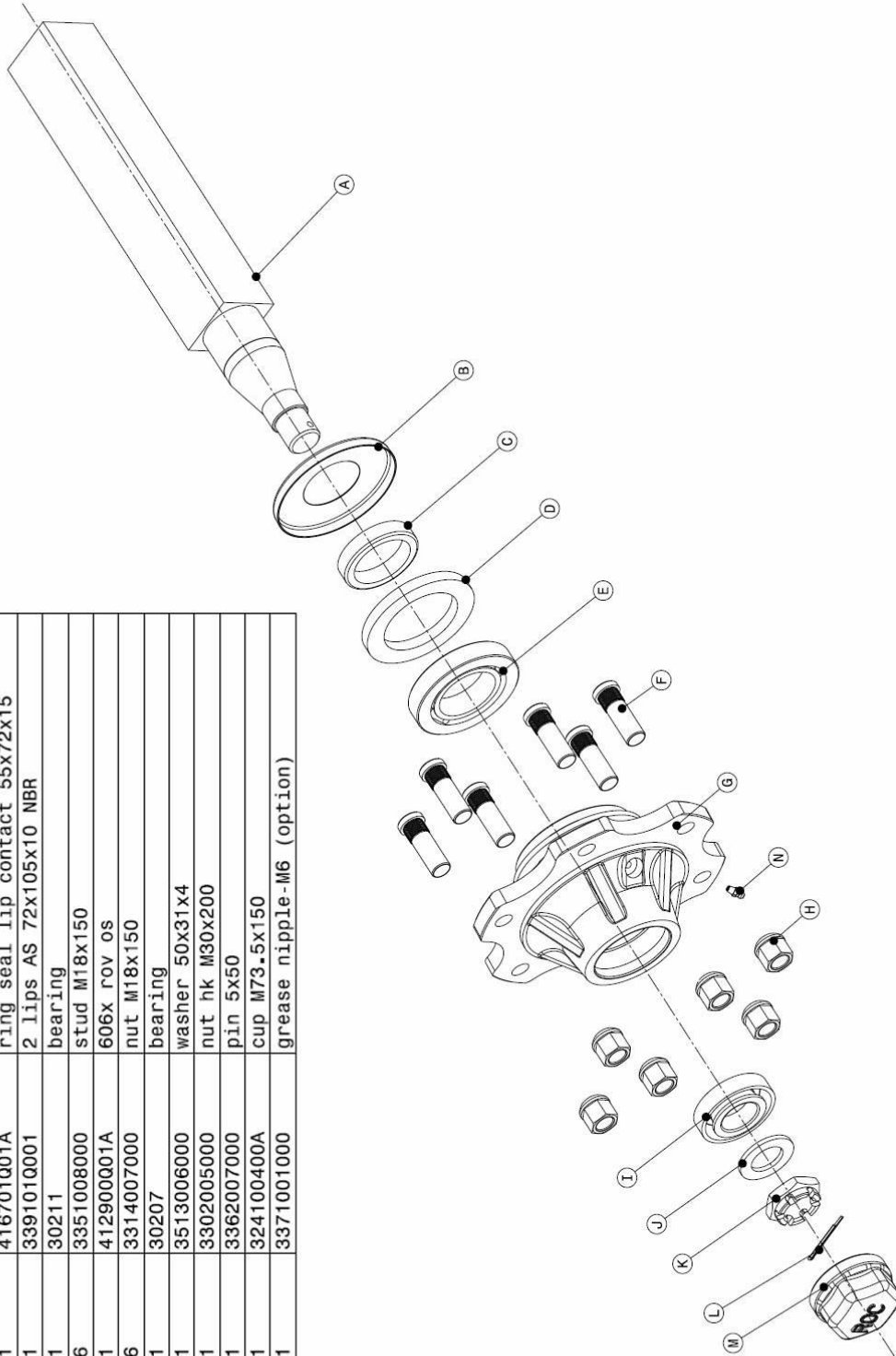


Item	Part Number	Description	Quantity Used
1	110-0560	Axle Beam	1
2	110-0520	Axle Pivot Shaft	1
5	110-0269	Hub Mount	2
6	GRN1/8-90	Grease Nipple, 1/8" BSP 90deg	2
7	110-0114	Plastic Bush 3"x4" @ 150mm	4
8	GRN1/8-90	Grease Nipple, 1/8" BSP 90deg	2
9	WHLA400R22.5-8	Wheel Assembly 400/70R22.5 8 STUD	4
10	110-0919	Wheel Nut, M20x1.5	32
11	B20x70	Bolt, M20x70	4
12	S51245	Washer, Conical M20	4
13	N20	Nut, M20	4

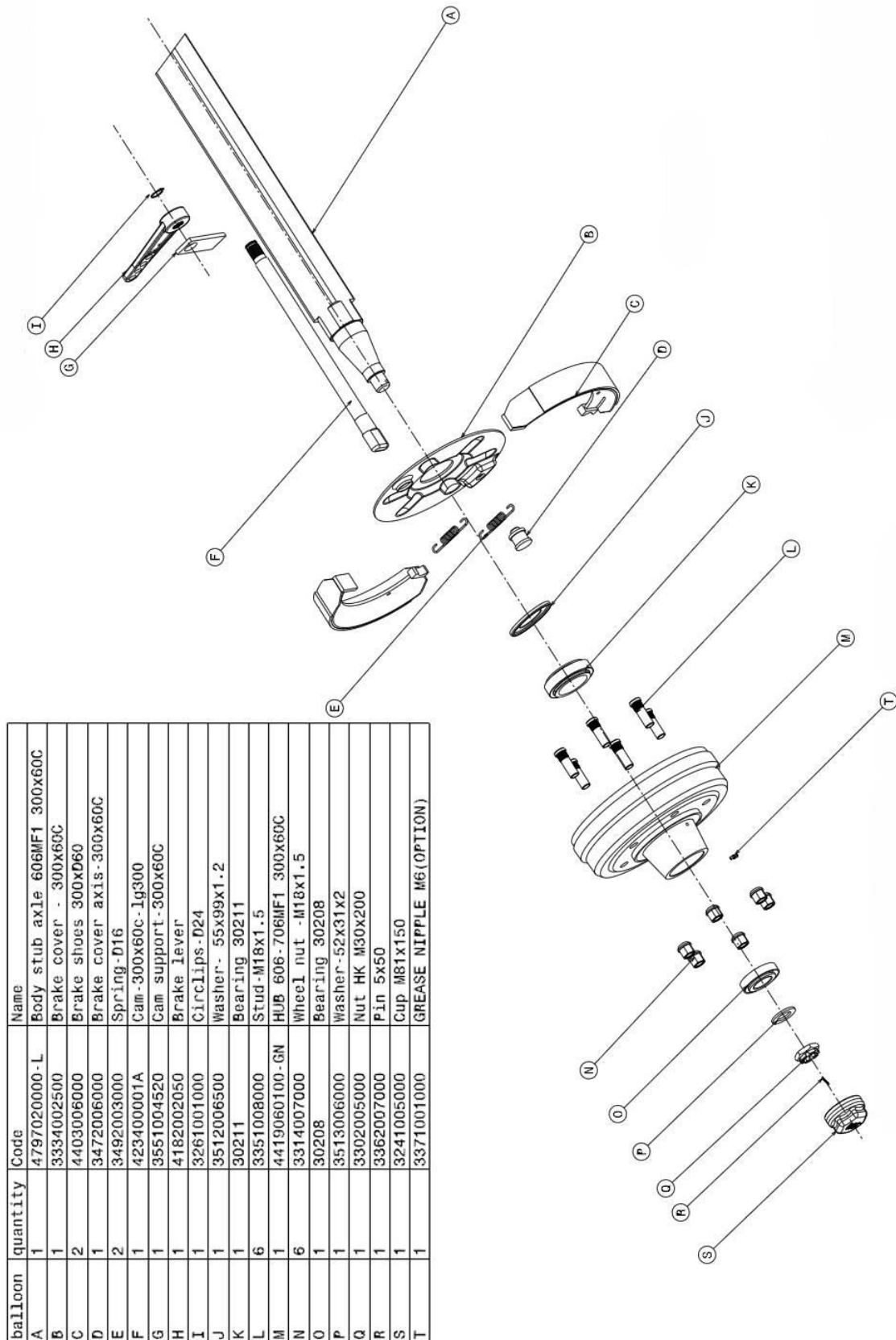
Monroc Hubs

60x60 Stub

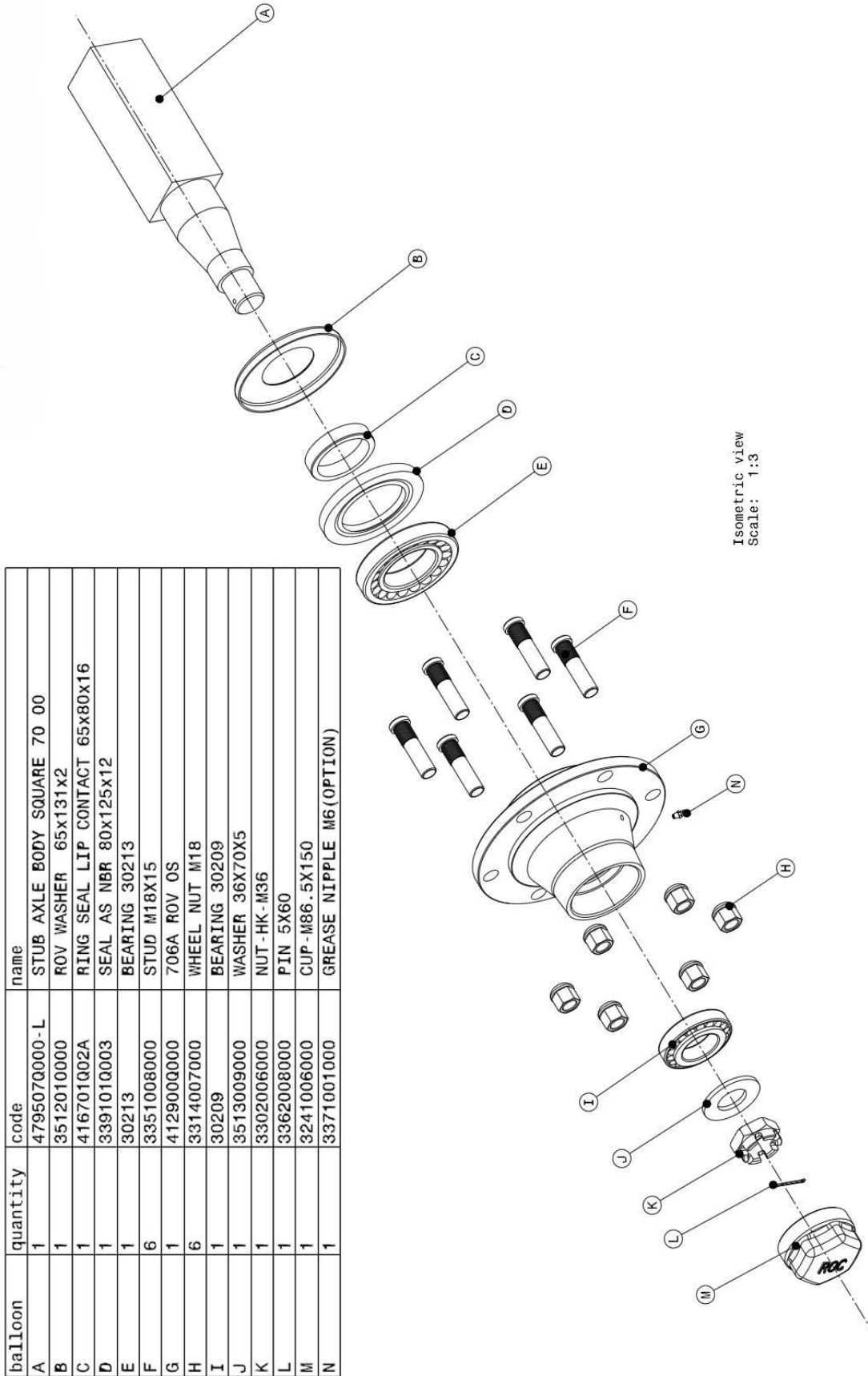
balloon	quantity	code	name
A	1	4795060000 - L	stub axle body square 60 00
B	1	351200700A	protective metal seal
C	1	416701001A	ring seal lip contact 55x72x15
D	1	3391010001	2 lips AS 72x105x10 NBR
E	1	30211	bearing
F	6	3351008000	stud M18x150
G	1	412900001A	606x rov os
H	6	3314007000	nut M18x150
I	1	30207	bearing
J	1	3513006000	washer 50x31x4
K	1	3302005000	nut hk M30x200
L	1	3362007000	pin 5x50
M	1	324100400A	cup M73-5x150
N	1	3371001000	grease nipple-M6 (option)



300x60C Stub



70x70 Stub

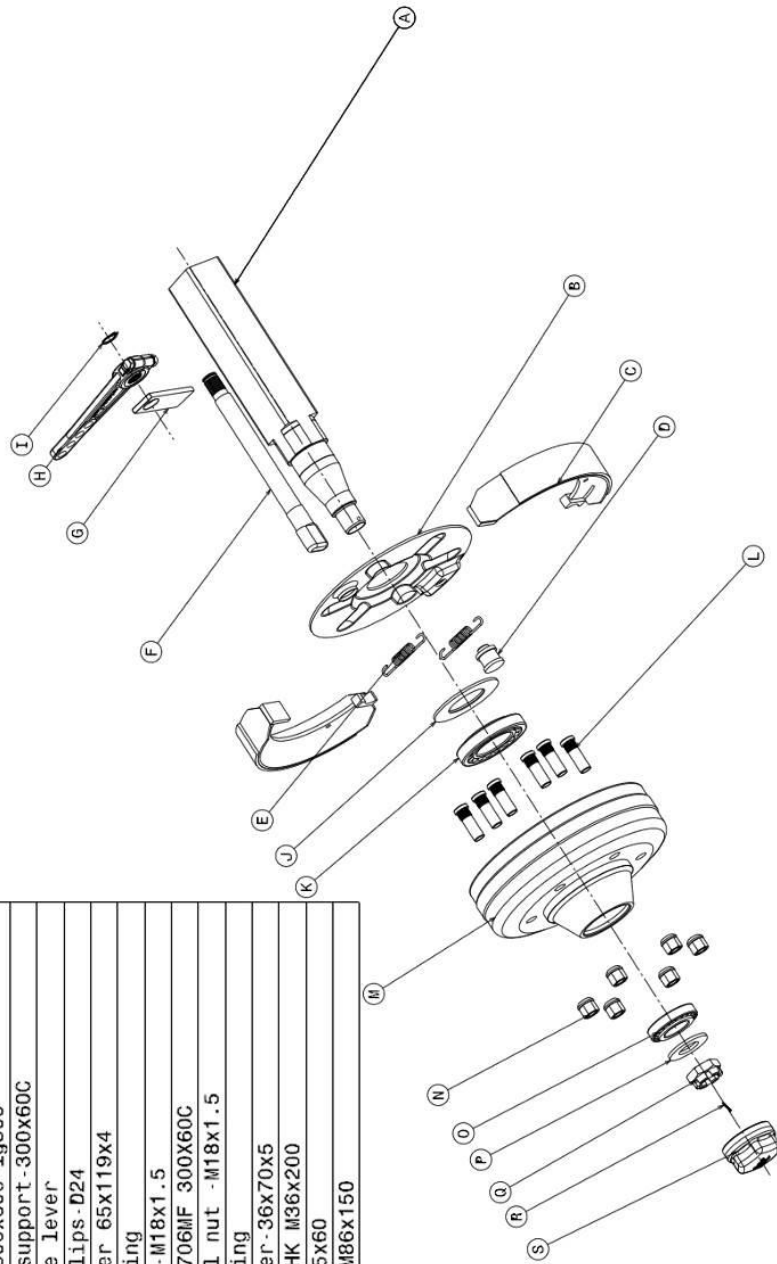


Isometric view
Scale: 1:3

balloon	quantity	code	name
A	1	4795070000-L	STUB AXLE BODY SQUARE 70 00
B	1	3512010000	ROV WASHER 65x131x2
C	1	416701002A	RING SEAL LIP CONTACT 65x80x16
D	1	3391010003	SEAL AS NBR 80x125x12
E	1	30213	BEARING 30213
F	6	3351008000	STUD M18X15
G	1	4129000000	706A ROV OS
H	6	3314007000	WHEEL NUT M18
I	1	30209	BEARING 30209
J	1	3513009000	WASHER 36X70X5
K	1	3302006000	NUT-HK-M36
L	1	3362008000	PIN 5X60
M	1	3241006000	CUP-M86.5X150
N	1	3371001000	GREASE NIPPLE M6(OPTION)

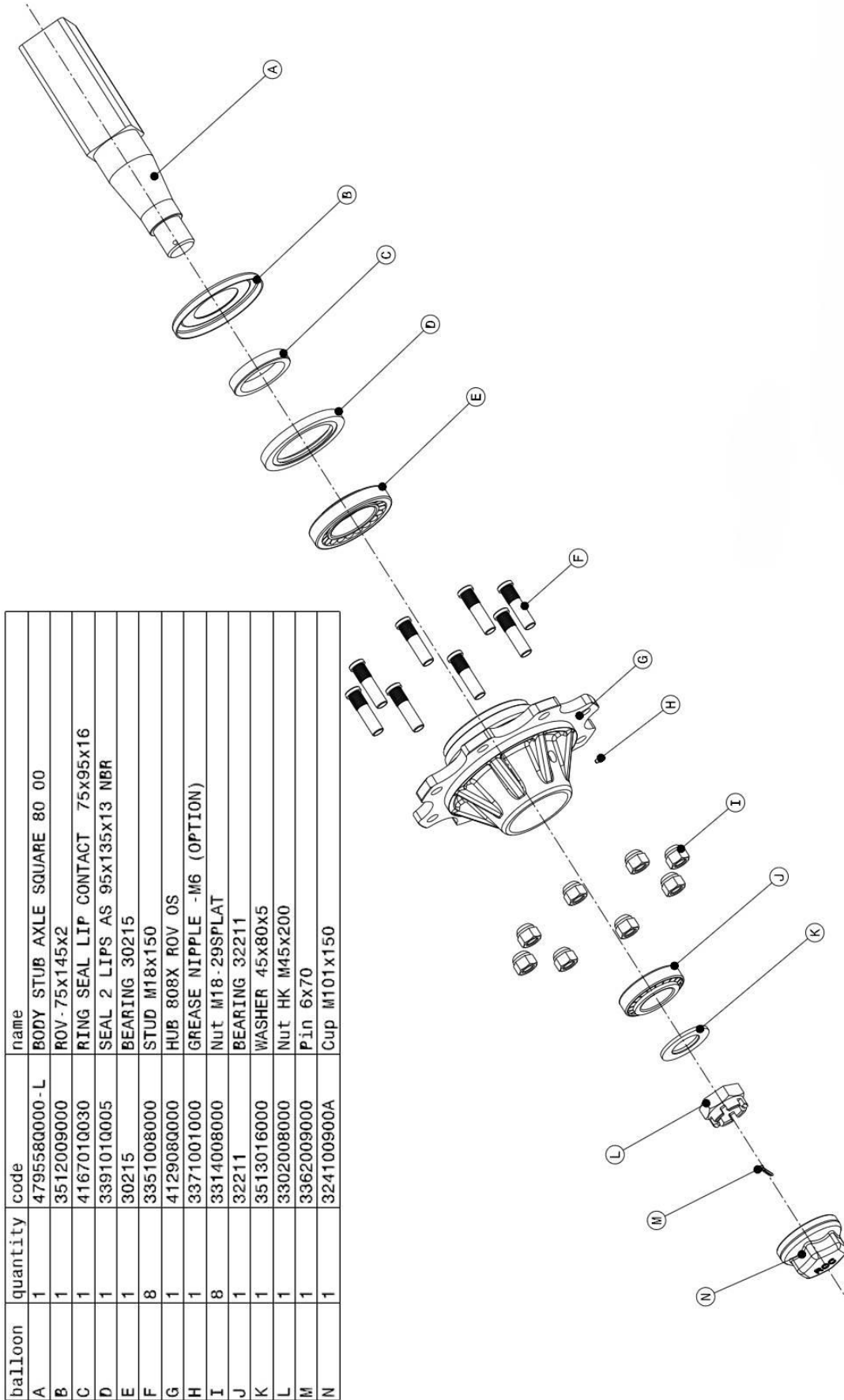
300x70C Stub

Balloon	Quantity	Code	Name
A	1	4797060000-L	Body STUB AXLE 706MF 300x60C
B	1	3334003000	Brake cover - 300x60C
C	2	4403006000	Brake shoes 300xD60
D	1	347200600A	Brake cover axis-300x60C
E	1	3492003000	Spring-D16
F	1	423400001A	Cam-300x60c-1g300
G	1	3551007000	Cam support-300x60C
H	1	2182008500	Brake lever
I	1	3261001000	Circlips-D24
J	1	3513023000	Washer 65x119x4
K	1	30213	Bearing
L	6	3351008000	Stud-M18x1.5
M	1	4419080100	Hub-706MF 300x60C
N	6	3314007000	Wheel nut - M18x1.5
O	1	30209	Bearing
P	1	3513009000	Washer-36x70x5
Q	1	3302006000	Nut HK M36x200
R	1	3362008000	Pin 5x60
S	1	3241006000	Cup M86x150



RF Forage Wagon Operating Manual

80x80 Stub

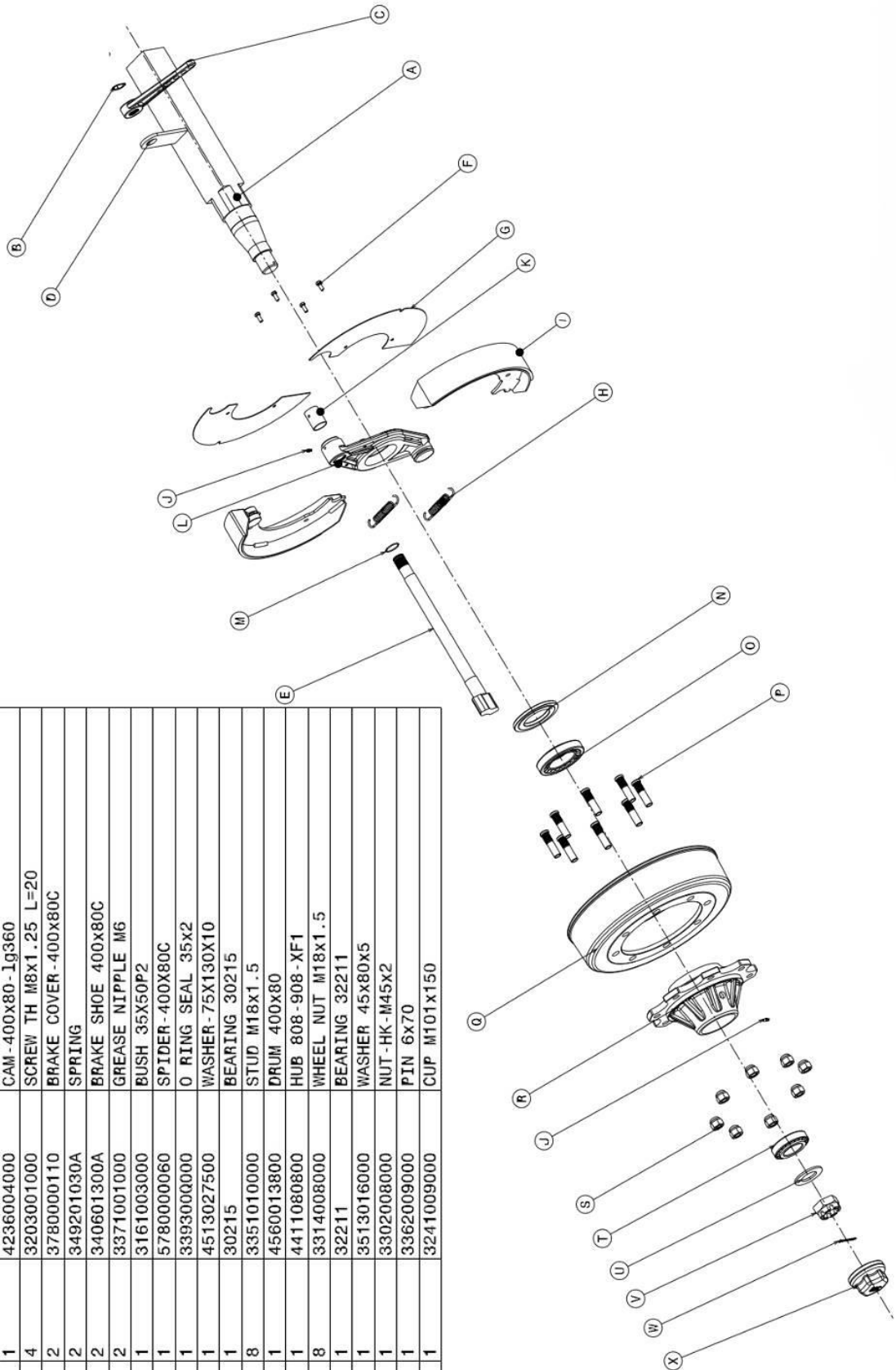


balloon	quantity	code	name
A	1	4795580000-L	BODY STUB AXLE SQUARE 80 00
B	1	3512009000	ROV .75x145x2
C	1	4167010030	RING SEAL LIP CONTACT 75x95x16
D	1	3391010005	SEAL 2 LIPS AS 95x135x13 NBR
E	1	30215	BEARING 30215
F	8	3351008000	STUD M18x150
G	1	4129080000	HUB 808X ROV OS
H	1	3371001000	GREASE NIPPLE -M6 (OPTION)
I	8	3314008000	Nut M18 .29SPLAT
J	1	32211	BEARING 32211
K	1	3513016000	WASHER 45x80x5
L	1	3302008000	Nut HK M45x200
M	1	3362009000	Pin 6x70
N	1	324100900A	Cup M101x150

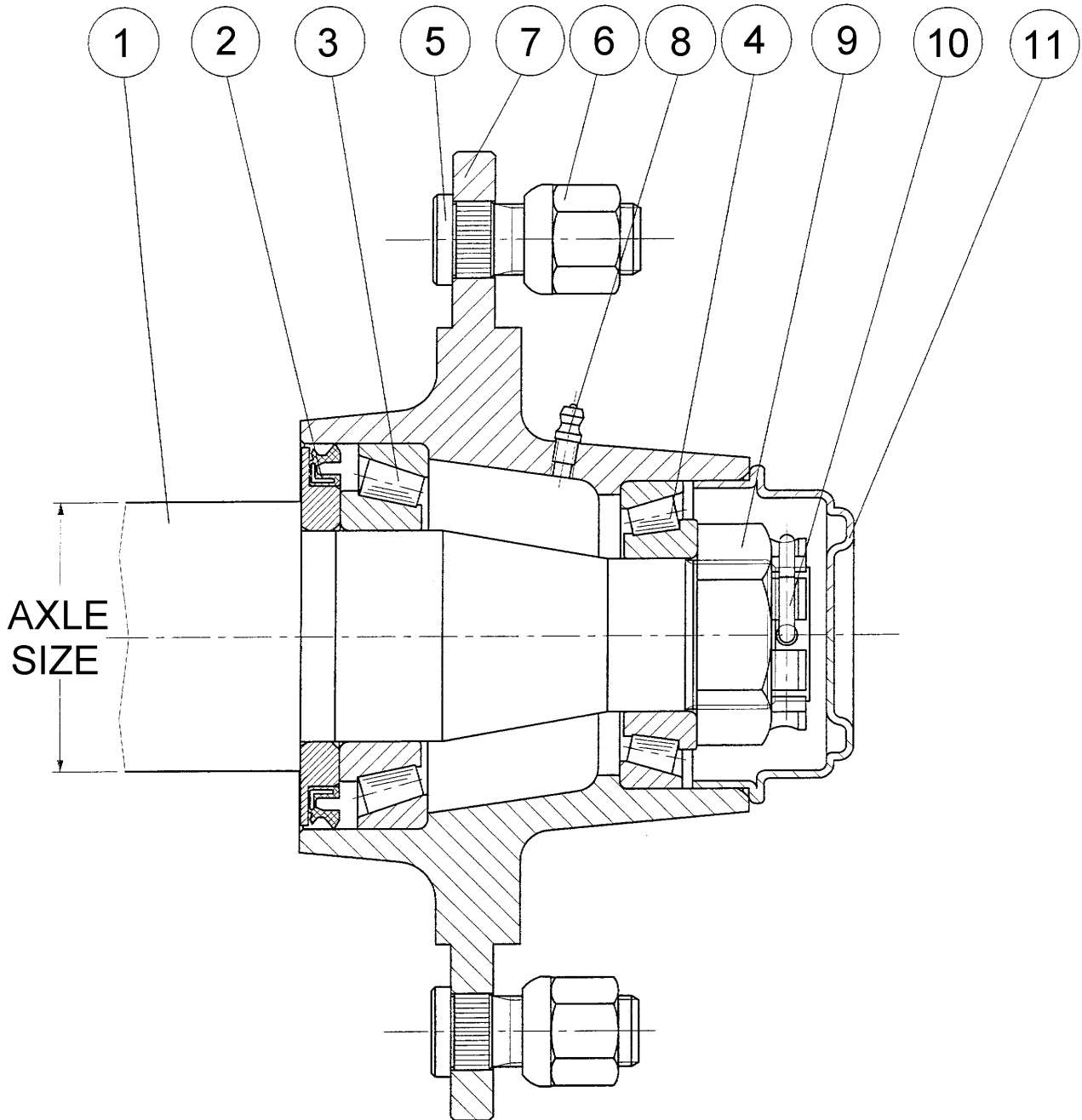
RF Forage Wagon Operating Manual

300x80C Stub

balloon	quantity	Code	Name
A	1	4798534000-L	BODY STUB AXLE 808XF 400x80C
B	1	3261003000	CIRCLIPS-D30
C	1	4182002060	BRAKE LEVER
D	1	3551018100	CAM SUPPORT-400x80C
E	1	4236004000	CAM-400x80-1g360
F	4	3203001000	SCREW TH M8x1.25 L=20
G	2	3780000110	BRAKE COVER-400x80C
H	2	349201030A	SPRING
I	2	340601300A	BRAKE SHOE 400x80C
J	2	3371001000	GREASE NIPPLE M6
K	1	3161003000	BUSH 35X50P2
L	1	5780000060	SPIDER-400X80C
M	1	3393000000	O RING SEAL 35x2
N	1	4513027500	WASHER-75X130X10
O	1	30215	BEARING 30215
P	8	3351010000	STUD M18x1.5
Q	1	4560013800	DRUM 400x80
R	1	4411080800	HUB 808-908-XF1
S	8	3314008000	WHEEL NUT M18x1.5
T	1	32211	BEARING 32211
U	1	3513016000	WASHER 45x80x5
V	1	3302008000	NUT-HK-M45x2
W	1	3362009000	PIN 6x70
X	1	3241009000	CUP M101x150



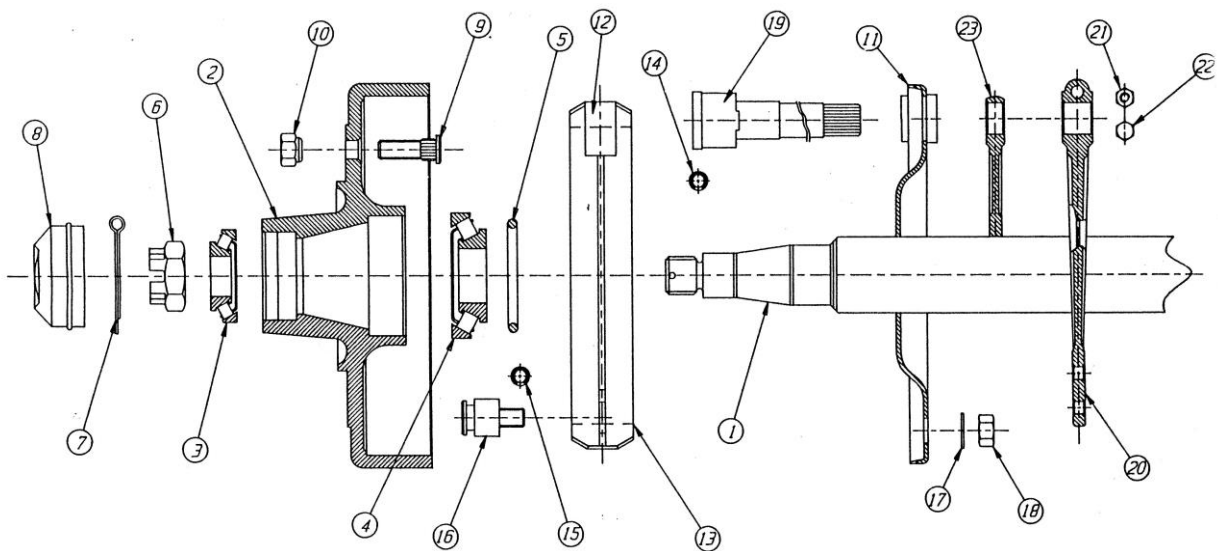
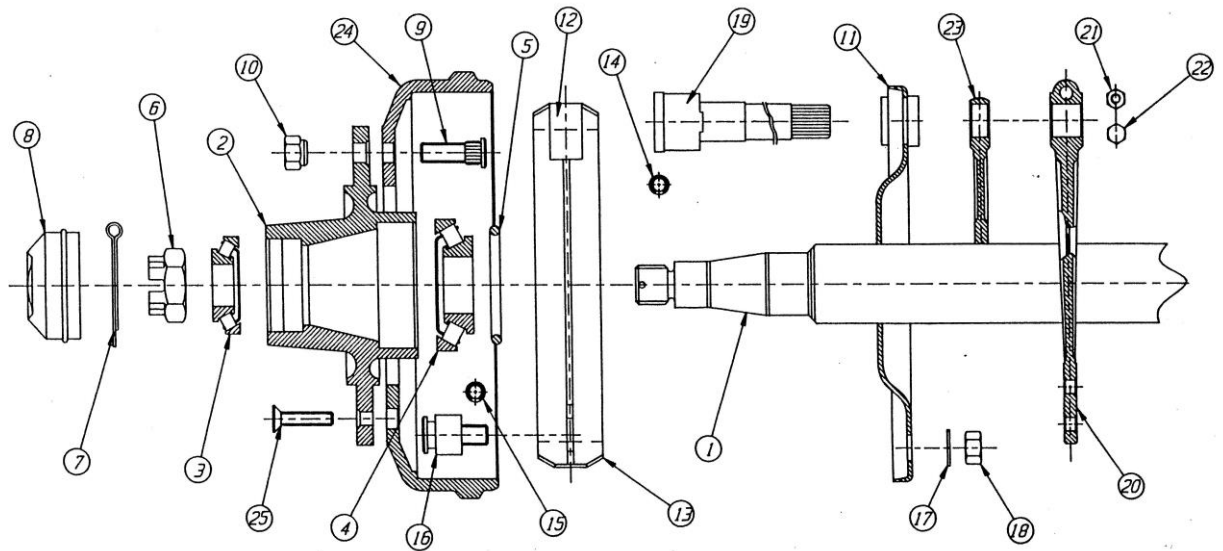
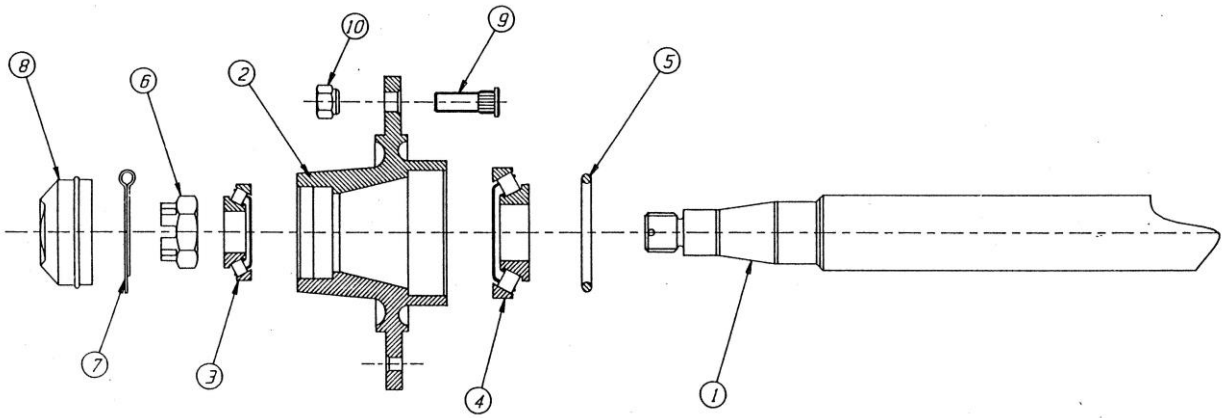
Hub Assembly – ADR



Hub Assembly – ADR

Item	Giltrap Part #	Description	Quantity			
			60mm	70mm	80mm	90mm
1	HUB2000KG	Complete Stub Axle, ADR 6 stud 60sq	1			
1	HUB3000KG	Complete Stub Axle, ADR 6 stud 70sq		1		
1	HUB4250KG	Complete Stub Axle, ADR 8 stud 80sq			1	
1	HUB5000KG	Complete Stub Axle, ADR 8 stud 90sq				1
2	110-0193	Seal 57x100x10 O/A (80x100x8 nom.)	1			
2	110-0194	Seal 67x120x12 O/A (100x120x10 nom.)		1		
2	110-0195	Seal 78x130x10 O/A (108x130x8 nom.)			1	
2	110-0196	Seal 82x140x10 O/A (119x140x8 nom.)				1
3	BRG30208J2	Taper Roller Bearing, 30208 J2	1			
3	BRG32210J2	Taper Roller Bearing, 32210 J2		1		
3	BRG32212J2	Taper Roller Bearing, 32212 J2			1	
3	BRG32213J2	Taper Roller Bearing, 32213 J2				1
4	BRG30211J2	Taper Roller Bearing, 30211 J2	1			
4	BRG30213J2	Taper Roller Bearing, 30213 J2		1		
4	BRG32215J2	Taper Roller Bearing, 32215 J2			1	
4	BRG32216J2	Taper Roller Bearing, 32216 J2				1
5	110-0945	Wheel Stud, M18x50	6	6	8	
5	110-0950	Wheel Stud, M20x60x1.5				8
6	110-0917	Wheel Nut, M18	6	6	8	
6	110-0919	Wheel Nut, M20x1.5				8
7	-	Hub Only	1	1	1	1
8	GRN8-45	Grease Nipple, M8x1.0 45 deg	1	1	1	1
9	110-1047	Slotted Nut, M39x1.5	1	1		
9	110-1060	Slotted Washer Nut, M48x1.5			1	1
10	-	Retaining Clip (or Split Pin SP5x70)	1			
10	-	Retaining Clip (or Split Pin SP5x70)		1		
10	-	Retaining Clip (or Split Pin SP5x80)			1	
10	-	Retaining Clip (or Split Pin SP5x90)				1
11	110-0799	Grease Cap ADR Pressed Steel - 80mm	1			
11	110-0881	Grease Cap ADR Pressed Steel - 90mm		1		
11	110-0883	Grease Cap ADR Pressed Steel - 110mm			1	
11	110-0884	Grease Cap ADR Pressed Steel - 120mm				1

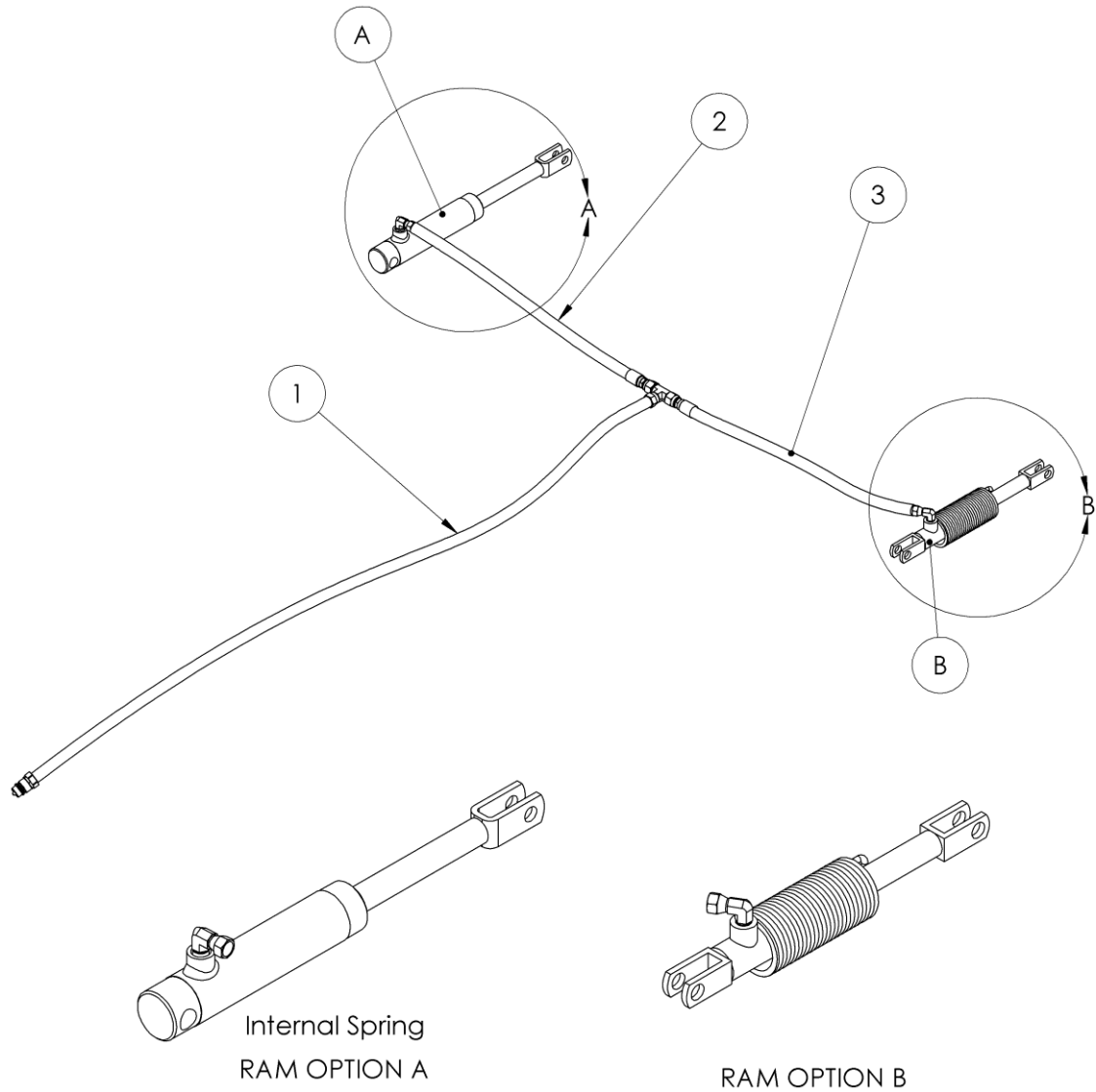
Hub Assembly – Tizeta



Hub Assembly – Tizeta

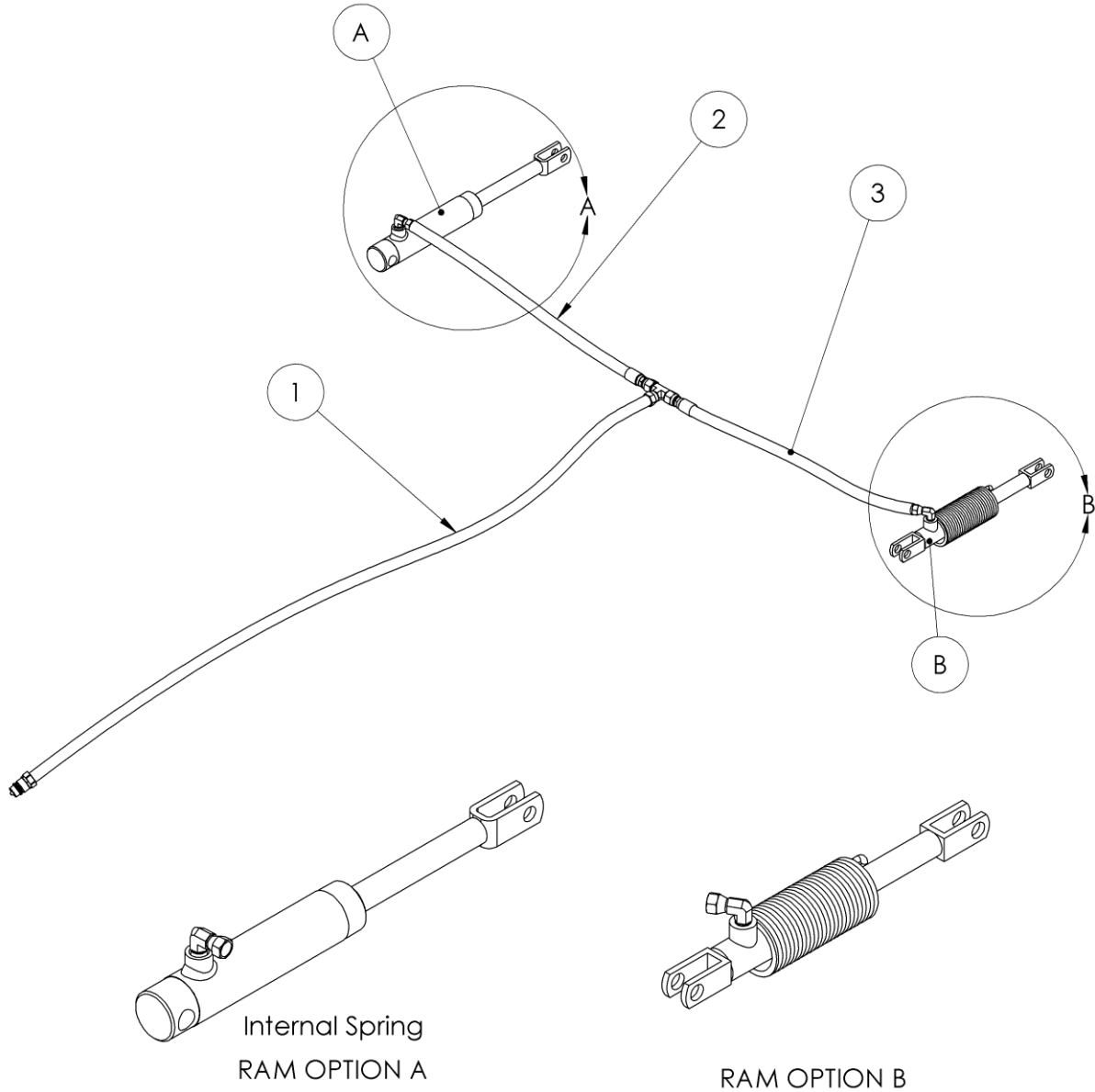
Item	Part Number	Description	Quantity			
			60mm	70mm	80mm	90mm
1	-	Stub Axle, Tizeta 6 stud 60sq	1			
1	-	Stub Axle, Tizeta 6 stud 70sq		1		
1	-	Stub Axle, Tizeta 8 stud 80sq			1	
1	-	Stub Axle, Tizeta 8 stud 90sq				1
2	-	Hub Only	1	1	1	1
3	BRG30208J2	Taper Roller Bearing, 30208	1			
3	BRG32210J2	Taper Roller Bearing, 32210		1		
3	BRG32212J2	Taper Roller Bearing, 32212			1	
3	BRG32213J2	Taper Roller Bearing, 32213				1
4	BRG30211J2	Taper Roller Bearing, 30211	1			
4	BRG32213J2	Taper Roller Bearing, 32213		1		
4	BRG32215J2	Taper Roller Bearing, 32215			1	
4	BRG32217J2	Taper Roller Bearing, 32217				1
5	-	Seal, 80x100x13	1			
5	-	Seal, 90x120x12		1		
5	-	Seal, 100x130x14			1	
5	-	Seal, 120x150x12				1
6	-	Slotted Nut, M30x2	1			
6	-	Slotted Nut		1		
6	-	Slotted Nut			1	
6	-	Slotted Nut				1
7	-	Split Pin	1			
7	-	Split Pin		1		
7	-	Split Pin			1	
7	-	Split Pin				1
8	-	Grease Nipple	1	1	1	1
8	110-0888	Grease Cap, Pressed Steel, 80mm	1			
8	110-0889	Grease Cap, Pressed Steel, 90mm		1		
8	110-0877	Grease Cap, Pressed Steel, 110mm			1	
8	-	Grease Cap, Pressed Steel, 120mm				1
9	110-0945	Wheel Stud, M18x50	6	6	8	8
10	110-0917	Wheel Nut, M18	6	6	8	8
11	-	Backing plate	1	1	1	1
12	-	Brake shoe	2	2	2	2
13	-	Brake shoe lining	2	2	2	2
14	-	Spring	1	1	1	1
15	-	Spring	1	1	1	1
16	-	Shoe pivot pin	1	1	1	1
17	-	Washer	1	1	1	1
18	-	Nut	1	1	1	1
19	-	Torque shaft	1	1	1	1
20	-	Torque arm	1	1	1	1
21	-	Torque arm clamp nut	1	1	1	1
22	-	Torque arm clamp bolt	1	1	1	1
23	-	Torque arm support mount	1	1	1	1
24	-	Brake drum	1	1	1	1
25	-	Drum retaining screw	1	1	1	1

Brake Hose and Cylinder Configurations RF16



RF 16			
Item No	Part Number	Description	Quantity
A	RAMAX94125S-PT	Type A Brake Ram	2
B	RAMADRD030/025-PT	Type B Brake Ram	2
1	12338	RF25-Main Brake hose QRC	1
1	12337	RF25-Main Brake hose BC	1
3	12339	RF25- Left Brake hose	1
2	12339	RF25-Right brake hose	1
-	HYFQRC1/2M	1/2 CCS QRC-MALE END	1
-	HYFQVF-F06X	BRAKE COPPLING	1

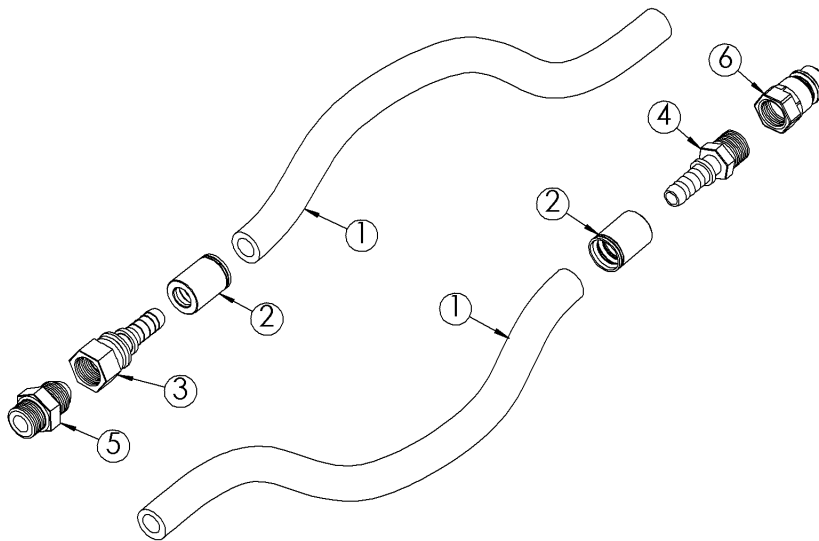
Brake Hose and Cylinder Configurations RF21



RF 21			
Item No	Part Number	Description	Quantity
A	RAMAX94125S-PT	Type A Brake Ram	2
B	RAMADRD030/025-PT	Type B Brake Ram	2
1	12341	RF25-Main Brake hose QRC	1
1	12340	RF25-Main Brake hose BC	1
3	12342	RF25- Left Brake hose	1
2	12342	RF25-Right brake hose	1
-	HYFQRC1/2M	1/2 CCS QRC-MALE END	1
-	HYFQVF-F06X	BRAKE COPPLING	1

Hydraulic Hoses (excluding Sidelift models)

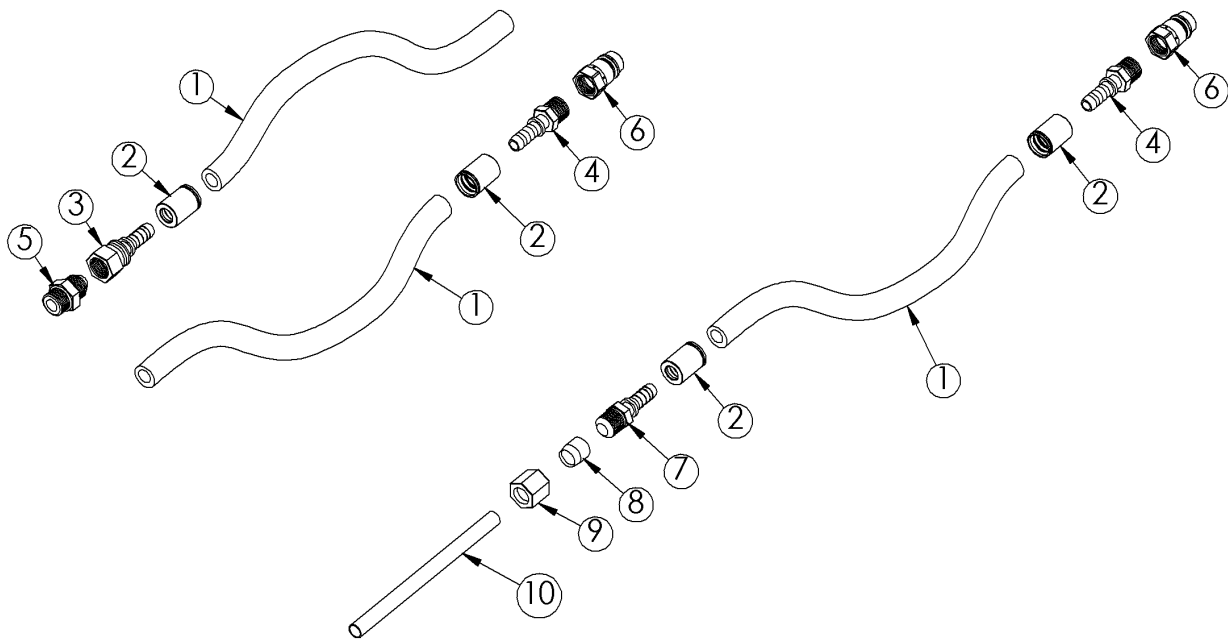
Cavity Designation	Valve	Relevant Hose Description	Hose Part #
Pres	HCV1899B	Valve To Tractor	450-1020-99
Tank	HCV1899B	Valve To Tractor	450-1020-99
Cross Belt Pres	HCV1899B	Valve To Conveyor Motor	450-1024-99
Cross Belt Ret	HCV1899B	Valve To Conveyor Motor	450-1024-99
Flr Pres	HCV1899B	Valve To Floor Motor	450-1022-99
Flr Ret	HCV1899B	Valve To Floor Motor	450-1022-99
Elev Pres	HCV1899B	Valve To Elevator Motor	450-1026-99
Elev Ret	HCV1899B	Valve To Elevator Motor	450-1026-99
Flr Pres	HCV1918	Valve To Floor Motor	-
Flr Ret	HCV1918	Valve To Floor Motor	-
Elev Pres	HCV1918	Valve To Elevator Motor	-
Elev Ret	HCV1918	Valve To Elevator Motor	-



Item	Part Number	Description	Quantity Used
1	HYH1/2	Hose 1/2" 2 Wire Non-Skive	-
2	HYFSN2-08	1/2" 2 Wire Ferrule Pressed	12
3	HYFS05-1408	7/8" JICF - 1/2M Swage Tail	10
4	HYFS15-0808	1/2" BSPM - 1/2M Swage Tail	2
5	HYFA-GN-1414	Hose Adaptor 7/8" JICF	10
6	HYFQRC1/2M	1/2" CCS Q.R.C Male End	2

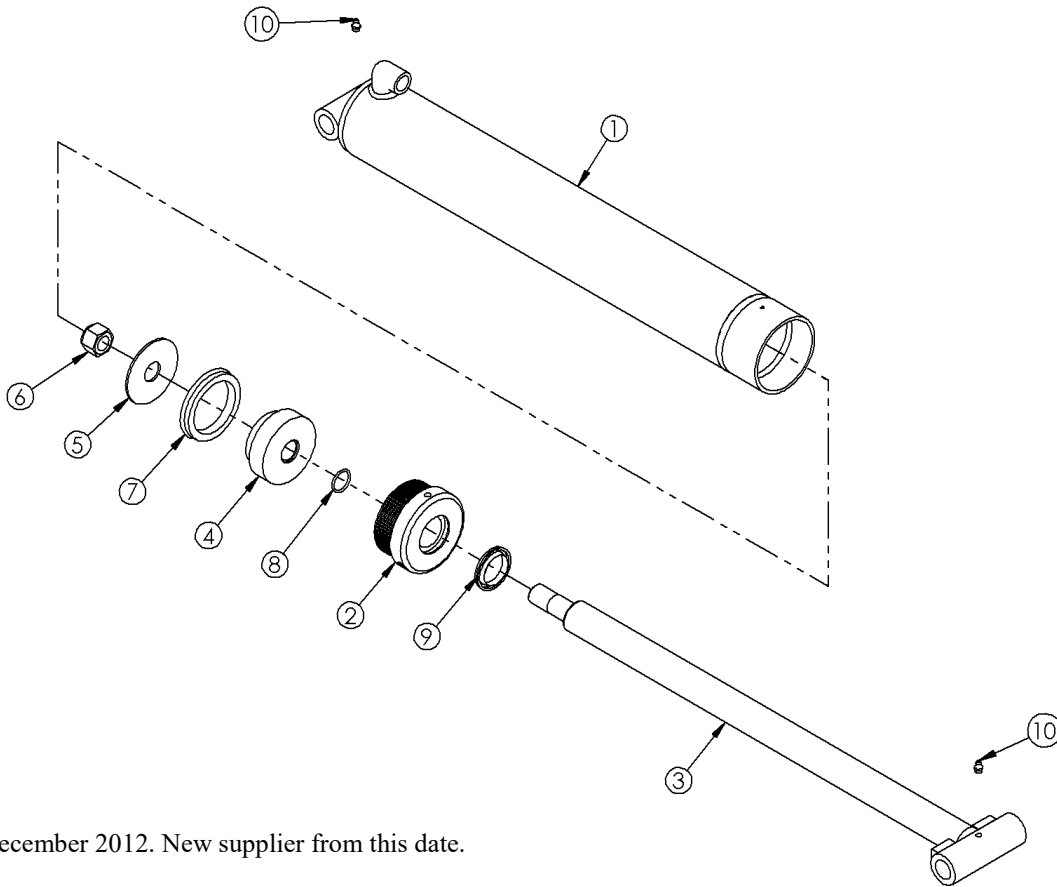
Hydraulic Hoses – Sidelift Models

Cavity Designation	Relevant Hose Description	Hose Part #
Pres	Valve To Tractor	450-0210
Tank	Valve To Tractor	450-0210
Cross Belt Pres	Valve To Conveyor Motor	450-0231
Cross Belt Ret Para	Valve To Conveyor Motor	450-0231
Flr Pres	Valve To Floor Motor	450-0217
Flr Ret	Valve To Floor Motor	450-0217
Elev Pres	Valve To Elevator Motor	450-0224
Elev Ret	Valve To Elevator Motor	450-0224
-	Tractor To Ram Pipe	450-0245
-	Ram Pipe To Front Ram	450-0238
-	Ram Pipe To Rear Ram	450-0238



Item	Part Number	Description	Quantity Used
1	HYH1/2	Hose 1/2" 2 Wire Non-Skive	
2	HYFSN2-08	1/2" 2 Wire Ferrule Pressed	16
3	HYFS05-1408	7/8JICF - 1/2M Swage Tail	14
4	HYFS15-0808	1/2BSPM - 1/2M Swage Tail	2
5	HYFA-GN-1414	Hose Adaptor 7/8JICF	14
6	HYFQRC1/2M	1/2" CCS Q.R.C Male End	2
7	HYFS78-M2408	M24 - 1/2M Swage Tail	3
8	HYFFTCS-16	Cutting Ring - 16mm	4
9	HYFFTNS-16	Tube Nut - 16mm	4
10	HYT16	Hydraulic Tube - 16mm	2

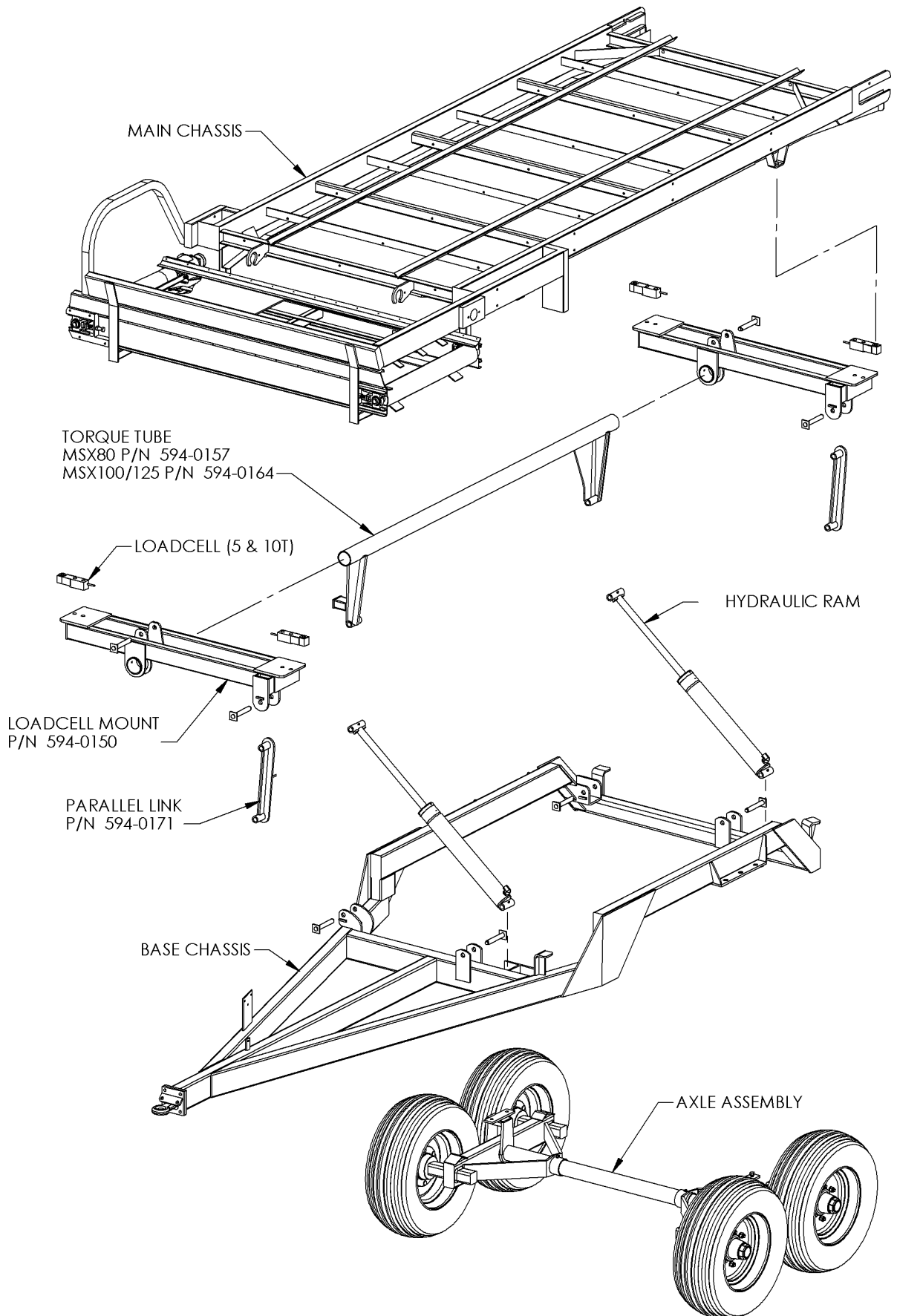
Sidelift Hydraulic Ram



Ended December 2012. New supplier from this date.

Item	Giltrap Part #	Description	Quantity Used	
			2-3/4" Cylinder	3-1/2" Cylinder
-	2TRAMSL	Complete Ram	1	
-	3TRAMSL	Complete Ram		1
1	600-0913	Cylinder, Lower 2-3/4"	1	
1	600-0920	Cylinder, Lower 3-1/2"		1
2	600-0760	Retaining Head	1	
2	600-0773	Retaining Head		1
3	600-1024	Spear Assembly	1	1
4	600-1012	Piston, 2-3/4"	1	
4	600-1019	Piston, 3-1/2"		1
6	NNF1x14TPI	Nut, Nyloc 1x14 TPI	1	1
7	SLUSAL27	Seal, 2-3/4x2x9/16 U Ring	1	
7	SLUSAL32	Seal, 3-1/2x2-3/4x1/2 U Ring		1
8	OR120	O-Ring 120, 1x3/32	1	1
8	WA25x65x3	Washer, Flat 26x65x3 Black	1	
8	WA25x85x3	Washer, Flat 26x85x3 Black		1
9	SLW67-40	Seal, Wyclip 67-40	1	1
10	GRN8-ST	Grease Nipple, M8x1.0 Straight	2	2
-	SLK2T-1	Seal Kit (includes #7, 8 & 9)	1	
-	SLK3T-1	Seal Kit (includes #7, 8 & 9)		1

Sidelift Assembly



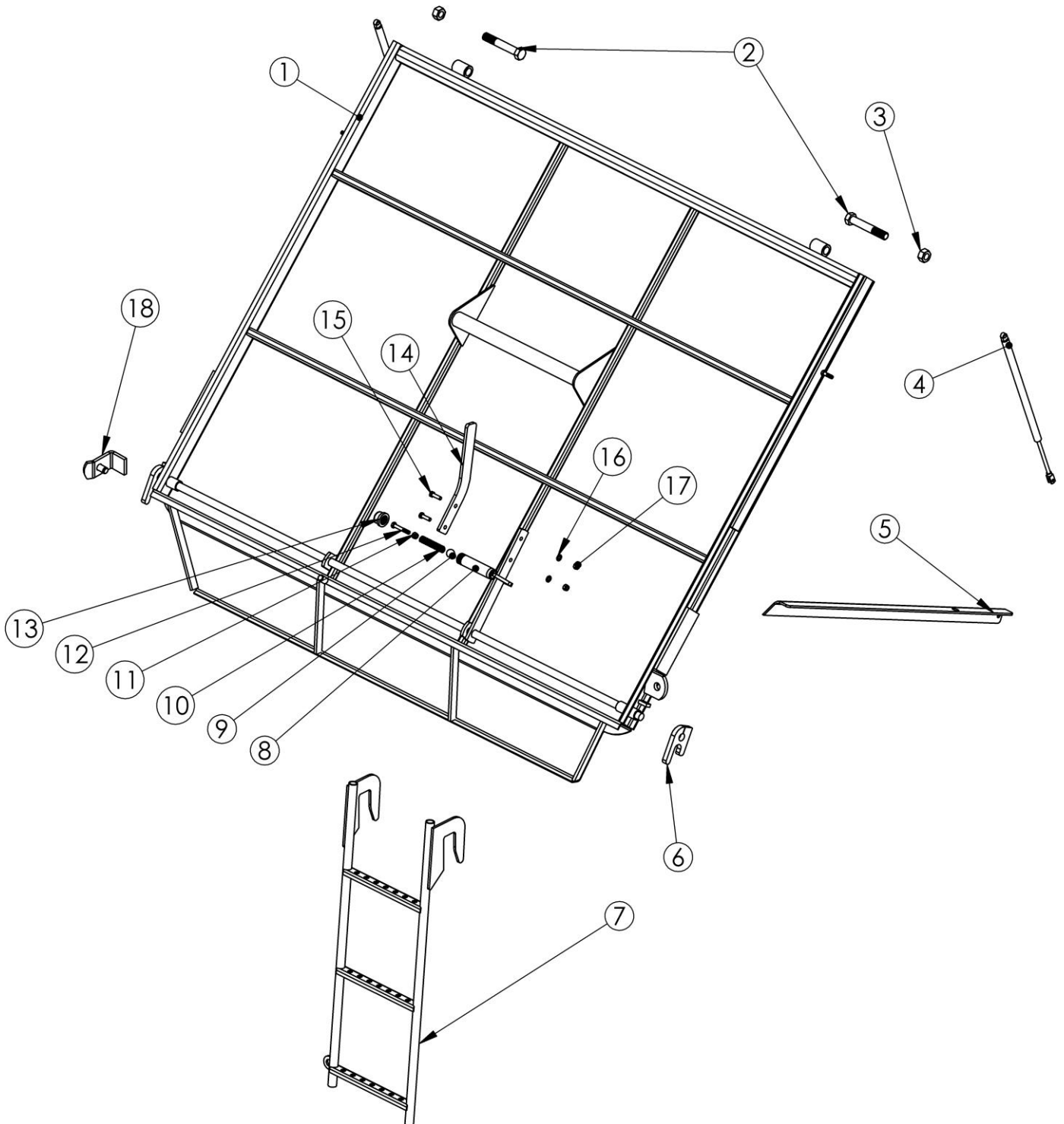
RF25



Index

REAR GATE ASSEMBLY	89
<i>Rear Gate Parts list</i>	90
ELEVATOR ASSEMBLY	91
<i>4ch Elevator parts list</i>	92
PANELS, GUARDS & COVERS.....	93
<i>Panels, Guards & Covers Parts List</i>	93
FLOOR TRANSMISSION.....	95
<i>Floor Transmission RF25 Parts list</i>	96
REAR FLOOR DRIVE ASSEMBLY	97
<i>Rear Floor Drive Assembly Parts List</i>	97
RF25 BRAKE HOSE AND RAMS.....	99
TANDEM AXLE ASSEMBLY RF25	100
ADR 21.5T SPRUNG BOGIE	101
<i>ADR 130mm Axle Brake Configuration</i>	102
<i>ADR 1360 8 Leaf Bogie</i>	103
<i>ADR 1500 9 Leaf Bogie</i>	104
<i>ADR Steering Axle Assembly</i>	105
<i>Steering Axle parts list</i>	106
Notes:.....	108

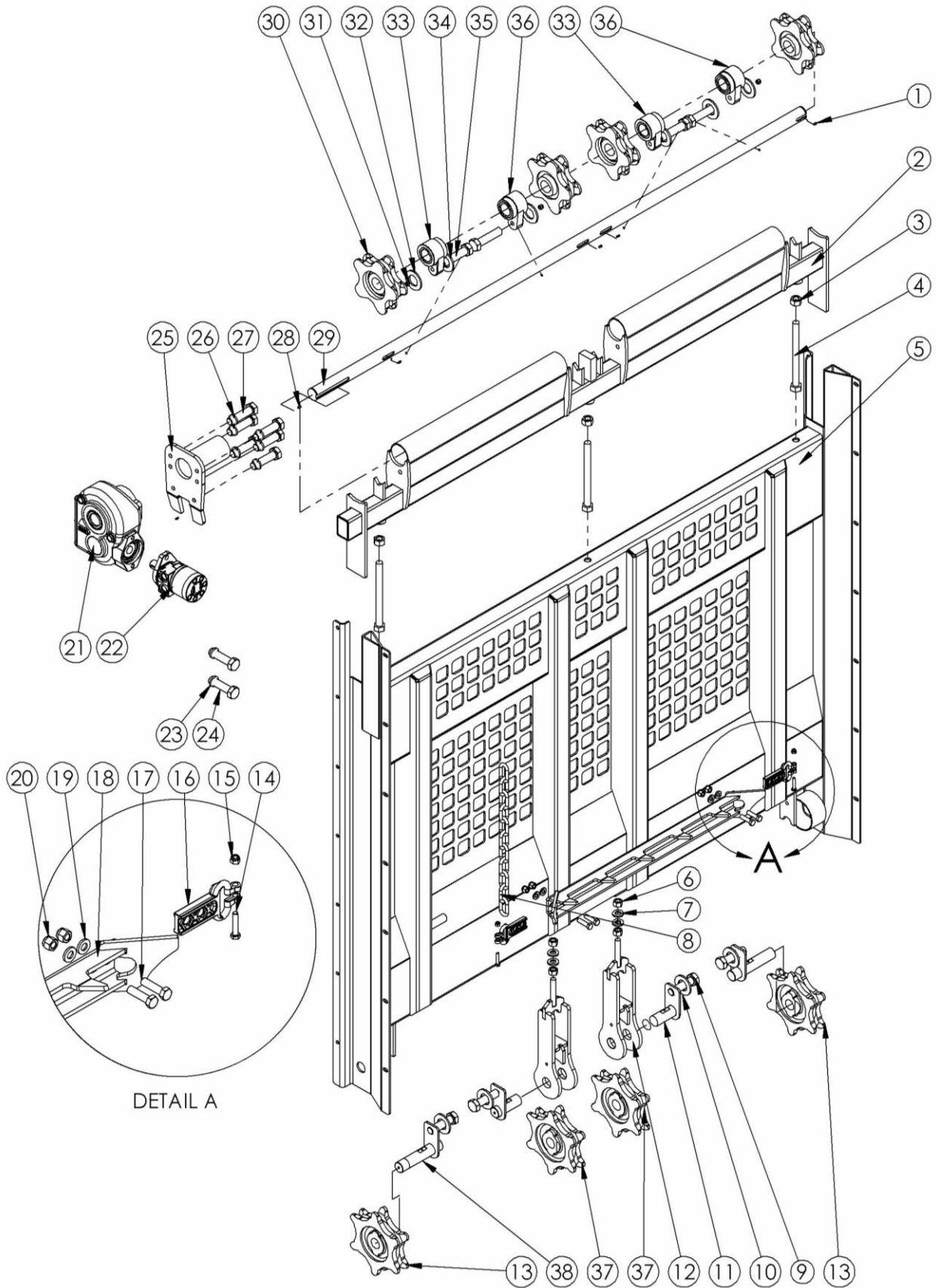
Rear Gate Assembly



Rear Gate Parts list

Item	Part Number	Description	Quantity Used
1	670-1138	Back Gate Assembly Rf25	1
2	NN20	NYLOC NUT 20mm	2
3	670-1173	Back Gate Hinge Bolt	2
4	RAM1856	Gas Strut BK 900MM Adjustable(Incl Ball Joint, Clevis)	2
5	10904	Rf25 Rear Gate Stay	1
6	590-0212-2	Back Gate Latch - RF	2
6.1	670-1154	RF Gate Latch Bush	2
6.2	670-1164-1	RF Gate Latch Mount	1
7	10903	RF25 Rear Ladder	1
8	670-1152	Gate Detent Tube	1
9	BRGUC1"	Ball Bearing, 1"	1
10	SGC100x24	Spring, Compression 100x220Dx5	1
11	NN10	Nut, Nyloc M10	1
12	B10x65	Bolt,M12x65	1
13	PFCAP25G	Cap, Galvanized	1
14	670-1165	Back Gate Bolt On Handle	1
15	B10x35	Bolt, M10x35	2
16	WASG10	Washer, Spring M10	2
17	N10	Nut, M10	2
18	670-1164-1	RF Gate Latch Mount	2

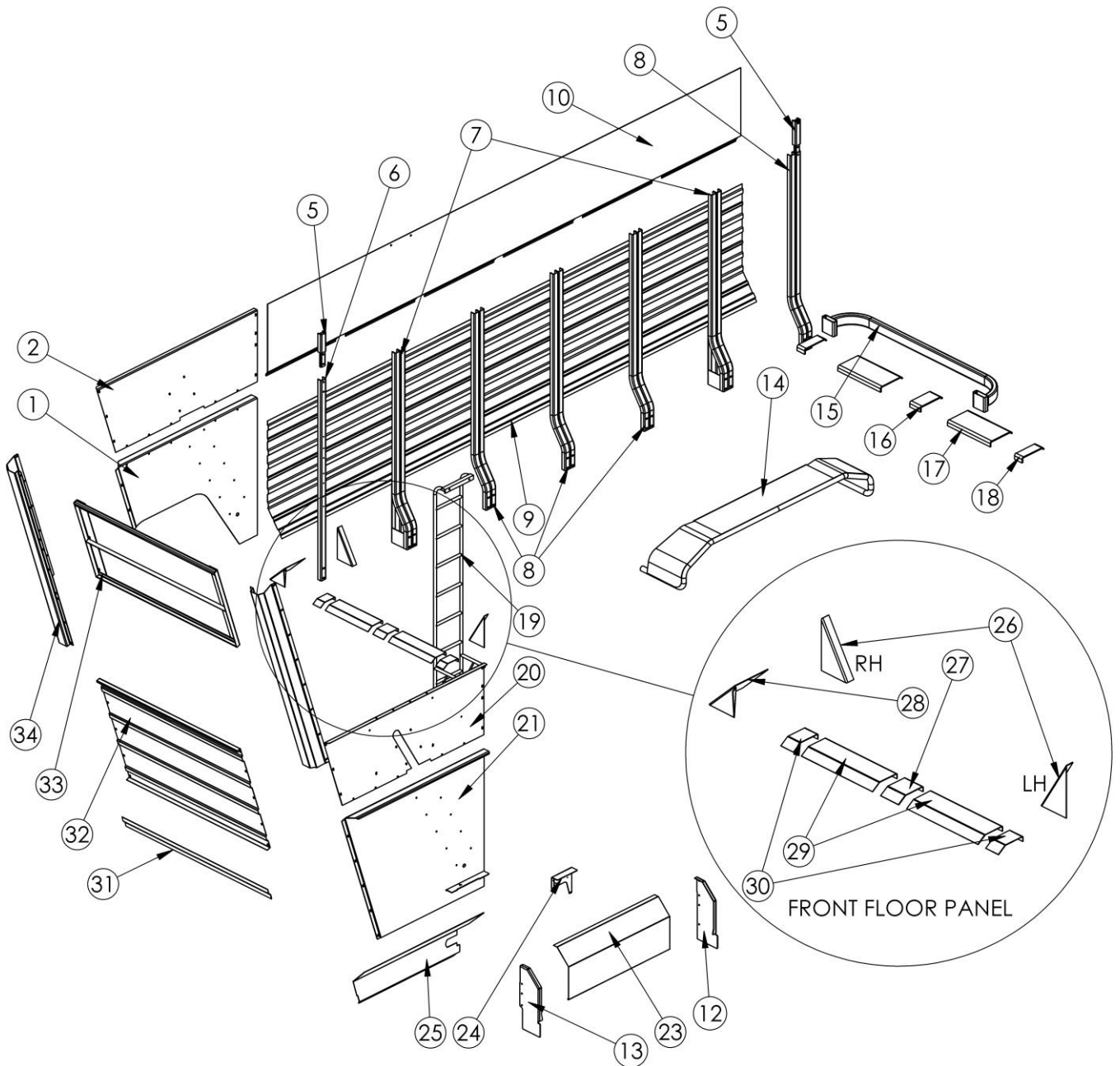
Four Chain Elevator Assembly RF25



4 Chain Elevator parts list RF25

Item	Part Number	Description	Quantity
1	SK10X8	Key Steel	0.03
2	11264	Elev Drive 4 Ch Frame - Rf25	1
-	596-1004	Adj Tensioner M16x200 C/W Nuts (3&4)	3
3	N16	NUT 16mm	3
4	RODTH16X200S/S	Rod Thread 16mmx200mm S/ST	3
5	11261	Rf25 4 Chain Elev Main Frame	1
6	N16	NUT 16mm	2
7	596-1002	Adj Tensioner M16x200 C/W Nuts	2
-	WA16	Washer, Flat M16	2
8	CH10HTLL	Chain 10mm HT Long Link Black	15.6
9	B10x35	Bolt & Nut 10 X 35	4
10	WASG10	Washer, Spring M10	4
11	13534	Elevator lower inner pin	2
12	11128	RF25 4xchain Elev Lower Tensioner Housing	2
13	210-0012	SPKT 6T 35mm IDLER STD	2
14	B8X35	Bolt, M8x35	52
15	NN8	Bolt, M8x35	52
16	595-3010	Forged RF Elev Bar Bolt Assy	52
-	595-3005	Spacer-RF Cast Elev Chain Joiner	52
17	B12X40	Bolt,M12x40	102
18	501-0077	Elev Bar RF - LH 2 Hole 4ch	13
-	501-0078	Elev Bar RF - RH 2 Hole 4ch	13
19	WA12	Washer, Flat M12	102
20	NN12	Nut, Nyloc M12	102
21	GBRT160	Berma Rt160 G/Box 8980	1
22	HYM130	Hydraulic Motor Parker, 130cc	1
23	WASG12	Spring Washer 12mmx3mm ZP	2
24	B12X35	Bolt & Nut 12 X 35	2
25	11053	Rt160 Gearbox Mount Including Pipe	1
26	B12x35	Bolt & Nut 12 X 35	6
27	WASG12	Washer, Spring M12	6
28	SK10X8	Key Steel	0.04
29	11263	Top Elevator Drive Shaft 4 Chain	1
30	210-0004	SPKT 5T 40mm Drive 10mm KEY	4
31	N16	Nut, M16	4
32	WASG16	Washer, Spring M16	4
33	11386	Deadeye 1 Leg 40mm - LH	2
34	WA12	Washer, Flat M16	4
35	B16x40	Bolt, M16x40	4
36	11385	Deadeye 1 Leg 40mm - RH	2
37	12785	SPKT 6T 35mm IDLER STD 4 chain centre	2
38	13533	Elevator lower outer pin	2

Panels, Guards & Covers



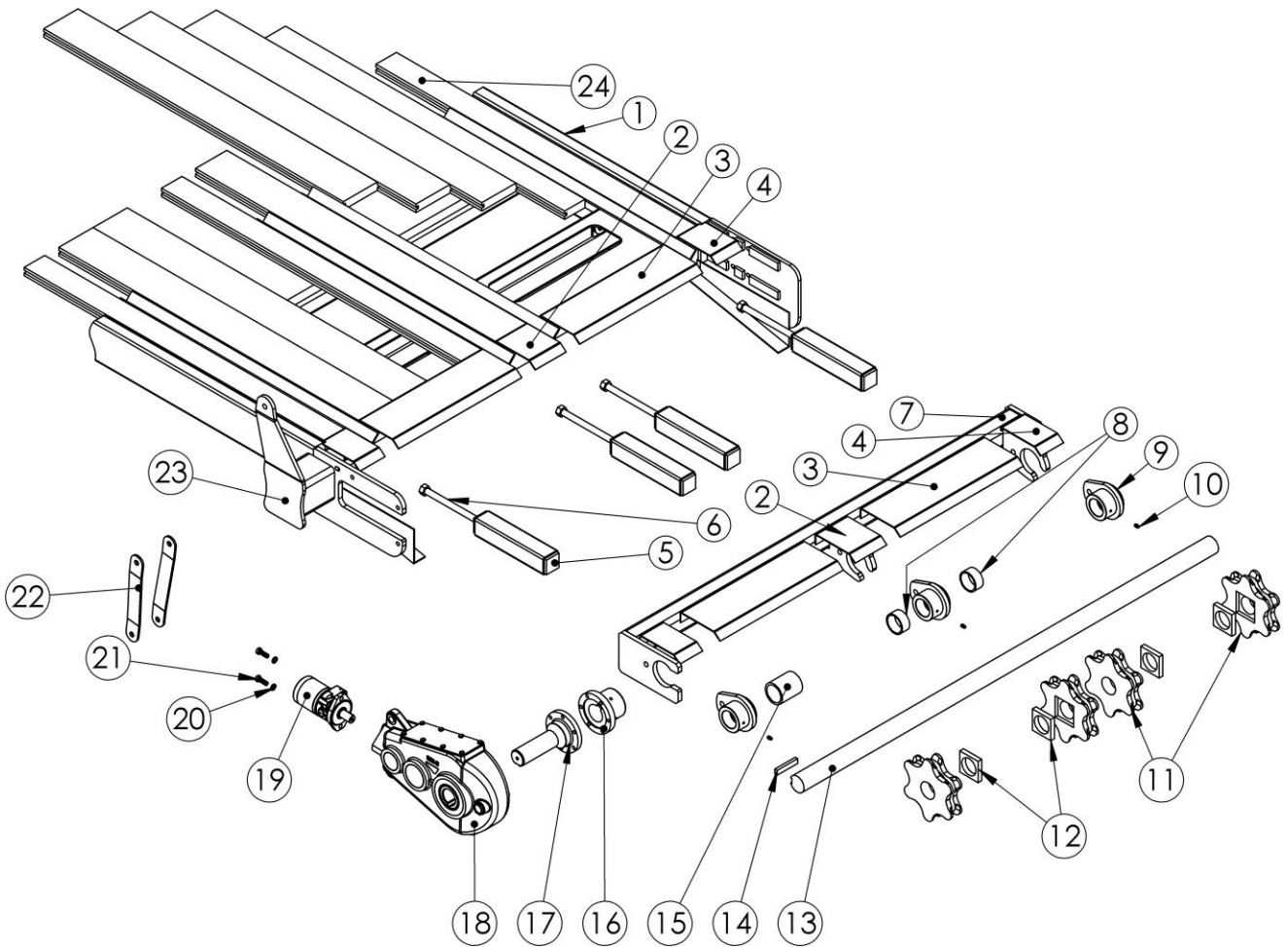
Panels, Guards & Covers Parts List

Item	Part Number	Description	Quantity Used
1	10263-2	RF25 Front RH lower Side Panel	1
2	10263-7	RF25 RH Top Panel	1
5	655-0270	RF25 Front Post Extension	2
6	655-0268	Channel-Front Post RF25	2
7	655-0775	RF25 Side Channel Braced	4
8	12310	RF25 Side channel Complete	8
9	SCOIL1.2/SSS	Side Panel @ 6.1m	2
10	670-2086	RF25 Top Side Body Panel	2
12	580-4311	RF-Drive Cover Panel RH 2010	1
13	580-4310	RF-Drive Cover Panel LH 2010	1
14	12308	RF 25 Mud Guard complete	2
15	580-4520-1	RF25 NZ Wagon Rear Bumper	1
16	575-0079-1	Rear Flr Center Shft Guard-RF-4chn	1
17	575-0078-1	Rear Flr Shft Guard-RF-4 Chn	2
18	575-0069-1	Rear Flr Outer Shft Grd - 4ch	2
19	LADDERW-RF25	Steel Ladder- RF25 Weld On	1
20	10263-6	RF25 Lh Top Panel	1
21	10263-1	RF25 Front LH Lower Side Panel	1
22	11284	RF25 Elevator Gbox/Motor Cover	1
23	580-4060	RF-Stainless Mechanism Cover	1
24	LS650-0385	Gen2 Controller Mount Plate	1
25	670-1546	Conv Deflecting Panel - RF 1200	1
26	670-6333	Side Gusset Insert LH	1
-	670-6326	Side Gusset Insert RH	1
27	575-0079	FR Flr Center Shft Guard-RF-4chn	1
28	670-1538	Corner Sloped Insert - RH	1
-	670-1531	Corner Sloped Insert - LH	1
29	575-0078	FR Flr Shft Guard-Rf-4 Chn	2
30	575-0069	FR Flr Outer Shft Grd - 4ch	2
31	670-1550	Bed Deflector Panel	1
32	670-2073	Front Panels Rf25	1
33	670-2039	Front Mesh Screen - RF	1
34	10263-4	Rf25 Front Corner Panel LH	1
-	10263-3	Rf25 Front Corner Panel RH	1

Floor Transmission RF25 Parts list

Item	Part Number	Description	Quantity
1	-	Chassis	-
2	210-1188	Sprocket, 13 Tooth 16B 1-3/8" Bore	1
3	615-1132	Deadeye Housing, 2 Leg c/w bush	1
4	615-1200	Bush, Bronze 60ID x 75mm (incl. with #3 &	4
5	GRN8-ST	Grease Nipple, M8x1.0	6
6	WASG16	Washer, Spring M16	2
7	B12X45	Bolt, M12x45	2
8	HYM625	Hydraulic Motor	-
8	HYM785	Hydraulic Motor	1
9	615-2058	Deadeye Housing, 1 Leg c/w bush	3
10	-	Motor Key	1
11	595-1076	Tensioner Arm, Short	1
12	595-1062	Tensioner Bush, Nylon	4
13	GSC12x30A	Grubscrew, Allen Head M12x30	2
14	N12G	Nut, Galvanised M12	88
15	WASG12	Washer, Spring M12	88
16	595-1070	Tensioner Arm, Long	1
18	210-1088-1	Reduction Sprocket, 50/13 Tooth 40mm	1
19	B16x40	Bolt, M16x40	2
22	SK20x13	Key, Parallel 20 x 13 x 100mm	1
23	510-1309	Floor Shaft - 60mm HT	1
24	625-0038	Spacer Bush 60x35	2
25	210-1211	Sprocket, 43 Tooth 20B 60mm Bore	1
26	210-0032	Sprocket 6 Teeth, 60mm Bore c/w plate	4
27	211-0123	Square Drive Plate, Weld On (incl. with	4
29	230-1007	Chain Joiner	4
31	CH10HTLL	Chain – 12.05m lengths	4
32	605-3001-1	Stepped bush	88
33	BCH12X60	Bolt, Coach M12x60	88
34	615-2002	Deadeye, 1 Leg 40mm	2
35	GDM-GLC6-8	Grease Lube Connector 6mm-8mm	6
36	GDM-GLT6.15	Grease Lube Tube Helios 6mm 1 @ 900mm, 1 @ 770mm, 1 @ 1370mm, 1 @ 1320mm, 1 @ 2020mm & 1 @ 2870mm	
37	GDM-GLOLIVE	Olive (included with #35 & 43)	-
38	TIMBER150X40TG	Timber T & G - 6190mm	11
39	TIMBER75X50RS	Timber 75 x 50 RS - 1630mm	12
40	BCH10X70	Bolt, Coach M10x70	-
41	N10G	Nut, Galvanised M10	-
42	580-4060	Transmission Cover	1
-	580-4320	Rubber Latch	2
43	GDM-GLE6-8	Grease Tube Connector 90 deg	6
45	GSC3/8X1A	Grub screw, Allen Head 3/8" UNC	2
46	N12	Nut M12	4
47	NN12	Nut, Nyloc M12	2
48	605-2030	Floor Slat	44
50	CH16B	Chain, 16B	1.5m
51	CH16BJ	Chain Joiner, 16B	1
52	CH16BC	Chain Crank, 16B	1
53	CH20B	Chain, 20B	2.0m
54	CH20BJ	Chain Joiner, 20B	1
55	CH20BC	Chain Crank, 20B	as reqd.
57	575-0069	Shaft guard – Outer 4ch	2
58	575-0078	Shaft guard – Inner 4ch	2
59	575-0079	Shaft guard – Centre 4ch	1

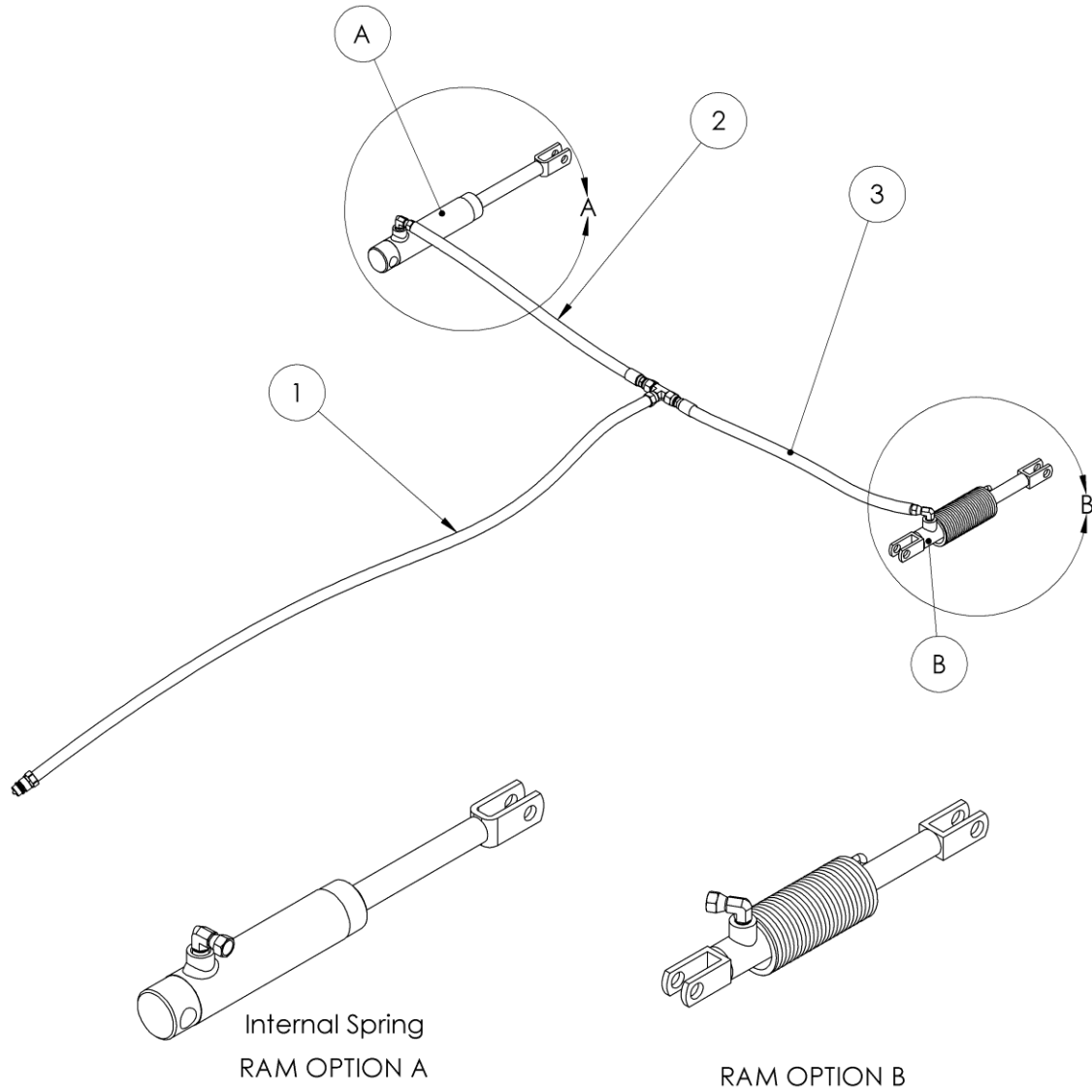
Rear Floor Drive Assembly



Rear Floor Drive Assembly Parts List

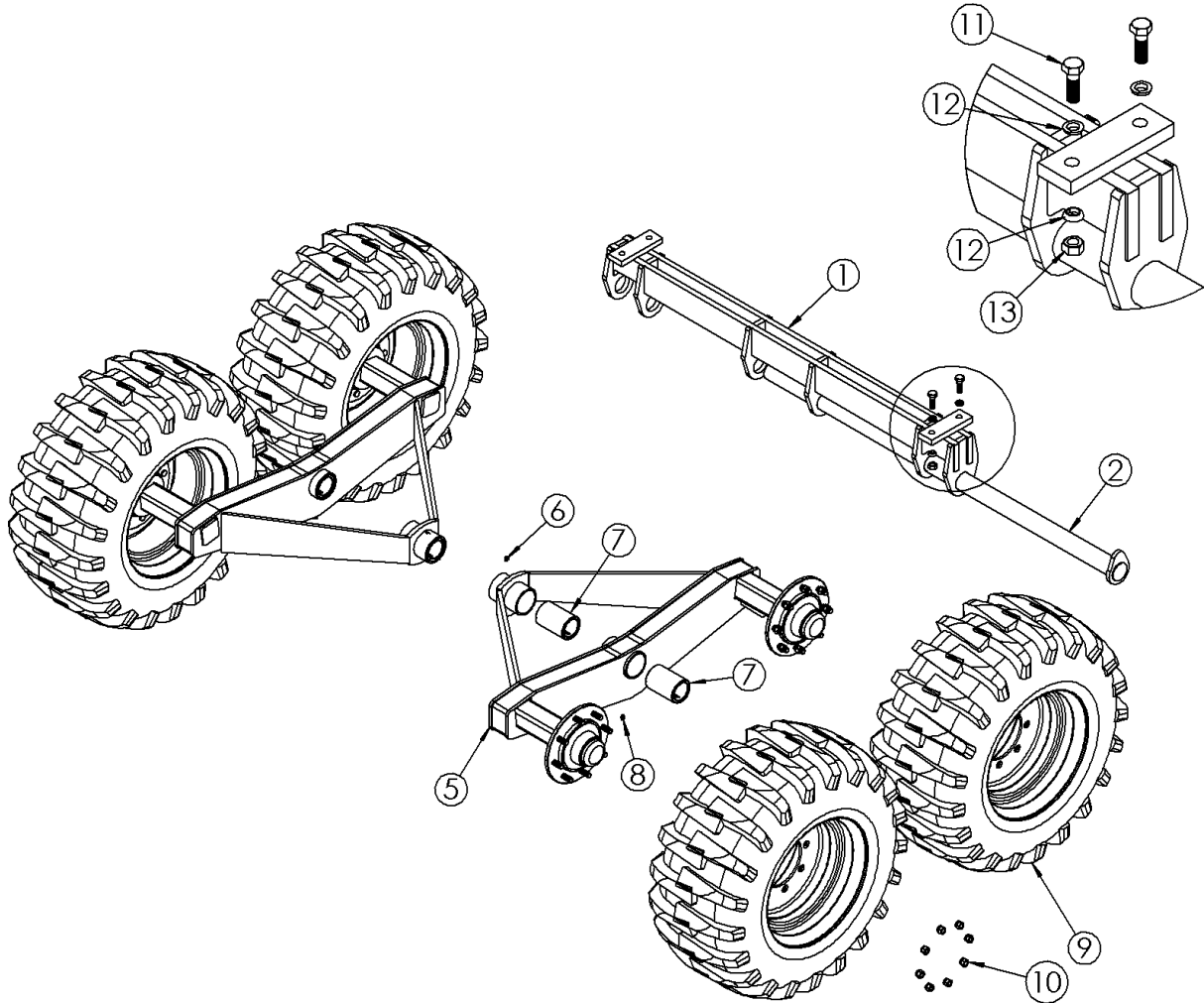
Item	Part Number	Description	Quantity Used
1		Main Chassis	1
2	575-0079-1	Rear FLR Center SHFT Guard-RF-4CHN	1
3	575-0078-1	Rear FLR SHFT Guard-RF-4 CHN	2
4	575-0069-1	Rear FLR Outer SHFT GRD - 4CH	2
5	571-0087-1	Box adjuster	4
6	596-1025	Threaded Adjuster	4
-	N20	Nut, M20 (included with #6)	8
7	571-0046-1	Adjuster frame	1
8	625-0038	Spacer Bush 60x35	2
9	615-2058	Deadeye Housing, 1 Leg c/w bush	3
-	WASG16	Washer, Spring M16	4
-	N16	Nut, M16	4
-	B16x40	Bolt, M16x40	4
10	GRN8-ST	Grease Nipple, M8x1.0	3
11	210-0032	Sprocket 6 Teeth, 60mm Bore c/w plate	4
12	211-0123	Square Drive Plate, Weld On (incl. with #4)	4
13	510-1309	Floor Shaft - 60mm HT	1
14	SK20x13	Key, Parallel 20 x 13 x 100mm	1
15	11532	SPACER 75X61X88	1
16	11525	Female Half Gearbox Coupling	1
17	11526	Male 55mm Half Gearbox Coupling	1
18	GBRT400-55	BERMA RT400-55 G/BOX 35.2:1 9159	1
19	HYM195-PT	Hydraulic Motor, 195cc, Painted	1
20	WASG12	Spring Washer 12mmX3mm ZP	2
21	B12X35	BOLT & NUT 12 X 35	2
22	12291-3	RF25 Rear Floor Drive Hanger	2
23	11514-1	RF25 Rear Floor Drive Main Mount	1
24	TIMBER150X40TG	Timber T & G	11

RF25 Brake Hose and Rams



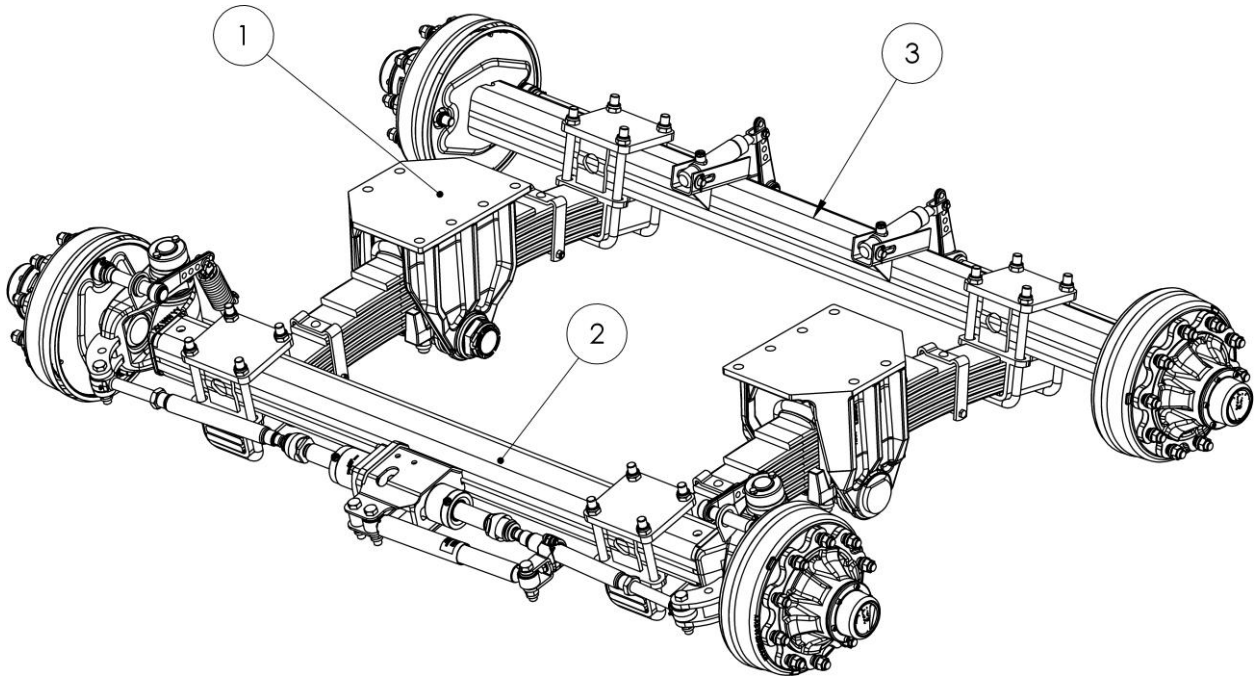
RF 25 4x Brake set up			
Item No	Part Number	Description	Quantity
A	RAMAX94125S-PT	Type A Brake Ram	4
B	RAMARD030/025-PT	Type B Brake Ram	4
1	12333	RF25-Main Brake hose QRC	1
1	12332	RF25-Main Brake hose BC	1
3	12334	RF25- Left Brake hose	1
2	12335	RF25-Right brake hose	1
-	12336	RF25-Axle Split brake hose	4
-	HYFQRC1/2M	1/2 CCS QRC-MALE END	1
-	HYFQVF-F06X	BRAKE COPPLING	1

Tandem Axle Assembly RF25



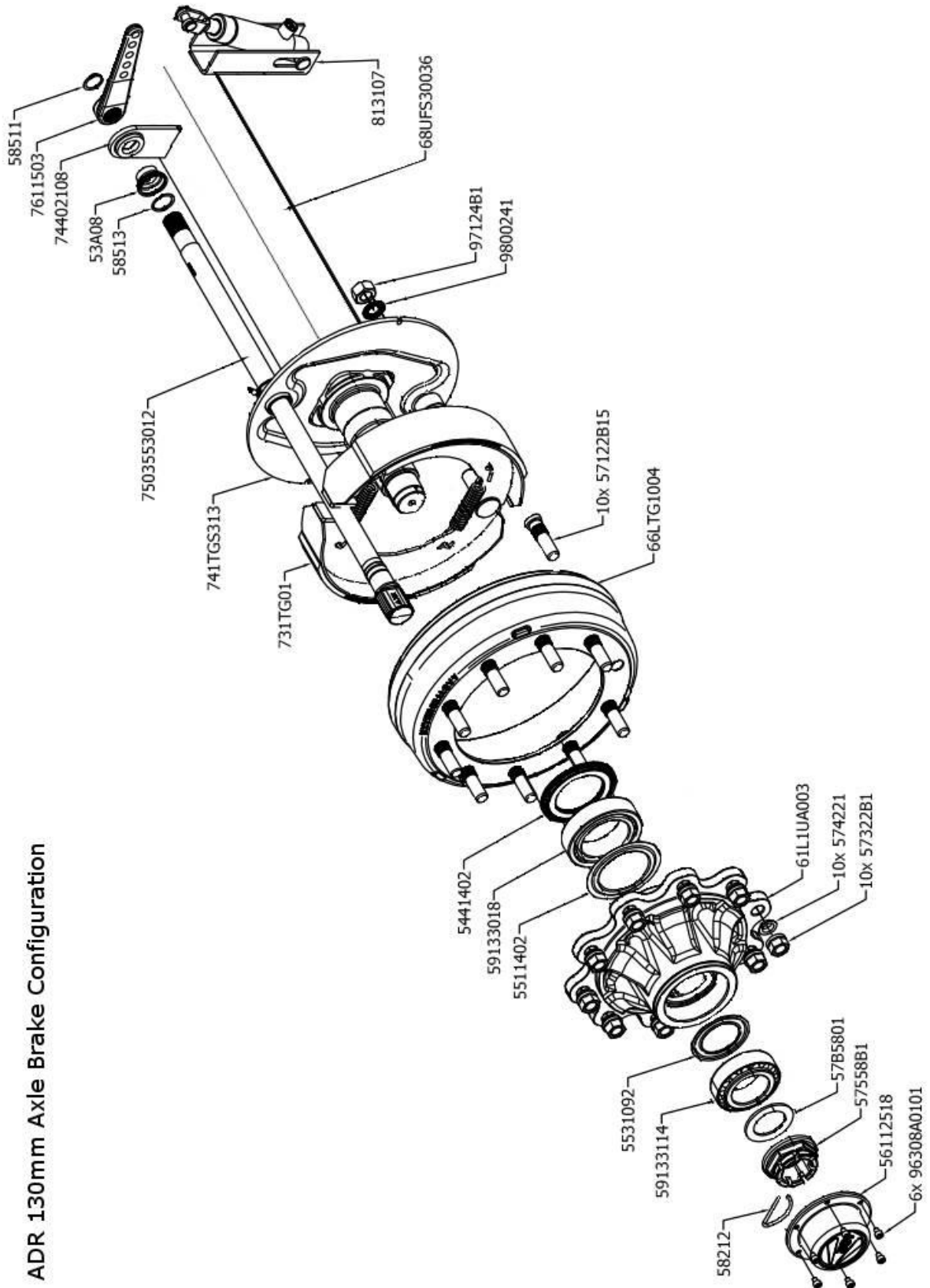
Item	Part Number	Description	Quantity Used
1	110-0560	Axle Beam	1
2	110-0520	Axle Pivot Shaft	1
5	110-0269	Hub Mount	2
6	GRN1/8-90	Grease Nipple, 1/8" BSP 90deg	2
7	110-0114	Plastic Bush 3"x4" @ 150mm	4
8	GRN1/8-90	Grease Nipple, 1/8" BSP 90deg	2
9	WHLA400R22.5-8	Wheel Assembly 400/70R22.5 8 STUD	4
10	110-0919	Wheel Nut, M20x1.5	32
11	B20x70	Bolt, M20x70	4
12	S51245	Washer, Conical M20	4
13	N20	Nut, M20	4

ADR 21.5T Sprung Bogie



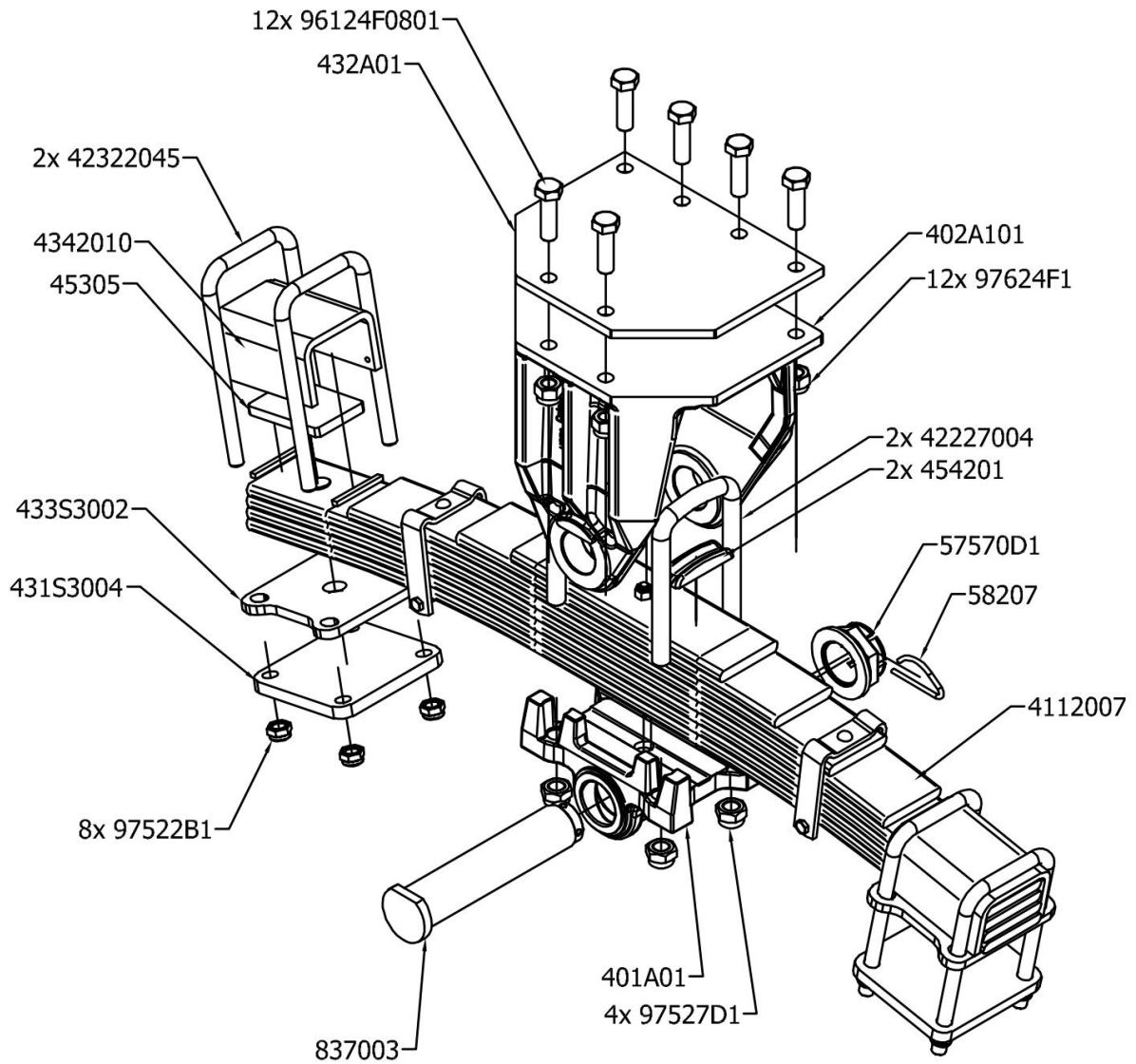
Item	Part Number	Description	Qty
1	SPA21.5T-4/1	21.5t Bogie Axle Springs(Set)8 Leaves (1360mm Axle Centres)	2
1	SPA21.5T-4	21.5T BOGIE AXLE SPRINGS(SET)9 LEAVES (1500mm Axle Centres)	2
2	SPA21.5T-5	21.5t 130mm Plain Axle/Hyd Brakes	-
3	SPA21.5T-6	21.5t 130mm S/Steering Axle/Hyd Brakes	-

ADR 130mm Axle Brake Configuration

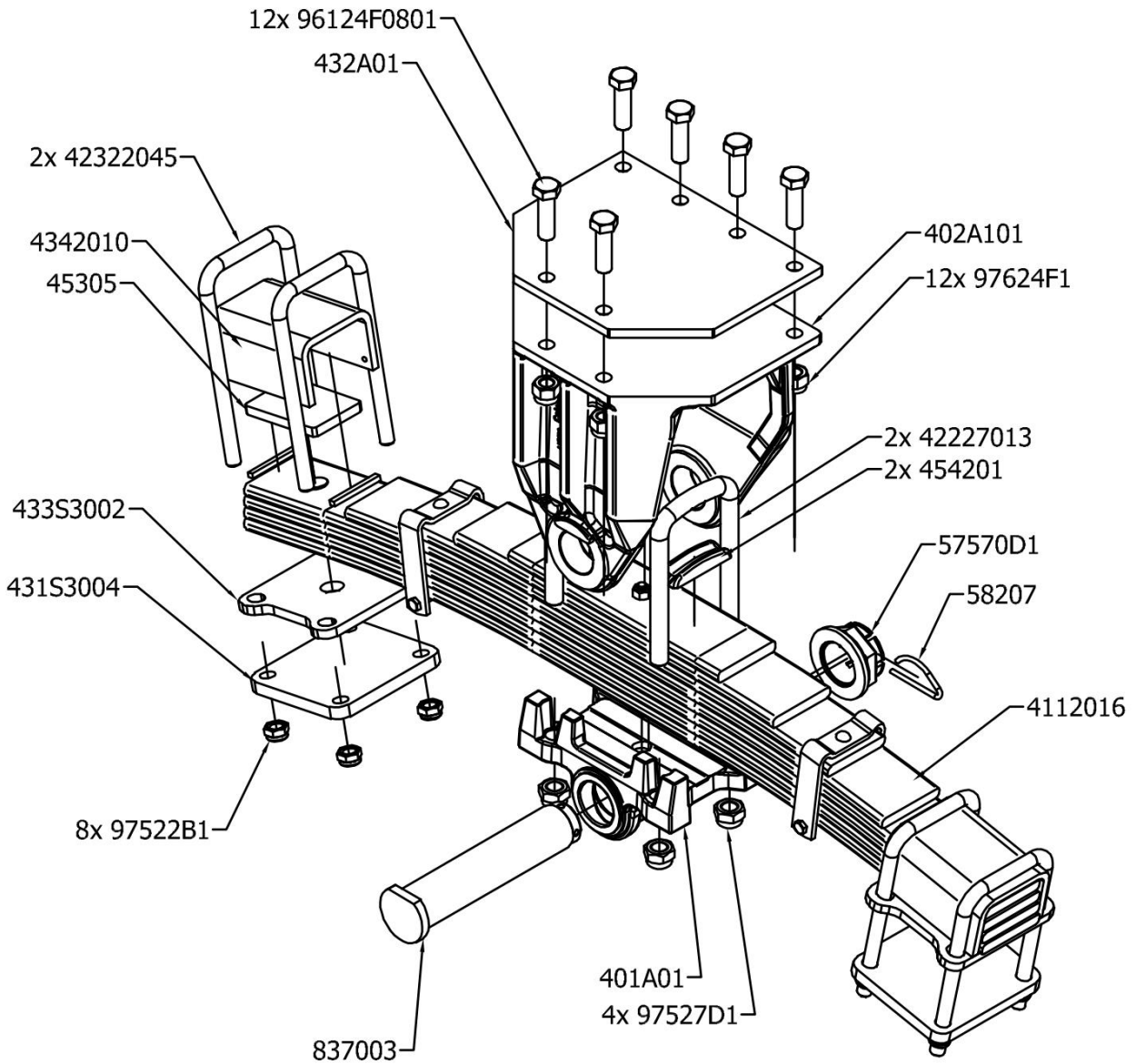


ADR 130mm Axle Brake Configuration

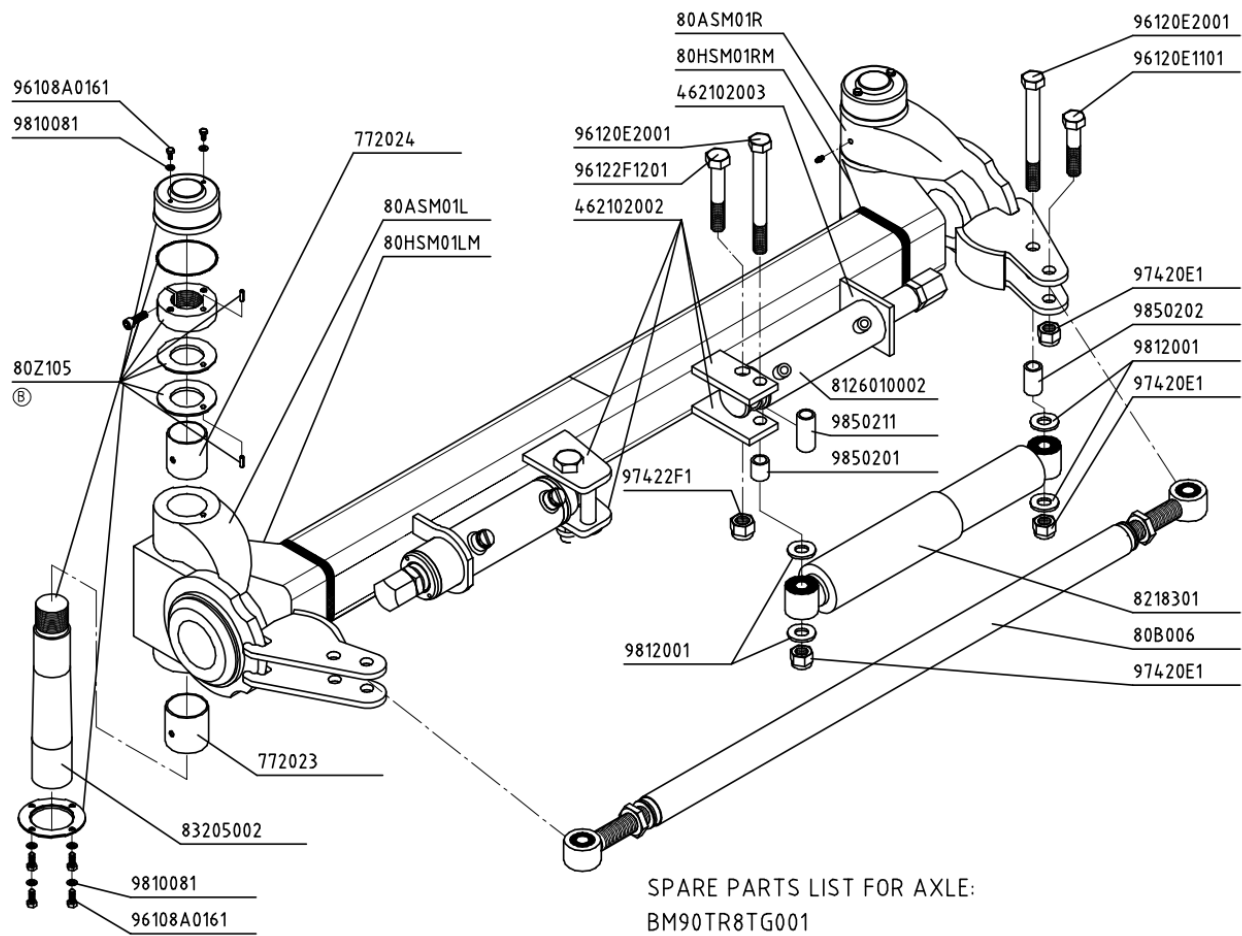
ADR 1360 8 Leaf Bogie



ADR 1500 9 Leaf Bogie



ADR Steering Axle Assembly



Steering Axle parts list

BM90TR8TG001		
Component	Description	Link Quantity
96120E1101	SCREW EH M20X2,50 L110 CA08,8	2
96108A0161	SCREW EH M08X1,25 L016 CR08,8	10
9810081	WASHER M08 D008,4 D016 TK1,6	10
80Z105	ASSEMBLY FOR RING-NUT SM	2
98608A2	GREASE NIPPLE 45° M08X1.25	4
80B006	COUPLING BAR L1890-2189	1
8218301	SHOCK ABSORBER D080 S241	1
9.74E+05	SELF LOCKING NUT M20X2.50 CA8	2
9812001	WASHER D020.5 D050 TK 4.0	4
9850201	SPACER D020.5/038 L032	1
9850202	SPACER D020.5/038 L045	1
9850211	SPACER D021/26.9 L060	1
96120E2001	SCREW EH M20X2,50 L200 CA08,8	2
8126010002	HYDR CYLINDER D060/040 S100	2
97422F1	SELF LOCKING NUT M22X2,50 CA8	2
96122F1201	SCREW EH M22X2,50 L120 CA08,8	2
80ASM01R	OUTER ARM RG COMPLETE 10 SM	1
80ASM01L	OUTER ARM LF COMPLETE 10 SM	1
741TG9015	BRAKE SUPPORT 408E S090	2
7503552006	CAM SHAFT D35 B0225 FLAT	2
58513	SEEGER D038 DIN471 FOR SHAFT	2
58511	SEEGER D032 DIN471 FOR SHAFT	2
97124B1	NUT M24X1.50 DIN 934	2
53A08	RUBBER CAP FOR CAM SHAFT Ø35	2
9800241	TWIN WASHER M24	2
74402752	SUPPORT STN B4SM 408E LEFT	1
74402652	SUPPORT STN B4SM 408E RIGHT	1
468002	ASSEMBLY SUPPORT PLATES	2
80HSM01LM	INNER ARM LF MACHINED SM 10	1
80HSM01RM	INNER ARM RG MACHINED SM 10	1
59132213	32213 065 120 32.75	2
59132216	32216 080 140 35.25	2
57120B12	STUD M20X1,50 L083	16
61L8TD004	HUB H08 20 120-140 220-275	2
98608A1	GREASENIPPLE STRAIGHT M08X1.25	2
5471403	GREASE SEAL INDUSTRIAL 082/140	2
66LTG0801	DRUM 400X080 H08 20 275-220	2
731TG01	BRAKE ASSEMBLY 400X080 408E	2
56112518	CAP 125 BOLT ON ADR	2
57548B6	CROWN NUT M48X1.50 WR65 H44	2

RF Forage Wagon Operating Manual

BM90TR8TG001		
Component	Description	Link Quantity
58209	SPRING PIN FOR NUT M48	2
96308A0101	SCREW SH M08X1,25 L010	12
7611503	LEVER 35 BNA FIXED	2
462121002	PLATE TK12 S235JR EN10025	2
813104	ASSEMBLY CYLIND D030/025 S110	2
574201	LIMES WASHER FOR M20	16
57320B1	STUD NUT M20X1.50 WR30	16

Notes: